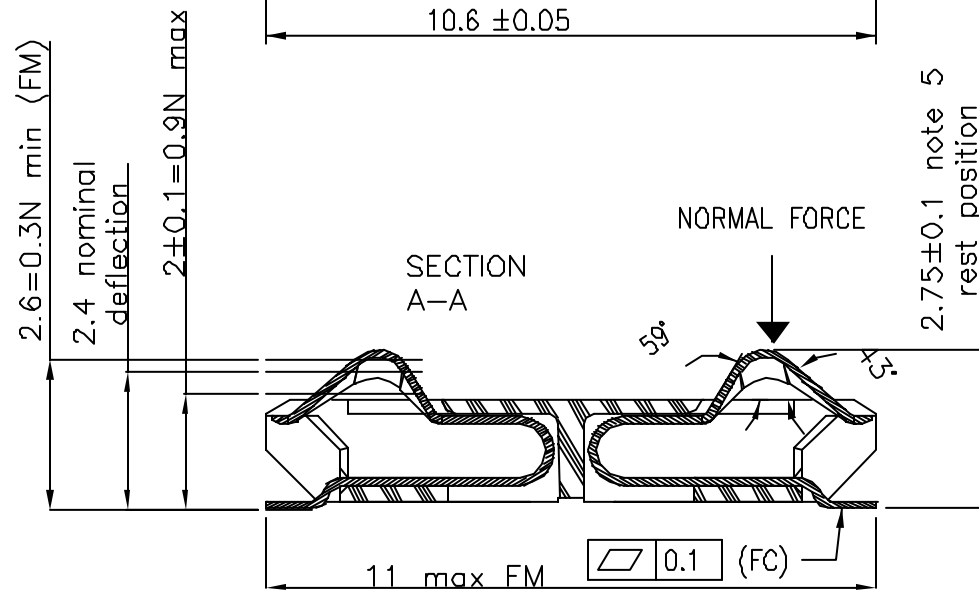
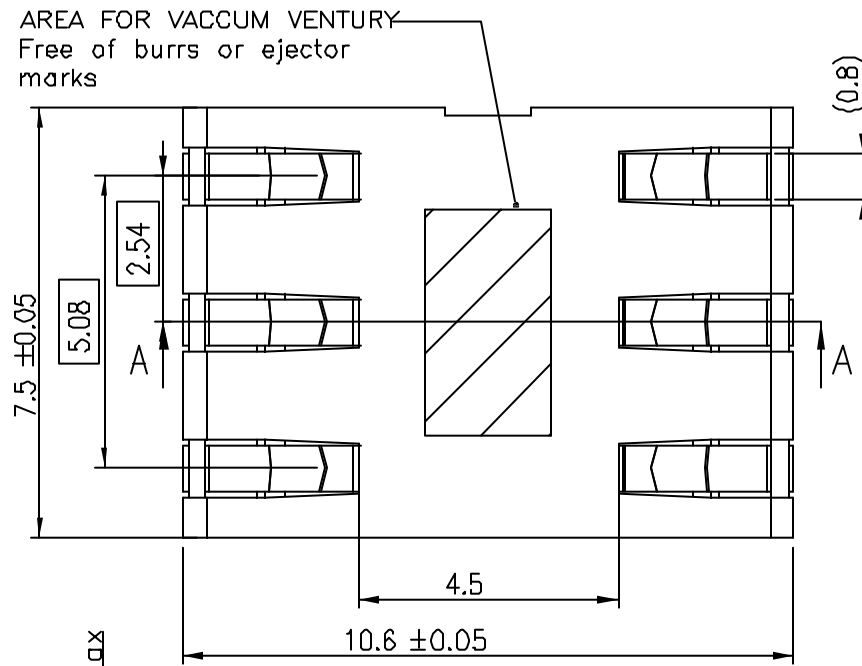
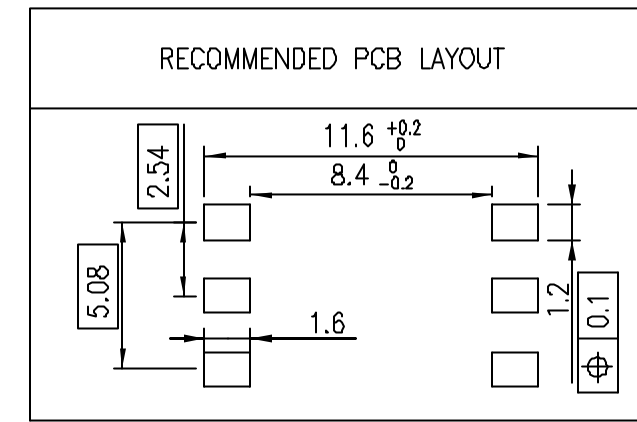
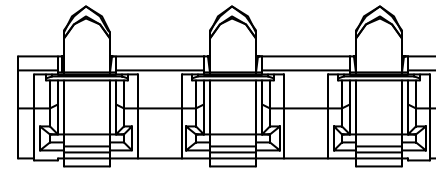
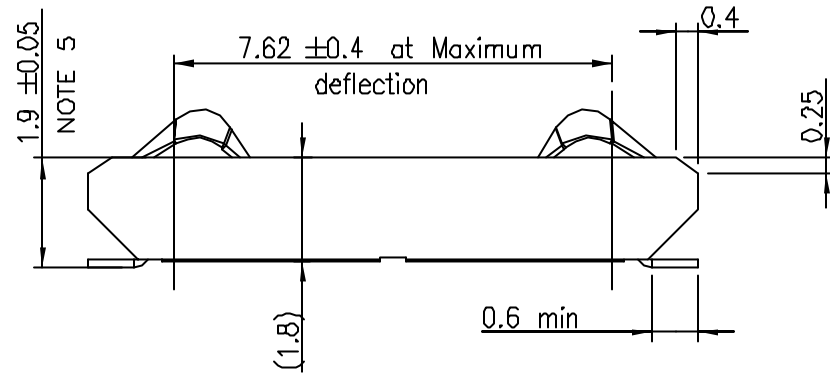


PRODUCT NUMBER  
10062191-101LF

RoHS COMPLIANT  
NOTE 6



**Notes:**

FM = major parameter  
FC = critical parameter

**1 - Mechanical properties**

Housing material : LCP plastic, natural colour

Terminal material : Phosphor Bronze

Plating :

- Nickel all over
- 0.5micron Au on contact area (FC)
- Tin on solder area, Bare edge allowed

Durability : 2000 mating cycles

Contact force : 0.3N pre-loading, 0.9N max at 2mm after double reflow (after one cycle)

**2 - Electrical properties**

Contact resistance : < 30mΩ initial value, <50mΩ after cycling

Insulation resistance : > 1000MΩ

Dielectric withstanding voltage : > 1000Vrms

Current carrying capacity : min 10microA to 1A max

**3 - Environment**

Storage temperature range : -40°C to +85°C

Operating temperature range : -20°C to +70°C

Compatible reflow soldering process

**4 - Packaging**

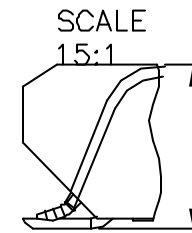
Tape and Reel : 2000pcs

**5 - Forces measured after 1 cycle & 3 soldering reflows**

- 1.9±0.05 after 1 cycle & 3 soldering reflows
- 2.75±0.02 after 1 cycle & 3 soldering reflows.

6 - Product meets EU Directive 2002/95/EC and other regulations as described in GS-22-008.

7 - Product specifications per GS-12-360.



Max. deflection = contact inside housing without plastic deformation of the contact

mat'l. code				tolerances unless otherwise specified			CUSTOMER COPY		<b>ELECTRONICS</b> www.fciconnect.com	
ltr	ecn no	dr	date	Linear	projection			title		
A	05-0259	LMU	05.10.12					SIM CONNECTOR		
				angles	mm			product family SIM		
				dr LMU 05.10.12				code		
				enr JCO 05.10.12	scale			213		
				chr	1:1			sheet		
				app COMPAGNON 05.10.12	A3			1 of 1		
sheet index	revision sheet									

Tous droits strictement réservés. Reproduction ou communication à des fins autres que celles autorisées sans la permission écrite de FCI Electronics S.A. Toute réimpression est formellement interdite.

All rights strictly reserved. Reproduction or issue in third parties in any form without the written permission of FCI Electronics S.A. Copyright © FCI Electronics S.A.