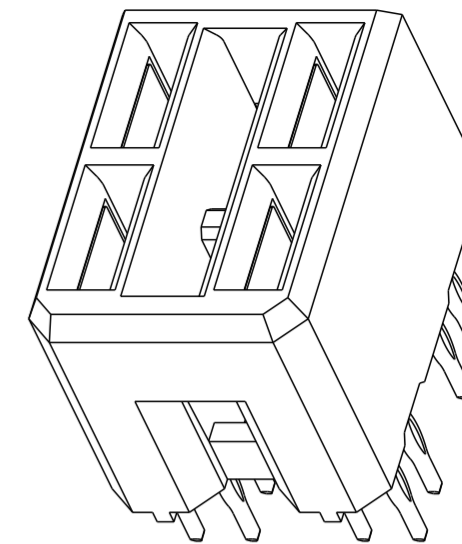
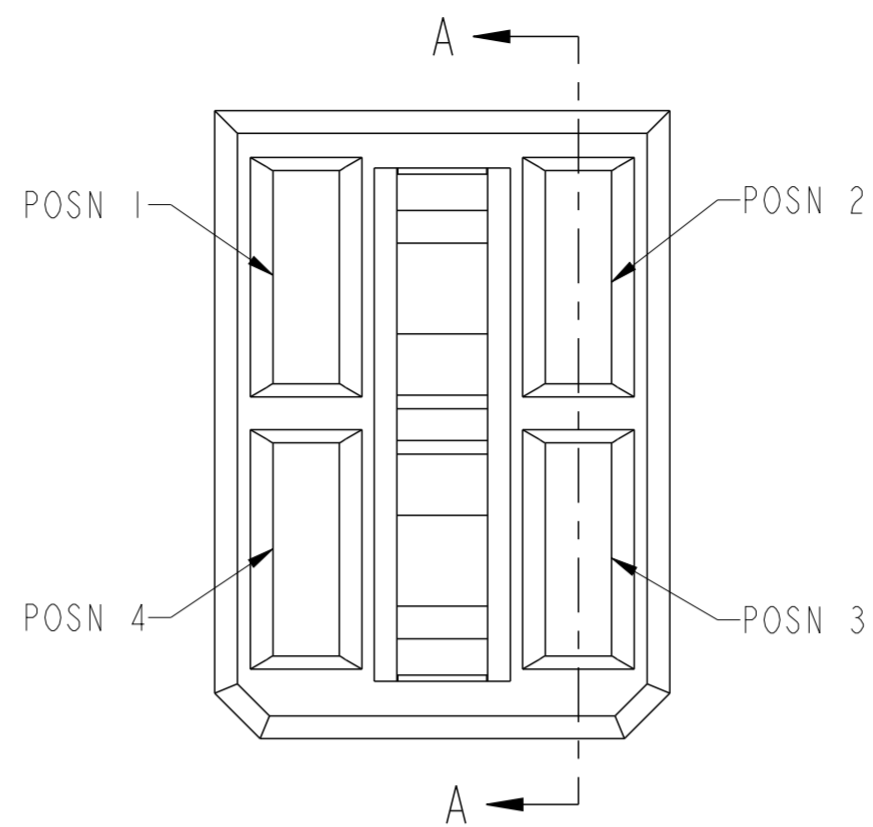
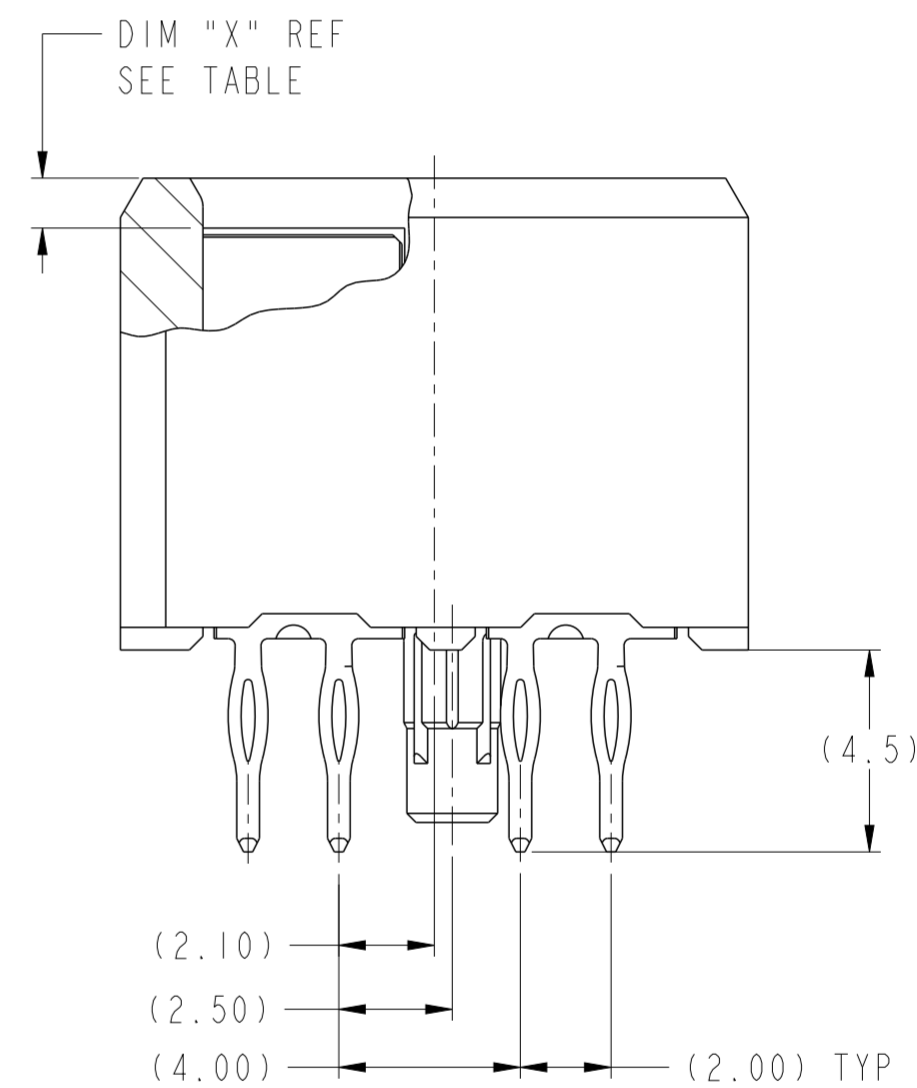
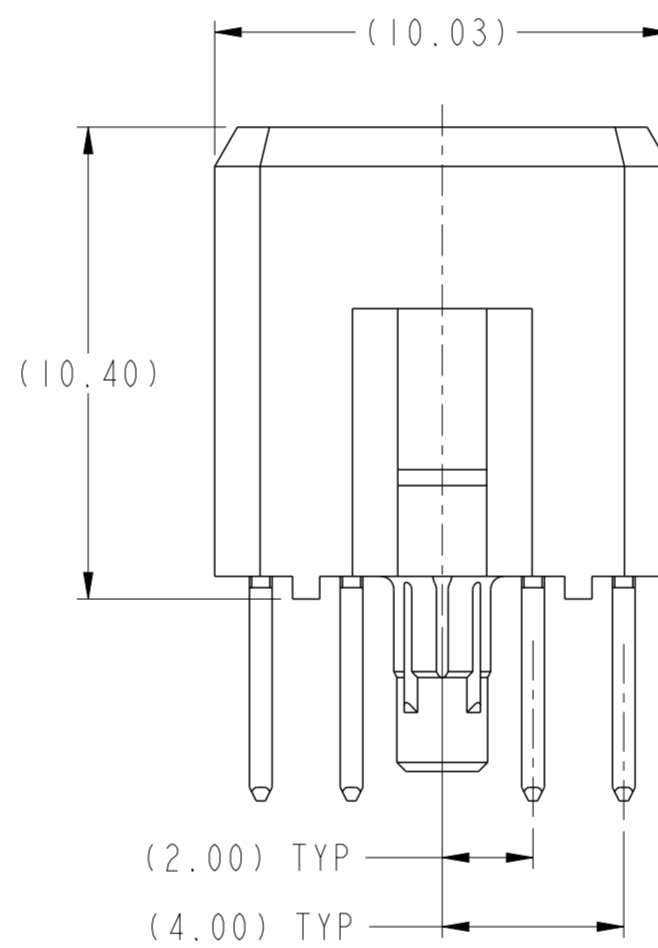
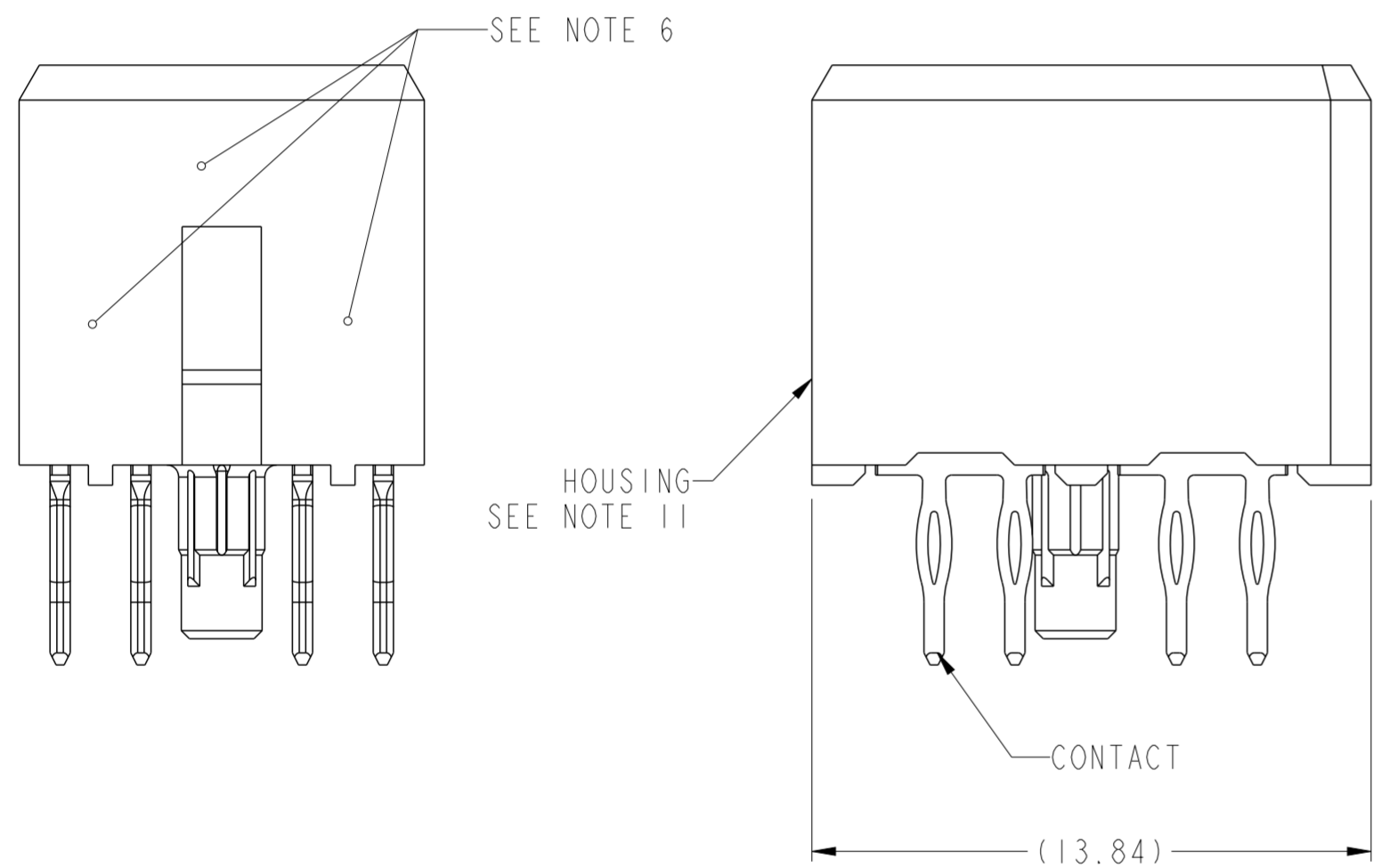


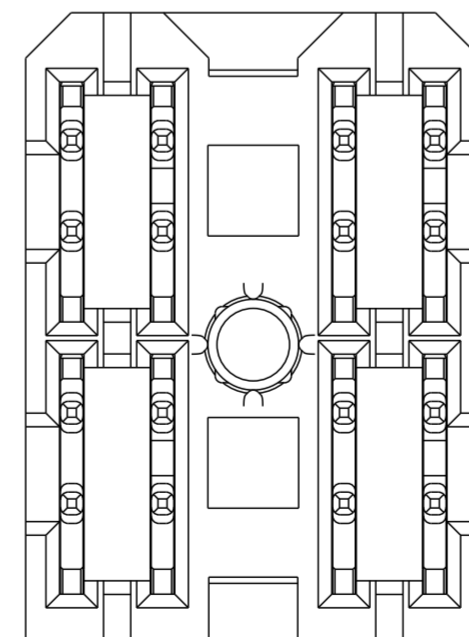
PRODUCT NUMBER ("LF" DENOTES LEAD-FREE)	CONTACT PLATING NOTE	MATING LENGTH, DIM "X"				ROHS COMPATIBILITY
		POSN 1	POSN 2	POSN 3	POSN 4	
10098549-4444P00LF	3	1.10	1.10	1.10	1.10	SEE NOTE 9



SCALE 4:1



SECTION A-A



spec ref	GS-12-220	dr	Chen-Hong Tan	2009/03/23	projection	MM	size	A2	scale	6:1
tolerance std	ASME Y14.5	eng	Jackie Chen	2015/08/17			ecn no	ELX-DG-21664-1		
TOLERANCES UNLESS OTHERWISE SPECIFIED		chr					product family	2mm High Power	rel level	Released
surface	3/2	appr	Pei-Ming Zheng	2015/08/17	title		2x2 VERTICAL RECEPTACLE ASSY	10098549	rev	B
ASME Y14.5	angular	0°	±2°	0.X ±.3	0.XX ±.1	0.XXX ±.05	www.fci.com	cat. no.	Product - Customer Drw sheet 1 of 2	

PDS: Rev :B

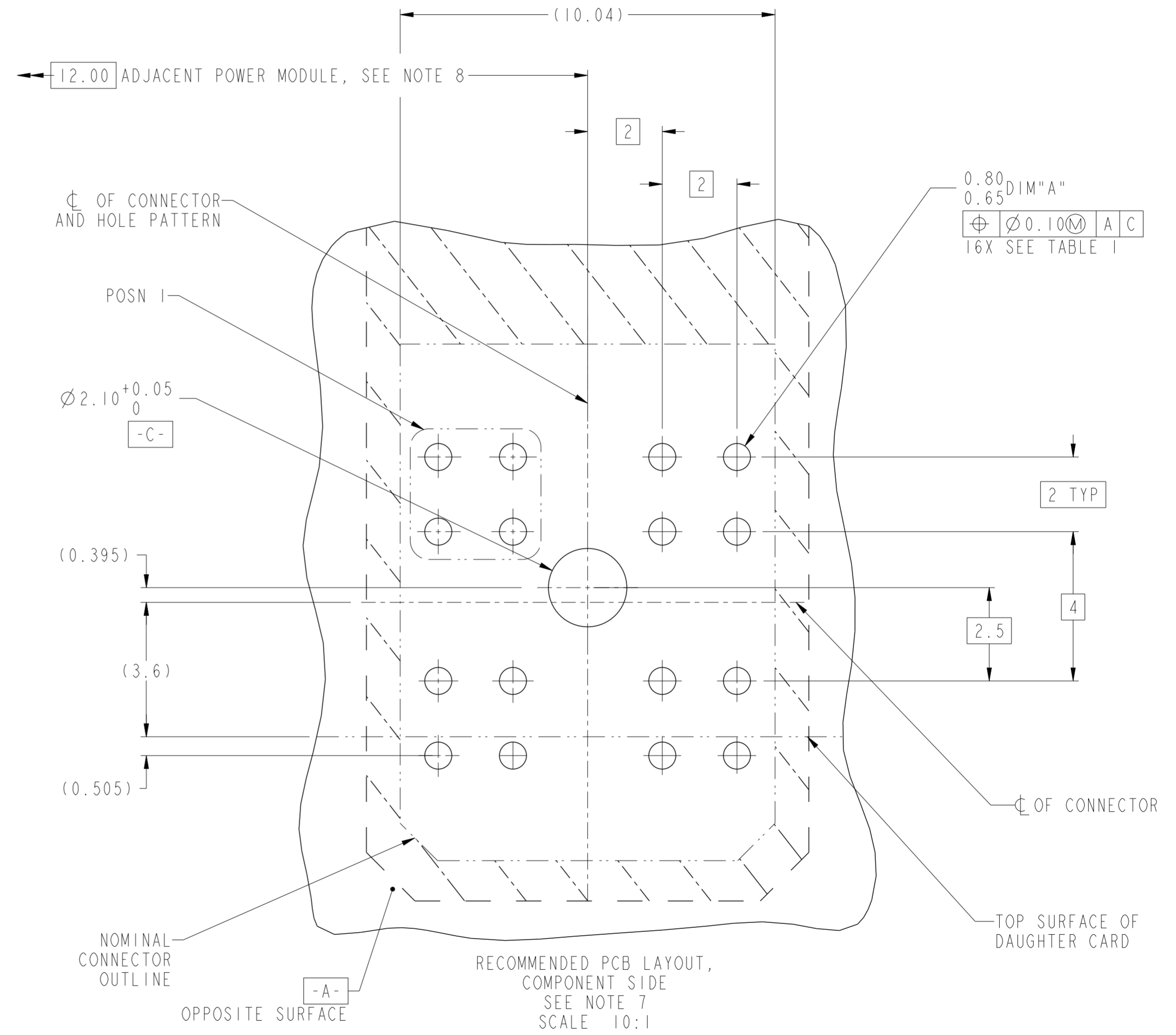
STATUS:Released

Printed: Aug 18, 2015

TOP LAYER DESCRIPTION	TABLE 1 PLATED THROUGH-HOLE REQUIREMENTS							
	DRILLED HOLE DIAMETER	COPPER THICKNESS	TIN-LEAD THICKNESS	NICKEL THICKNESS	GOLD THICKNESS	TIN THICKNESS	SILVER THICKNESS	FINISHED HOLE DIAMETER
TIN-LEAD	0.81-0.86 (0.85 DRILL)	0.025 - 0.050	0.005 - 0.015	--	--	--	--	0.65 - 0.80
IMMERSION TIN	0.81-0.86 (0.85 DRILL)	0.025 - 0.050	--	--	--	0.9 - 1.5um	--	0.70 - 0.80
IMMERSION SILVER	0.81-0.86 (0.85 DRILL)	0.025 - 0.050	--	--	--	--	0.15 - 0.65um	0.70 - 0.80
COPPER (SEE NOTE 12)	0.81-0.86 (0.85 DRILL)	0.025 - 0.050	--	--	--	--	--	0.70 - 0.80
GOLD	0.81-0.86 (0.85 DRILL)	0.025 - 0.050	--	0.003 - 0.007	FLASH UP TO 0.0002	--	--	0.69 - 0.80

NOTES:

- CONNECTOR MATERIALS:  
HOUSING: HIGH TEMPERATURE THERMOPLASTIC, BLACK  
UL 94V-0 COMPLIANT  
CONTACT: HIGH PERFORMANCE COPPER ALLOY
- CONTACT PLATING:  
PRESS-FIT TAIL: NOT APPLICABLE  
SEPARABLE INTERFACE: NOT APPLICABLE
- CONTACT PLATING (LEAD-FREE):  
PRESS-FIT TAIL: 0.5um MIN MATTE TIN OVER NICKEL.  
SEPARABLE INTERFACE: 0.76um MIN GXT OVER NICKEL.
- PRODUCT SPECIFICATION: GS-12-220
- APPLICATION SPECIFICATION: GS-20-023
- PRODUCT MARKING (PRODUCT NUMBER & LOT CODE) ON HOUSING IN AREA SHOWN, EITHER SIDE.
- MINIMUM NOMINAL BOARD THICKNESS: 2.4mm
- REFER TO CUSTOMER DRAWING SKI0035911 FOR INFORMATION REGARDING PCB LAYOUT OF POWER AND GUIDE MODULES RELATIVE TO AIRMAX SIGNAL MODULES.
- PRODUCT MEETS EUROPEAN UNION DIRECTIVES AND OTHER COUNTRY REGULATIONS AS DESCRIBED IN FCI SPECIFICATION GS-22-008.
- PACKAGING MEETS FCI SPECIFICATION GS-14-920
- HOUSING COMPONENT WILL WITHSTAND EXPOSURE TO 260° PEAK TEMPERATURE FOR 60 SECONDS IN A CONVECTION, INFRA-RED OR VAPOR-PHASE REFLOW OVEN.
- COPPER PLATING THICKNESS AT CENTER OF VIA HOLE CAN BE NO MORE THAN 0.003 LESS THAN OTHER AREAS.
- A  $\triangle B$  SYMBOL WILL BE NEXT TO ANY DIMENSION, VIEW OR NOTE WHICH HAS BEEN MODIFIED WITH THE CURRENT DRAWING REVISION



spec ref	GS-12-220	dr	Chen-Hong Tan	2009/03/23	projection	MM	size	A2	scale	3:1
tolerance std	ASME Y14.5	eng	Jackie Chen	2015/08/17	chr	-	ecn no	ELX-DG-21664-1	rel level	Released
surface	✓	appr	Pei-Ming Zheng	2015/08/17	product family	-	rel level	Released	cat. no.	-
ASME Y14.5	linear	0.X	±.3	0.XX	±.1	0.XXX	±.05	angular	0°	±2°
FCI		www.fci.com		title		2x2 VERTICAL RECEPTACLE ASSY		AIRMAX POWER		cat. no.
Product		Customer Drw		sheet 2 of 2		10098549		rev		B

Copyright FCI. FCI