

1 2 3 4 5 6 7 8

REVISIONS		
ISS	ZONE	DESCRIPTION\PER REQUEST\DATE

F

E

D

C

B

A

F

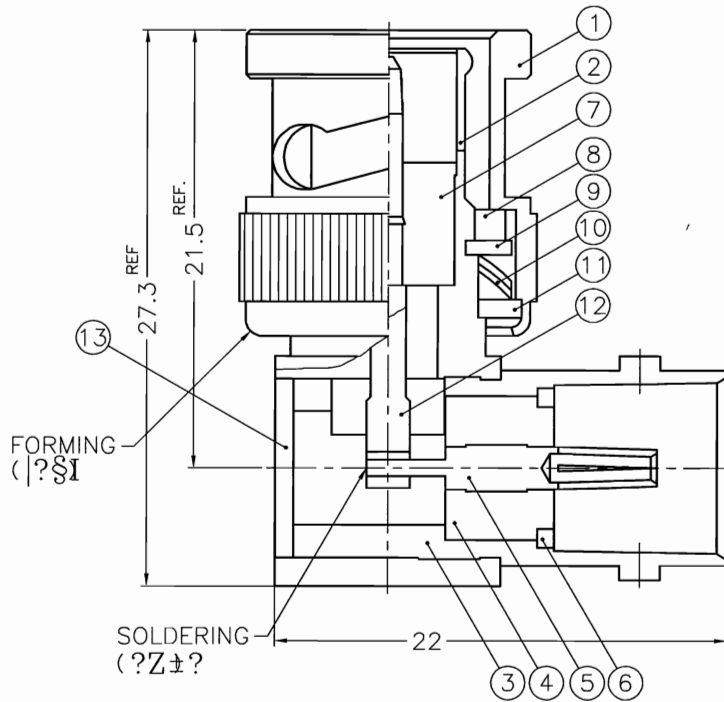
E

D

C

B

A



NOTES: FINISH (PLATING THICKNESS IN MICRO-INCHES)

- 1. BRASS PER QQ-B-626
- 2. BRASS PER QQ-B-613
- 3. NICKEL PL. 100 MIN. THICK OVER COPPER STRIKE
- 4. NICKEL PL. 200 MIN. THICK OVER COPPER STRIKE
- 5. PHOSPHOR BRONZE PER QQ-B-750
- 6. GOLD PL. 3 MIN. THICK OVER NICKEL PL. 100 MIN. THICK OVER COPPER STRIKE

13	COVER	NOTE 2	NOTE 3	1	CV-895X07-T
12	CONTACT PIN	NOTE 1	NOTE 6	1	B5091-6-75-B
11	WASHER	NOTE 2	NOTE 3	1	WS-128/9X08
10	SPRING	SK5	NOTE 4	2	B50000-6
9	RETAINER RING	NOTE 1	NOTE 3	1	B50000-5
8	GASKET	RUBBER	RED	1	GS-115/8X15
7	INSULATOR	DELTRIN	NATURAL	1	B5091-5-75-B
6	LOCK RING	NOTE 1	NOTE 3	1	LR-79/62X08
5	CONTACT PIN	NOTE 5	NOTE 6	1	B5990-5
4	INSULATOR	DELTRIN	NATURAL	1	B5990-4-75
3	BODY	NOTE 1	NOTE 3	1	B5990-3
2	HOUSING	NOTE 1	NOTE 3	1	B7996-2
1	SHELL	NOTE 1	NOTE 3	1	B50000-1-B
NO.	DESCRIPTION	MATERIAL	FINISH	Q'TY	DRAWING NO.

DIMENSIONS ARE IN MILLIMETERS  
UNLESS OTHERWISE SPECIFIED TOLERANCES

0.5-6	= ±0.2
6-30	= ±0.4
30-120	= ±0.6
120-315	= ±1
315-1000	= ±1.6
1000-2000	= ±2.4

PART NO. <b>112452</b>	
015072AAB00ND7F	
APPROVED	DATE 12-06-99'
CHECKED	DATE 12-06-99'
DRAWN	DATE 12-06-99'

<b>Amphenol - Kai Jack</b>	
TAINAN TAIWAN	
TITLE BNC MALE TO FEMALE R/A ADAPTOR	
DRAWING NO. <b>KJ-B5072A1-ND3G-75</b>	
FILE NO. F:\DWG\B\5072A1\75\ND3G	

1 2 3 4 5 6 7 8