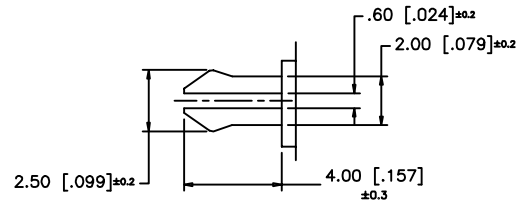
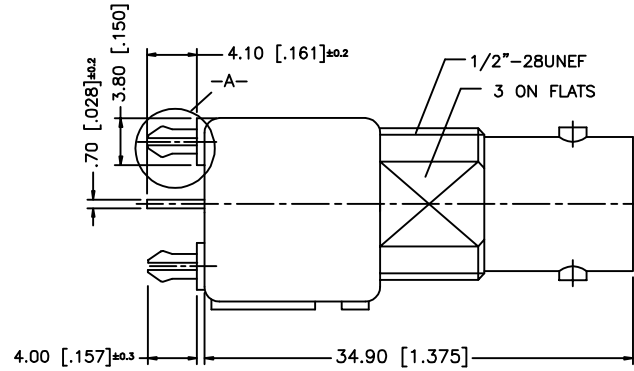
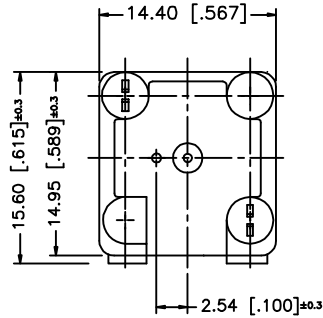
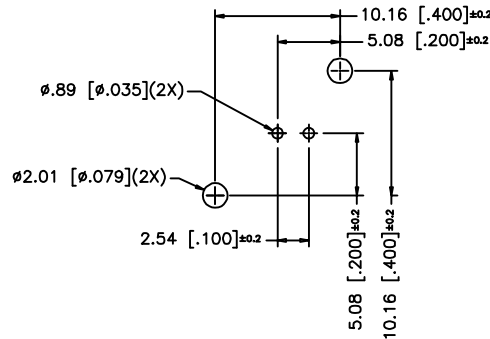


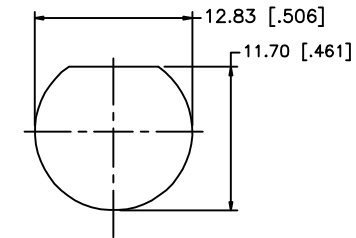
| REV. | DATE | ECR NO | DESCRIPTION |
|------|----------|--------|---|
| NC | 05/07/98 | -- | INITIAL RELEASE |
| A | 07/28/06 | -- | REVISE PCB MOUNTING LEGS, UPDATE DRAWING FORMAT |
| B | 02/17/10 | 2012 | HARDWARES REMOVED |



DETAIL -A-
(2X SCALE)



PCB MOUNTING HOLES



RECOMMENDED
MOUNTING HOLE

| DESCRIPTION | MATERIAL | FINISH | UNLESS OTHERWISE SPECIFIED DIMENSIONS ARE IN MILLIMETERS | APPROVALS | DATE | Amphenol Connex | | | | |
|---------------|--------------|---------|---|-----------|----------|--|----------|------------|--------|--------|
| 1 BODY | DIE CAST | NICKEL | DIMENSIONS IN [] ARE IN INCHES FOR CUSTOMER REFERENCE ONLY | DRAWN | 02/17/10 | TITLE BNC STRAIGHT PC MOUNT RECEPT. JACK 50 ohm | | | | |
| 2 INSULATOR | P.P. | NATURAL | | CHECKED | | | | | | |
| 3 CONTACT PIN | PHOS. BRONZE | GOLD | UNLESS OTHERWISE SPECIFIED TOLERANCES FOR MILLIMETERS ARE: 0.5-6 = ± 0.2 6-30 = ± 0.4 30-120 = ± 0.6 120-315 = ± 1 315-1000 = ± 1.6 1000-2000 = ± 2.4 | ISSUED | | SIZE | FSCM NO. | DWG. NO. | REV. | |
| 4 | | | | | | A | 99001 | 112488.DWG | B | |
| 5 | | | | | | SCALE | NA | PART NO. | 112488 | SHEET |
| 6 | | | | | | | | | | 1 OF 1 |
| 7 | | | | | | | | | | |
| 8 | | | DO NOT SCALE DRAWING | | | | | | | |