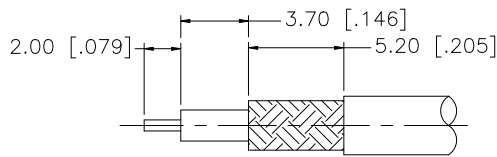
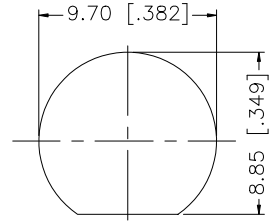


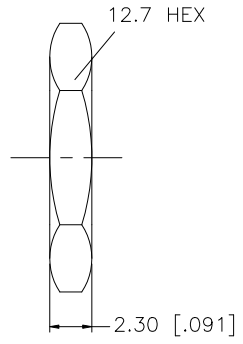
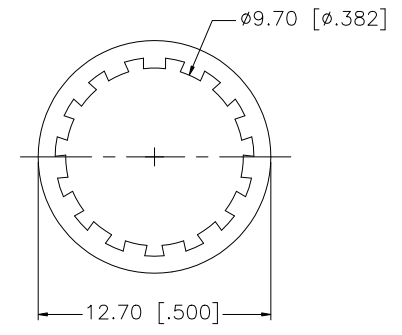
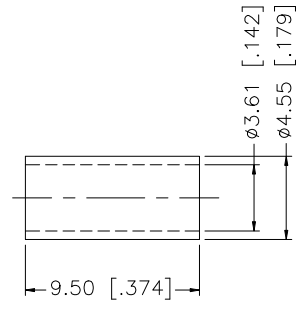
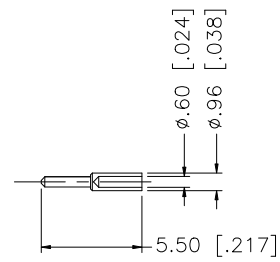
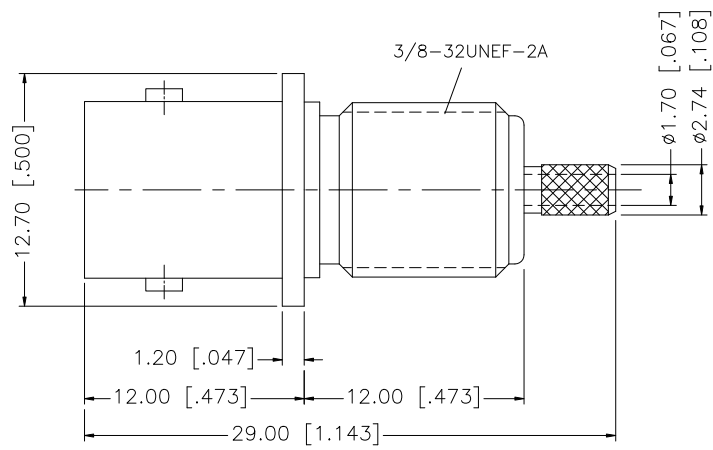
REV.	DATE	DESCRIPTION
NC	07/23/99	INITIAL RELEASE
A	05/01/04	UPDATE DRAWING FORMAT
B	10/19/06	ADD CABLE DESCRIPTION, MODIFY NOTE 2
C	11/25/07	REVISE BARREL AND FERRULE DIAMETERS, MODIFY NOTE 1 AND 2



RECOMMENDED CABLE STRIPPING DIMENSIONS



RECOMMENDED MOUNTING HOLE



CRIMP NOTES:

1. CRIMPED FERRULE HEX CRIMP SIZE .151"
2. CENTER CONTACT TO SOLDER
3. MAX. PANEL THICKNESS = 7.0mm

DESCRIPTION	MATERIAL	FINISH	QTY
8			
7	FERRULE	COPPER	NICKEL 1
6	HEX NUT	BRASS	NICKEL 1
5	LOCK WASHER	BRASS	NICKEL 1
4	CONTACT PIN	BRASS	GOLD 1
3	CONTACT PIN	PHOS. BRONZE	GOLD 1
2	INSULATOR	TEFLON	NATURAL 1
1	BODY	BRASS	NICKEL 1

UNLESS OTHERWISE SPECIFIED DIMENSIONS ARE IN MILLIMETERS. DIMENSIONS IN [] ARE IN INCHES AND FOR CUSTOMER REFERENCE ONLY.

UNLESS OTHERWISE SPECIFIED TOLERANCES FOR MILLIMETERS ARE:
0.5 - 8mm ± 0.20mm
8 - 30mm ± 0.40mm
30 - 120mm ± 0.50mm

UNLESS OTHERWISE SPECIFIED TOLERANCES FOR INCHES ARE:
.020 - .315 = ± 0.007"
.315 - 1.180 = ± 0.015"
1.180 - 4.724 = ± 0.020"

DO NOT SCALE DRAWING

APPROVALS	DATE
DRAWN G.R.S.	11/25/07
CHECKED	
ISSUED	
SHEET 1 OF 1	
CAD FILE C:/112/112634.DWG	

Amphenol Connex

PART DESCRIPTION
**BNC BULKHEAD CRIMP JACK
(FOR 316/U DOUBLE BRAID CABLE)**

PART NO.
112634

DWG. NO. 112634.DWG	REV. C	SIZE A	SCALE NA
---------------------	--------	--------	----------

Mouser Electronics

Authorized Distributor

Click to View Pricing, Inventory, Delivery & Lifecycle Information:

[Amphenol:](#)

[112634](#)