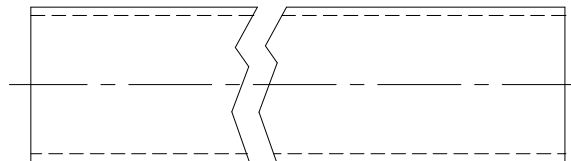
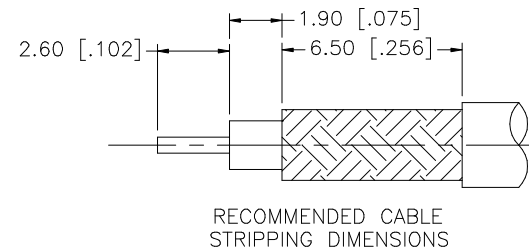
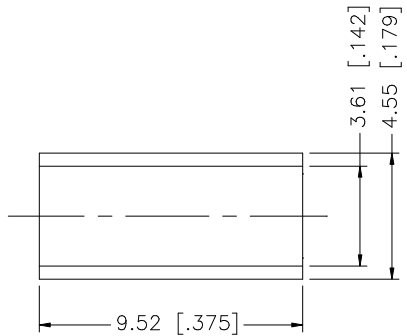
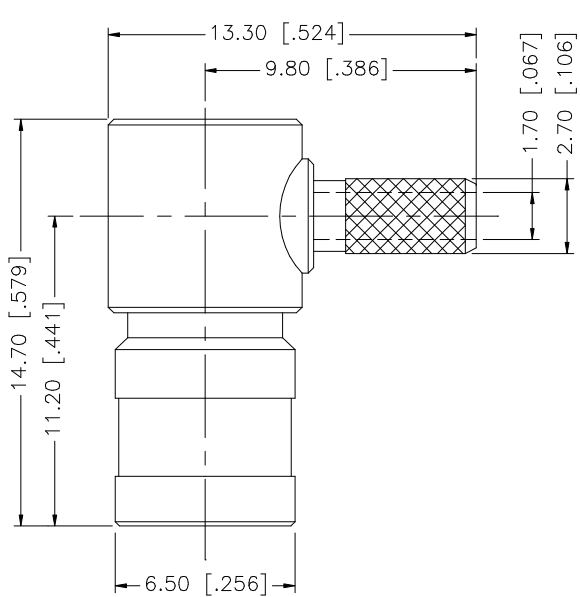
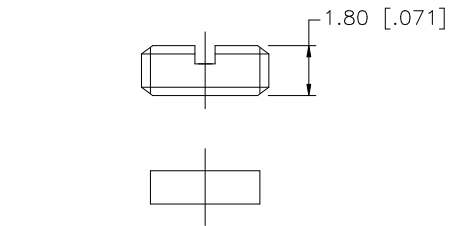


REV.	DATE	DESCRIPTION
NC	11/24/99	INITIAL RELEASE
A	07/20/05	UPDATE DRAWING FORMAT
B	05/02/07	REVISE BODY, BARREL, FERRULE AND STRIPPING DIMS



NOTES:

1. CRIMPED FERRULE HEX CRIMP SIZE .151"
2. CONTACT PIN TO SOLDER.

QTY	DESCRIPTION	MATERIAL	FINISH
1	BODY	BRASS	GOLD
1	INSULATOR	TEFLON	NATURAL
1	CONTACT PIN	BER. COPPER	GOLD
1	INSULATOR	PE	NATURAL
1	FERRULE	COPPER	GOLD
1	COVER	BRASS	GOLD
1	HEAT SHRINK TUBING		

UNLESS OTHERWISE SPECIFIED DIMENSIONS ARE IN MILLIMETERS. DIMENSIONS IN [] ARE IN INCHES AND FOR CUSTOMER REFERENCE ONLY.

UNLESS OTHERWISE SPECIFIED TOLERANCES FOR MILLIMETERS ARE:
0.5 - 8mm ± 0.20mm
8 - 30mm ± 0.40mm
30 - 120mm ± 0.50mm

UNLESS OTHERWISE SPECIFIED TOLERANCES FOR INCHES ARE:
.020 - .315 = ± 0.007"
.315 - 1.180 = ± 0.015"
1.180 - 4.724 = ± 0.020"

DO NOT SCALE DRAWING

APPROVALS	DATE
DRAWN G.R.S.	05/02/07
CHECKED	
ISSUED	
SHEET 1 OF 1	
CAD FILE C:/142/142176.DWG	

Amphenol Connex			
PART DESCRIPTION SMB R/A CRIMP PLUG (FOR RG-174/U, 316/U, 188/U DOUBLE BRAID)			
PART NO. 142176			
DWG. NO.	142176.DWG	REV.	B
SIZE	A	SCALE	NA