



PRODUCT NUMBER
20020035-XXXXXXLF

20020035-□ □ □ □ B 0 □ L F

PITCH

G: 5.00 mm
H: 5.08 mm

POLES

02: 2 POLES
03: 3 POLES
.....
24: 24 POLES

LF : DENOTED RoHS COMPATIBLE

1 : STANDARD PRODUCT
W/ BOX PACKING

PROPERTY TABLE				
FCI SERIES NAME		35-500	35-508	
PITCH (mm)		5.00	5.08	
VOLTAGE RATING (VAC)		300	300	
CURRENT RATING (A)		10	10	
APPLICABLE WIRE RANGE (AWG)	1-WIRE	12~26	12~26	
	2-WIRE	NA	NA	
WIRE CROSS SECTION (mm ²)	SOLID	1-WIRE	2.5	2.5
		2-WIRE	NA	NA
	STRANDED	1-WIRE	2.5	2.5
		2-WIRE	NA	NA
OPENING CONTACT HOUSING(mm ²)		2.4x3.0	2.2x3.0	
WIRE STRIP LENGTH(mm)		8~9	8~9	
WITHSTANDING VOLTAGE (kV)		1.6	1.6	
OPERATING TEMP. (°C)		-40~+115	-40~+115	
POLES AVAILABLE		02~24	02~24	
SAFETY CERTIFICATE				

HOUSING CODE

CODE	COLOR	AVAILABILITY
1	GREEN(RAL 6018/T)	STANDARD
2	BLACK	ON REQUEST ONLY
3	GREY(RAL 7004/P)	ON REQUEST ONLY
4	BLUE(RAL 5015/A)	ON REQUEST ONLY

NOTES:

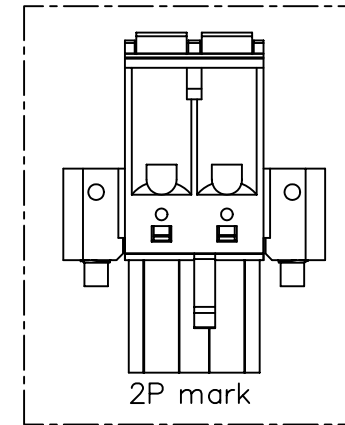
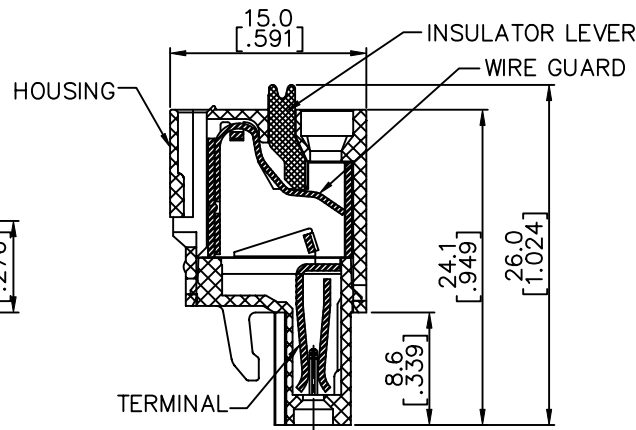
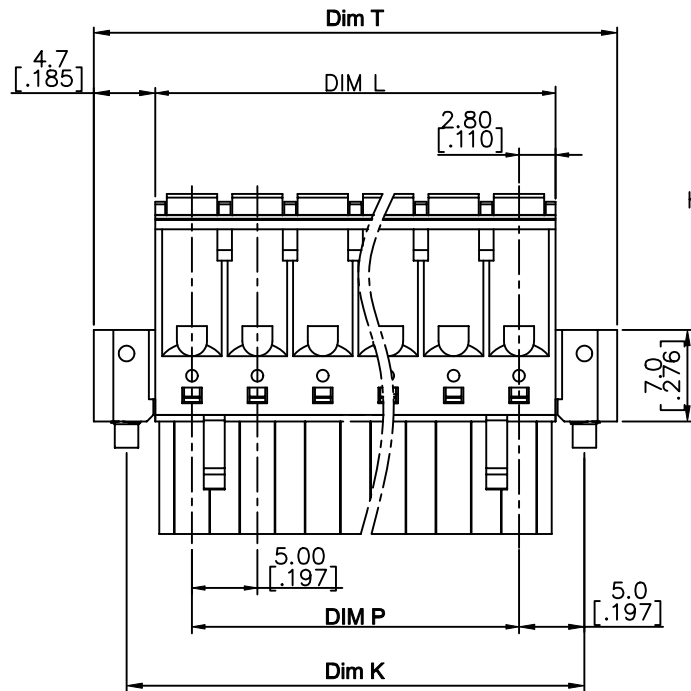
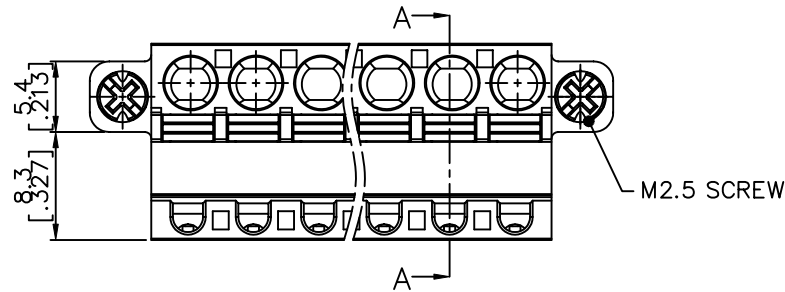
- MATERIALS
 - 1-1 HOUSING: THERMALPLASTIC RESIN, UL 94V-0 RATED.
 - 1-2 INSULATING LEVER: THERMALPLASTIC RESIN, UL 94V-0 RATED.
 - 1-3 WIRE GUARD : STAINLESS STEEL.
 - 1-4 TERMINAL: COPPER ALLOY, TIN PLATED.
 - 1-5 SCREW: STEEL, ZINC PLATED.
- PRODUCT SPECIFICATION REFER TO FCI GS-12-625.
- PRODUCT PACKING SPECIFICATION REFER TO FCI GS-14-1394.
- FCI, SAFETY CERTIFICATE LOGO AND SERIES NAME TO BE SHOWN ON PRODUCT SURFACE.
- THE PRODUCTS WHERE THE PART NUMBER END IN "LF" MEET THE EUROPEAN UNION DIRECTIVE AND OTHER COUNTRY REGULATIONS AS DESCRIBED IN GS-22-008.

mat'l. code				surface ASME Y14.5 ✓ / tolerance ASME Y14.5		projection		product family TERMINAL BLOCK	
ltr	ecn no	dr	date	tolerances unless otherwise specified				title	
A	T11-0004	WL	011811	angles	X.±0.5			TERMINAL BLOCK	
B	T-005306	WL	082311	±1°	X.X±0.3	scale		PLUGGABLE SIGNAL PLUG, DOWNSIDE CONTACT W/FLANGE	
				X.XX±0.1				sheet 1 of 3 size	
				dr WENDY CHEN 113010				dwg no 20020035 A4	
				enr JASON HSU 113010				type CUSTOMER Drawing	
				chr JASON HSU 113010					
				appd JASON HSU 113010					
sheet index	revision sheet	B	B	B	B				
		1	2	3					

PRODUCT NUMBER	SERIES NAME	PITCH
20020035-GXXXXXXLF	35-500	5.00 mm

N = Number of poles
 DIM. L=(N×5.00[.197])+0.6[.024]
 DIM. P=(N-1)×5.00[.197]
 DIM. T=(N×5.00[.197])+10.02[.394]
 DIM. K=(N+1)×5.00[.197]

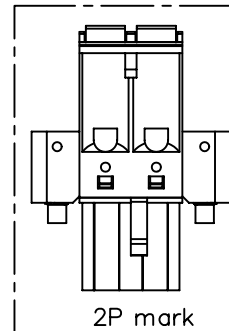
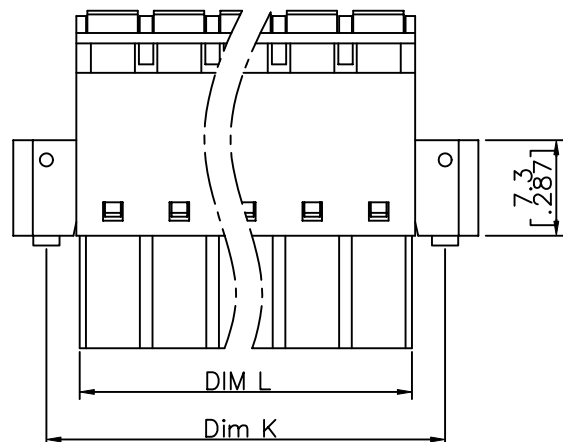
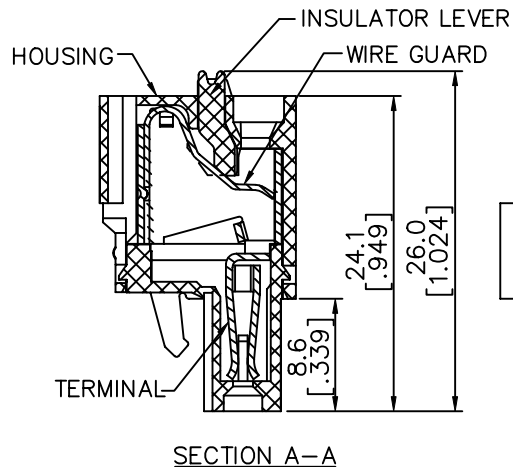
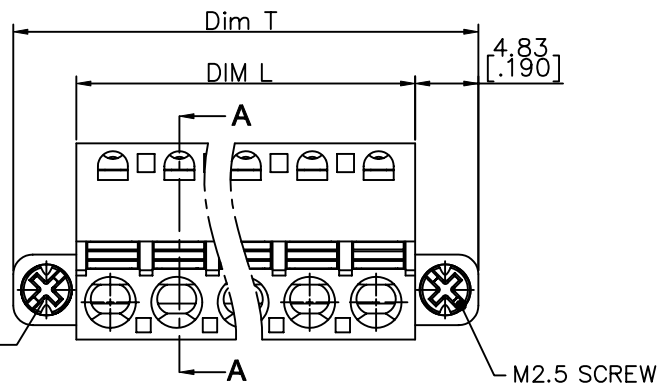
POLES	DIM. L & P	DIM.T & K
2-6p	±0.15[.006]	±0.15[.006]
7-12p	±0.20[.008]	±0.25[.010]
13-18p	±0.25[.010]	±0.30[.012]
19-24p	±0.30[.012]	±0.40[.016]



mat'l. code		surface ASME Y14.5	tolerance ASME Y14.5	projection [Symbol]	product family TERMINAL BLOCK
ltr	ecn no	dr	date	title TERMINAL BLOCK PLUGGABLE SIGNAL PLUG, DOWNSIDE CONTACT W/FLANGE	
B				angles X±1°	scale MM [INCH]
				dr	sheet 2 of 3 size
				enr	20020035
				chr	A4
				appd	type CUSTOMER Drawing
sheet index	revision sheet				

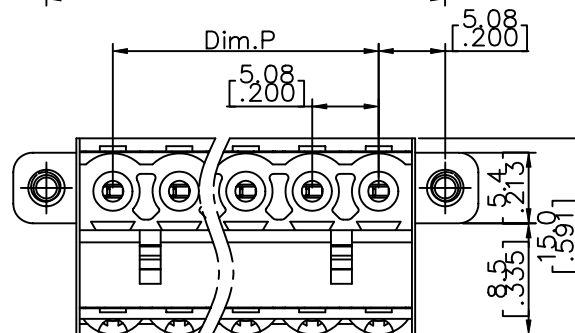


PRODUCT NUMBER	SERIES NAME	PITCH
20020035-HXXXXXLf	35-508	5.08 mm



N = Number of poles
 DIM. L = (N x 5.08 [.200]) + 0.5 [.020]
 DIM. P = (N - 1) x 5.08 [.200]
 DIM. T = (N x 5.08 [.200]) + T0.16 [.400]
 DIM. K = (N + 1) x 5.08 [.200]

POLES	DIM. L & P	DIM. T & K
2-6p	±0.15 [.006]	±0.15 [.006]
7-12p	±0.20 [.008]	±0.25 [.010]
13-18p	±0.25 [.010]	±0.30 [.012]
19-24p	±0.30 [.012]	±0.40 [.016]



mat'l. code		surface ASME Y14.5	tolerance ASME Y14.5	projection	product family TERMINAL BLOCK	
ltr	ecn no	dr	date	tolerances unless otherwise specified	title	
B				angles X ± 1°	TERMINAL BLOCK PLUGGABLE SIGNAL PLUG, DOWNSIDE CONTACT W/FLANGE	
				vertical X.X ± 0.5	MM [INCH]	
				horizontal X.XX ± 0.1	scale	
		dr	WENDY CHEN 113010		dwg no	
		enr	JASON HSU 113010		sheet 3 of 3	
		chr	JASON HSU 113010		20020035	A4
		appd	JASON HSU 113010		type	CUSTOMER Drawing
sheet index	revision sheet					