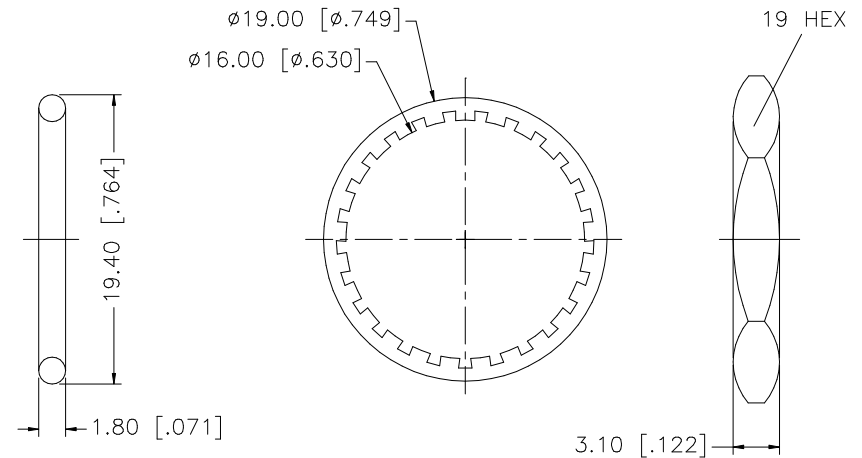
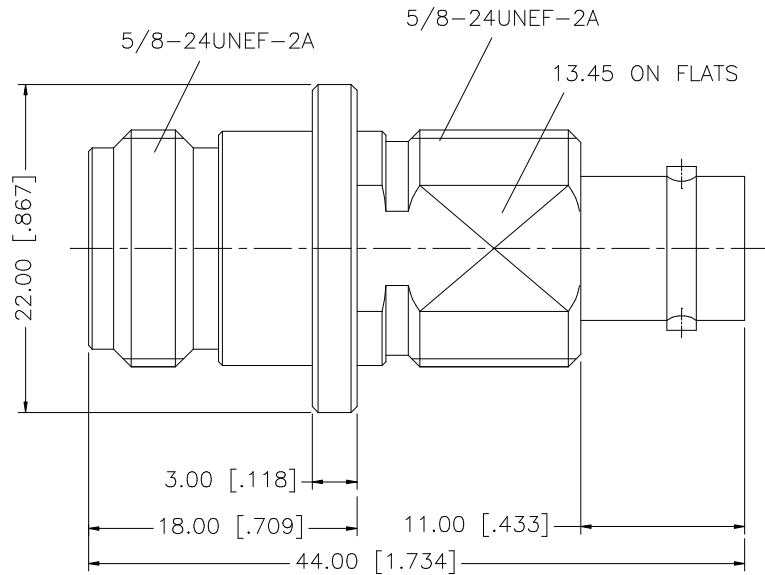
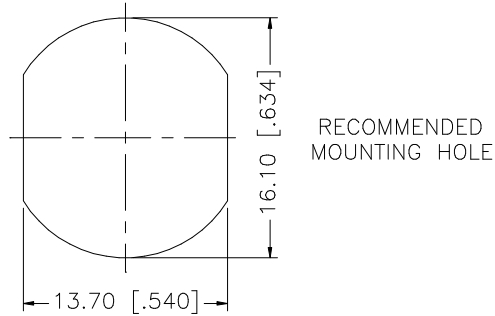


REV.	DATE	DESCRIPTION
NC	12/09/00	INITIAL RELEASE
A	11/30/06	UPDATE DRAWING FORMAT



8				
7				
6	HEX NUT	BRASS	NICKEL	1
5	LOCK WASHER	BRASS	NICKEL	1
4	GASKET	SILICONE	RED	1
3	CONTACT PIN	PHOS. BRONZE	GOLD	1
2	INSULATOR	TEFLON	NATURAL	1
1	BODY	BRASS	NICKEL	1
	DESCRIPTION	MATERIAL	FINISH	QTY

UNLESS OTHERWISE SPECIFIED DIMENSIONS ARE IN MILLIMETERS. DIMENSIONS IN [] ARE IN INCHES AND FOR CUSTOMER REFERENCE ONLY.

UNLESS OTHERWISE SPECIFIED TOLERANCES FOR MILLIMETERS ARE:
 0.5 - 8mm ± 0.20mm
 8 - 30mm ± 0.40mm
 30 - 120mm ± 0.50mm

UNLESS OTHERWISE SPECIFIED TOLERANCES FOR INCHES ARE:
 .020 - .315 ± ± 0.007"
 .315 - 1.180 ± ± 0.015"
 1.180 - 4.724 ± ± 0.020"

DO NOT SCALE DRAWING

APPROVALS	DATE
DRAWN G.R.S.	11/30/06
CHECKED	
ISSUED	
SHEET 1 OF 1	
CAD FILE	C:/242/242162.DWG

Amphenol Connex

PART DESCRIPTION

N JACK TO BNC BULKHEAD

PART NO.

242162

DWG. NO.

242162.DWG

REV. A

SIZE A

SCALE NA