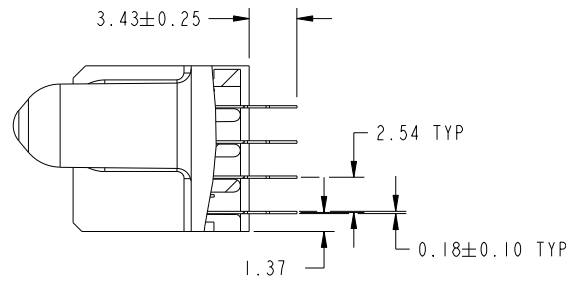


Tous droits strictement reserves. Reproduction ou communication a des tiers interdite sous quelque forme que ce soit sans autorisation écrite du propriétaire. Propriete de c FCI. Droits de reproduction FCI.

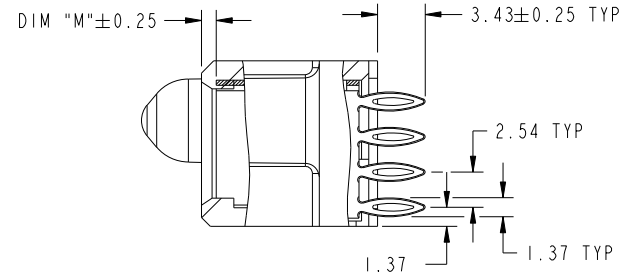


All rights strictly reserved. Reproduction or issue to third parties in any form whatever is not permitted without written authority from the proprietor. Property of FCI. Copyright FCI.

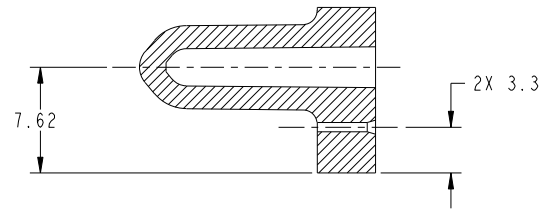
PRODUCT NUMBER
51940-271--
NOTE: 3



SECTION A-A
SCALE 2:1



SECTION B-B
SCALE 2:1



SECTION C-C
SCALE 2:1

mat'l code				tolerances unless otherwise specified			CUSTOMER				
ltr	ecn no.	dr	date	linear	0.X ±0.5	projection		www.fciconnect.com			
A					0.XX ±0.25			title		12P + 28S	
					0.XXX ±0.1			VERTICAL PRESS-FIT RECEPT			
				angles	0° ±2°	MIM		product family		code	
				dr	Warren Du 11/17/08			PwrBlade		213	
				enr	Warren Du 11/17/08			size		sheet	
				chr	Gary Hsieh 11/17/08			A		2 of 4	
				appd	Joseph Hsia 11/17/08	scale		51940-271			
sheet index	revision sheet							cage code			
								22526			

Pro/E

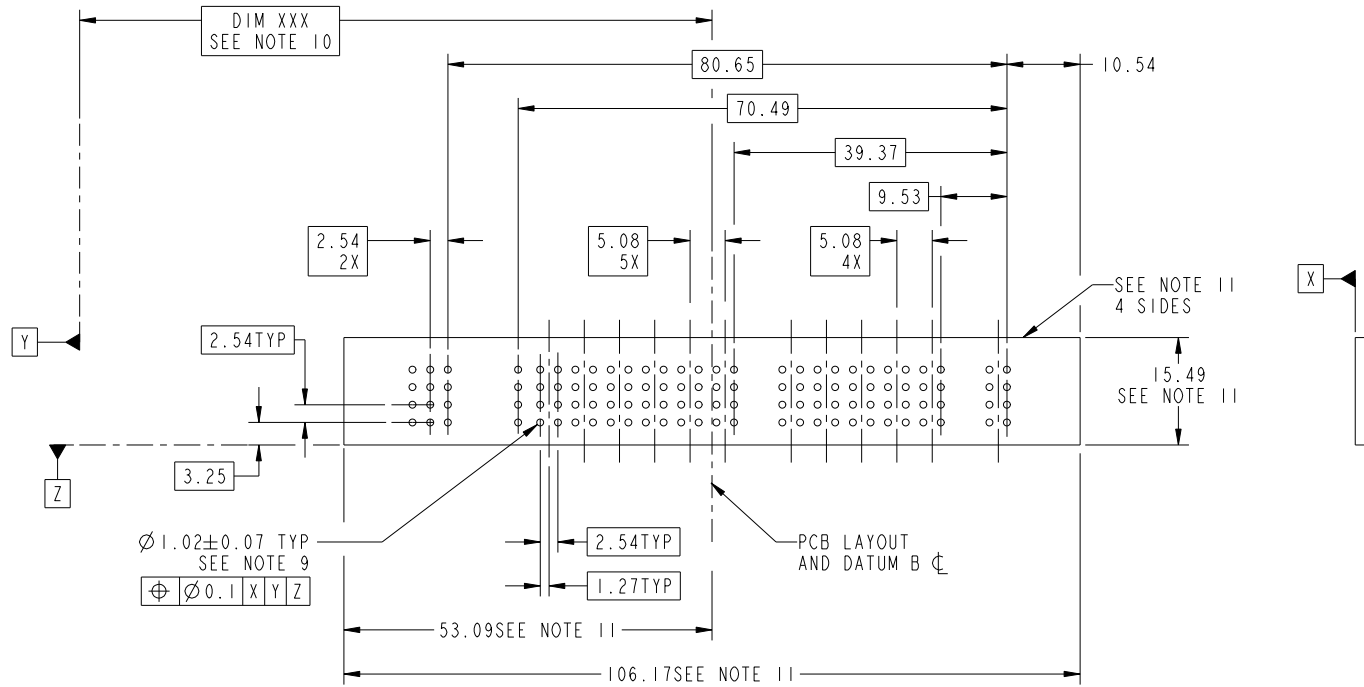
cage code 22526

Tous droits strictement reserves. Reproduction ou communication a des tiers interdite sous quelque forme que ce soit sans autorisation écrite du propriétaire. Propriete de c FCI. Droits de reproduction FCI.



All rights strictly reserved. Reproduction or issue to third parties in any form whatever is not permitted without written authority from the proprietor. Property of FCI. Copyright FCI.

PRODUCT NUMBER
51940-271--
NOTE: 3



RECOMMENDED PCB LAYOUT

mat'l code				tolerances unless otherwise specified		CUSTOMER			
ltr	ecn no.	dr	date	linear	0.X ±0.5	COPY		www.fciconnect.com	
A					0.XX ±0.25	projection		title	
				angles	0.XXX ±0.1			12P + 28S VERTICAL PRESS-FIT RECEPT	
					0° ±2°	MIM		product family PwrBlade code	
				dr	Warren Du 11/17/08	scale		size	
				enr	Warren Du 11/17/08	1:1		dwg no	
				chr	Gary Hsieh 11/17/08			51940-271	
				appd	Joseph Hsia 11/17/08			sheet	
sheet index	revision sheet							3 of 4	

cage code 22526

Pro/E

Tous droits strictement reserves. Reproduction ou communication a des tiers interdite sous quelque forme que ce soit sans autorisation écrite du propriétaire. Propriete de c FCI. Droits de reproduction FCI.

All rights strictly reserved. Reproduction or issue to third parties in any form whatever is not permitted without written authority from the proprietor. Property of FCI. Copyright FCI.

PRODUCT NUMBER
51940-271--
NOTE: 3

NOTES:

1. DIMENSIONS AND TOLERANCES ARE IN ACCORDANCE WITH ASME Y14.5M, 1994 UNLESS OTHERWISE SPECIFIED.

CONNECTOR NOTES:

- 2 HOUSING MATERIAL: UL 94 V-0 GLASS FILLED HIGH-TEMP THERMOPLASTIC
POWER CONTACT MATERIAL: COPPER ALLOY
SIGNAL PIN MATERIAL: COPPER ALLOY
- 3. SEE ITEM 7 & 8 IN PRINT 10064183 FOR PLATING SPEC OF 51940-271 AND 51940-271LF RESPECTIVELY.
- 4 MANUFACTURER'S NAME, P/N, AND DATE CODE TO APPEAR ON THIS SURFACE.
- 5. PRODUCT SPECIFICATION GS-12-149.
APPLICATION SPECIFICATION BUS-20-067.
- 6. PACKAGED IN TRAYS.
PCB NOTES:
7. ALL HOLE DIAMETERS ARE FINISHED HOLE SIZE.
- 8 MOUNTING HOLES, WHERE APPLICABLE, ARE UNPLATED.
- 9 $\varnothing 1.151 \pm 0.025$ DRILLED HOLES PLATED WITH
0.008 MIN SnPb OR Sn OVER 0.03
TO 0.08 Cu PLATING TO ACHIEVE
 $\varnothing 1.02 \pm 0.07$ HOLE.
- 10 "DIM XXX" TO BE DETERMINED BY THE CUSTOMER.
- 11 CONNECTOR KEEP-OUT ZONE.
- 12. THE VOID CORING IN BETWEEN POWER MODULES, SIGNAL MODULES AND END MODULES ARE OPTIONAL AND THE SHAPE MAY BE DIFFERENT FOR OPTIMIZE THE MOLDING PROCESS. THE VOID CORING WILL NOT EFFECT TO PRODUCT FUNCTION.

mat'l code				tolerances unless otherwise specified		CUSTOMER		FCI	
ltr	ecn no.	dr	date	linear	0.X ± 0.5	COPY		www.fciconnect.com	
A					0.XX ± 0.25	projection		title	
					0.XXX ± 0.1			12P + 28S VERTICAL PRESS-FIT RECEPT	
				angles	0° ± 2°			product family PwrBlade code	
		dr	Warren Du	11/17/08	size		dwg no		213
		enrg	Warren Du	11/17/08	scale		51940-271		sheet
		chr	Gary Hsieh	11/17/08	1:1		A		4 of 4
		appd	Joseph Hsia	11/17/08					
sheet index	revision sheet								

cage code 22526

Pro/E