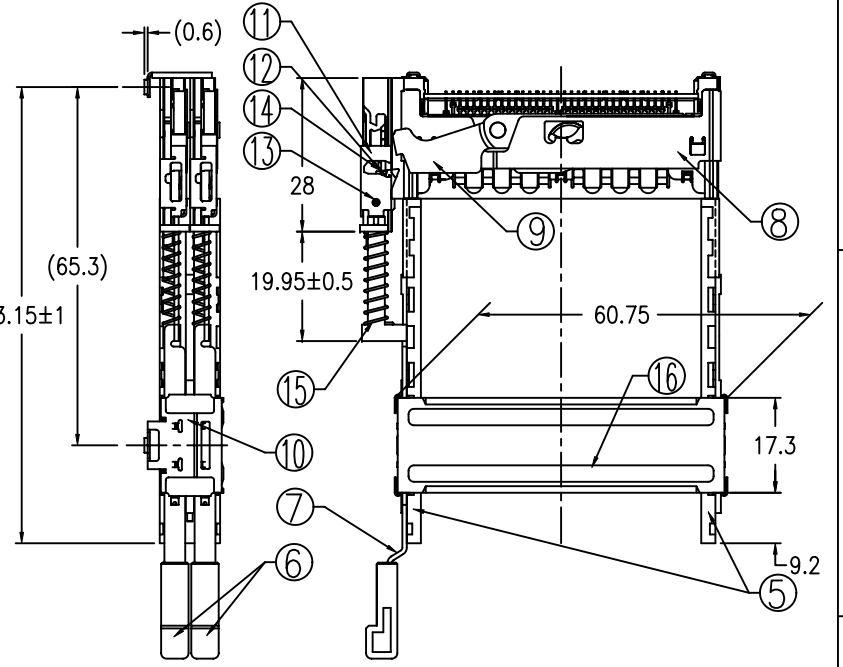
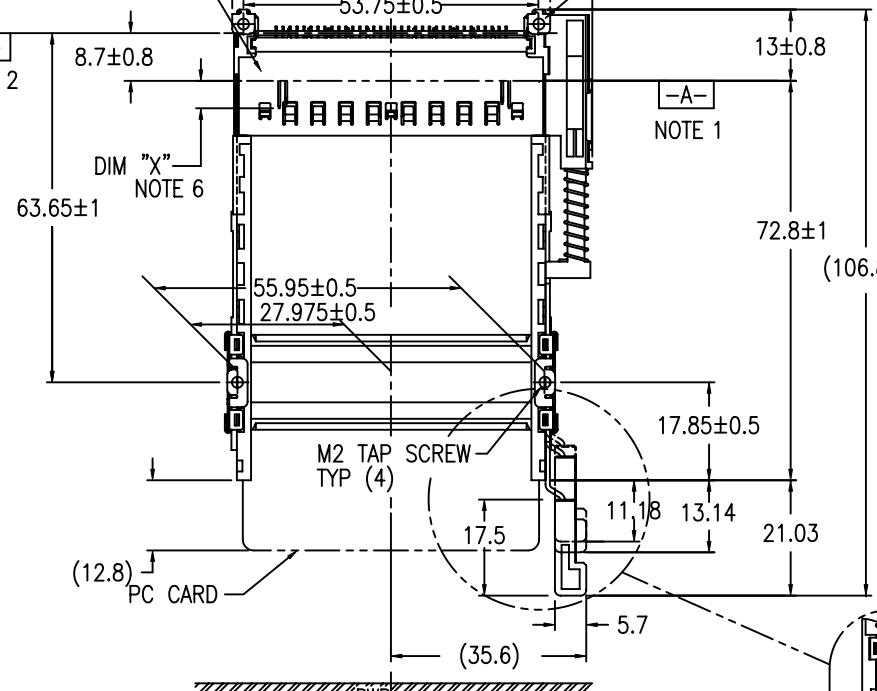
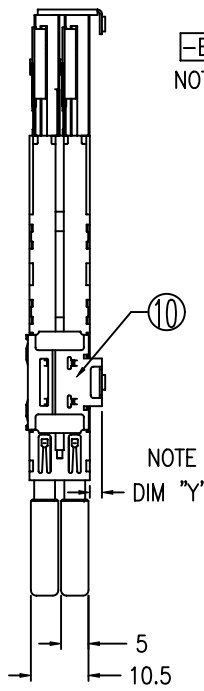
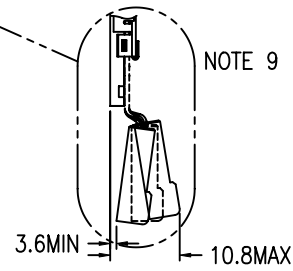
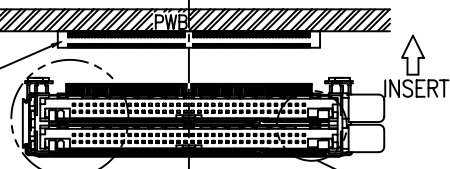


Tous droits strictement réservés. Reproduction ou communication a des tiers int sous quelque forme que ce soit sans autorisation écrite du propriétaire.
 Property of c BERG ELECTRONICS.
 Droits de reproduction BERG ELECTRONICS by

PRODUCT NO.	DIM "Y"	BUTTON COLOR
52280-22RRA	2.2	BLACK
-28RRA	2.8	
-50RRA	5.0	



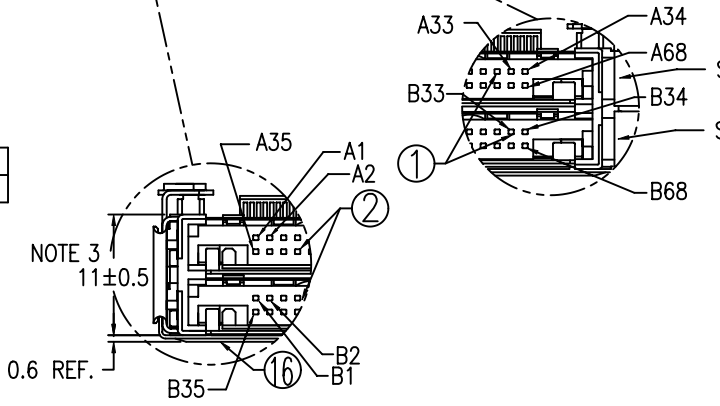
0.6mm PITCH
 RECEPTACLE (144POS.)
 P/N: 73213-xxx



- NOTE:
- A- : CARD EDGE POSITION
 - B- : CENTER OF PWB THICKNESS
 - EJECTOR MECHANISM HEIGHT
 - STAND OFF HEIGHT
 - CARD EJECT TRAVEL : MIN. 7mm
 - DIM "X"

4.25±0.1	3.5±0.1	5.0±0.1
OTHERS	36,67	1,17,34,35,51,68

- GENERAL TOLERANCE : ±0.3
- SEE FIG. OF REF. DWG(TA-1114) FOR PIN ASSIGNMENT.
- FREE ZONE OF BUTTON



COMPONENT	MATERIAL	FINISH	QTY.
① HOUSING	FLAME RETARDANT RESIN (UL94V-0)	NONE	2
② PIN	PHOSPHOR BRONZE	UNDER : 0.5µm MIN. Ni CONTACT AREA : 0.1µm MIN. Au OVER 0.5µm MIN. Pd-Ni SOLDER TAIL : 2.5µm MIN. Sn-Pb	136
③ SHIELD	PHOSPHOR BRONZE	UNDER : 1.27µm MIN. Ni (SHIELD1,2) SELECTIVE : 0.1µm MIN. Au (SHIELD1)	2
④ PCB	FR4	UNDER : 0.5µm MIN. Ni ALL OVER : 0.1µm MIN. Au	1
⑤ GUIDE	STAINLESS STEEL	SELECTIVE UNDER : 0.5µm MIN. Ni SELECTIVE OVER : 0.1µm MIN. Au	2
⑥ BUTTON	FLAME RETARDANT RESIN (UL94V-0)	NONE	2
⑦ PUSH ROD	STAINLESS STEEL	NONE	2
⑧ EJECT PLATE	STAINLESS STEEL	NONE	2
⑨ LINK ARM	STAINLESS STEEL	NONE	2
⑩ BRACKET	STAINLESS STEEL	NONE	4
⑪ SLIDER	STAINLESS STEEL	NONE	2
⑫ ACTUATOR	ZINC ALLOY	NONE	2
⑬ PIVOT	STAINLESS STEEL	NONE	2
⑭ SPRING	PHOSPHOR BRONZE	NONE	2
⑮ COIL SPRING	STAINLESS STEEL	NONE	2
⑯ TOWER BAR	STAINLESS STEEL	NONE	1

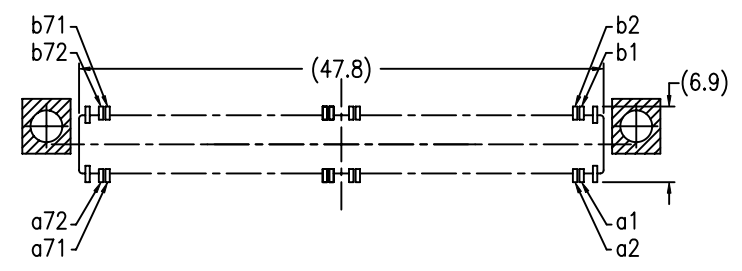
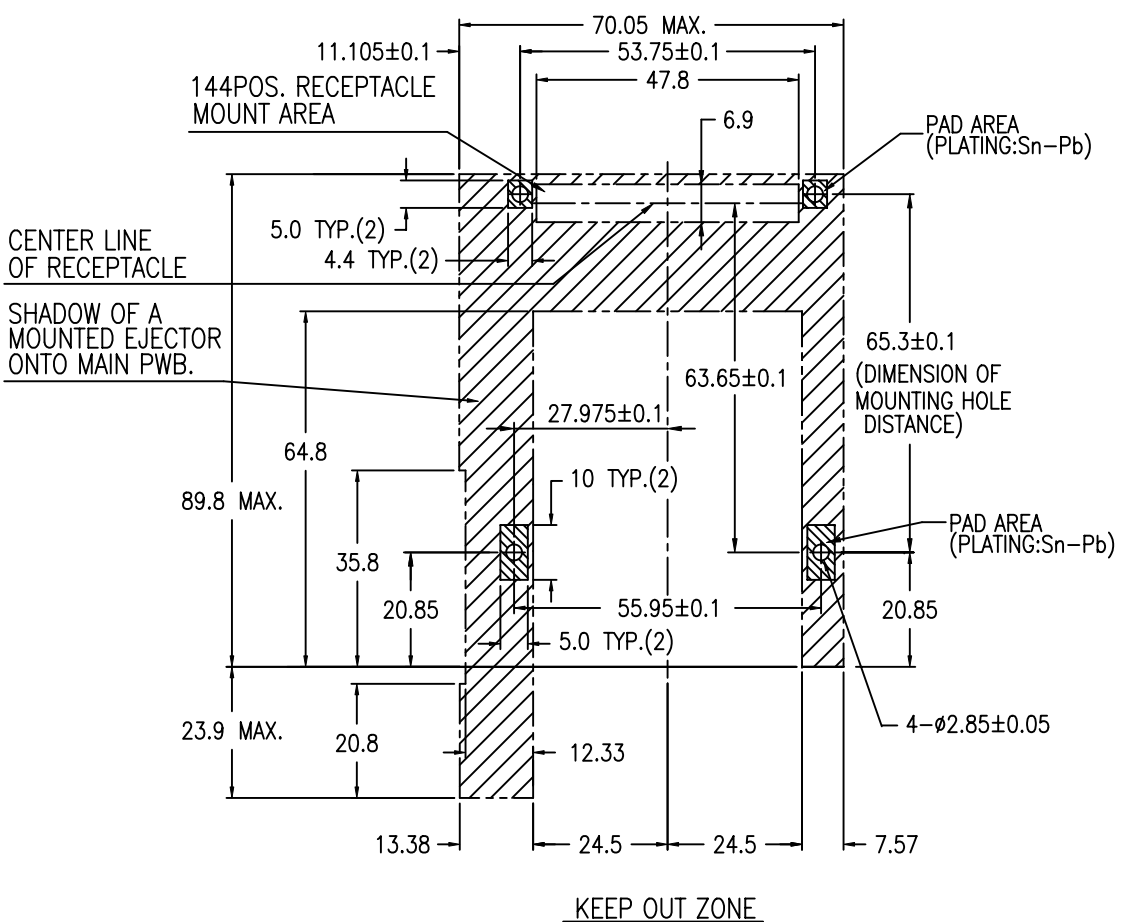
mat'l code		tolerance unless otherwise specified		CUSTOMER COPY		 www.fciconnect.com	
rev.	ecn no.	dr	date	linear	±0.3	projection	title
A	T03-0001	W L	01/03/02	angles	± 2°		CARDBUS EJECTOR ASS'Y (2-STEP,BELOW BOARD)
				dr	WENDY CHEN	04/26/99	unit
				enr	LEIF SHEN	04/26/99	mm/inch
				chr	JOSEPH HSIAO	04/26/99	scale
				appd	JENN TSAO	04/26/99	1:1
sheet	revision	A	A	A	A	product family	PCMCIA
index	sheet	1	2	3	4	size	dwg no.
						A3	52280
							code
							sheet
							1 OF 4

All rights strictly reserved. Reproduction or issue to third parties in any form whatever is not permitted without written authority from the proprietor.
 Property of c BERG ELECTRONICS.
 Copyright BERG ELECTRONICS by

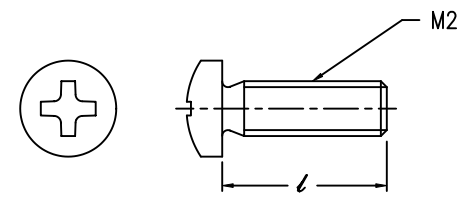
Tous droits strictement réservés. Reproduction ou communication a des tiers int
 sous quelque forme que ce soit sans autorisation écrite du propriétaire.
 propriété de c BERG ELECTRONICS.
 Droits de reproduction BERG ELECTRONICS by

All rights strictly reserved. Reproduction or issue to third parties in any for
 whatever is not permitted without written authority from the proprietor.
 Property of c BERG ELECTRONICS.
 Copyright BERG ELECTRONICS by

PRODUCT NO.
52280-xxRRx



RECOMMENDED RECEPTACLE PAD LAYOUT



STAND OFF	l	
	P.W.B. THK 1.2mm	P.W.B. THK 1.6mm
2.2 mm	MAX.3.0mm	MAX.3.0mm
2.8 mm	MAX.3.0mm	MAX.4.0mm
5.0 mm	3.0~5.0mm	3.0~6.0mm

RECOMMENDED M2 SCREW LENGTH

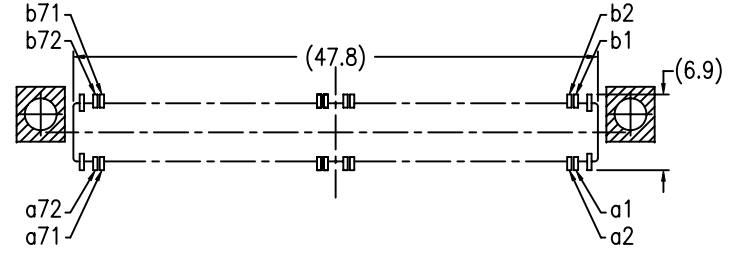
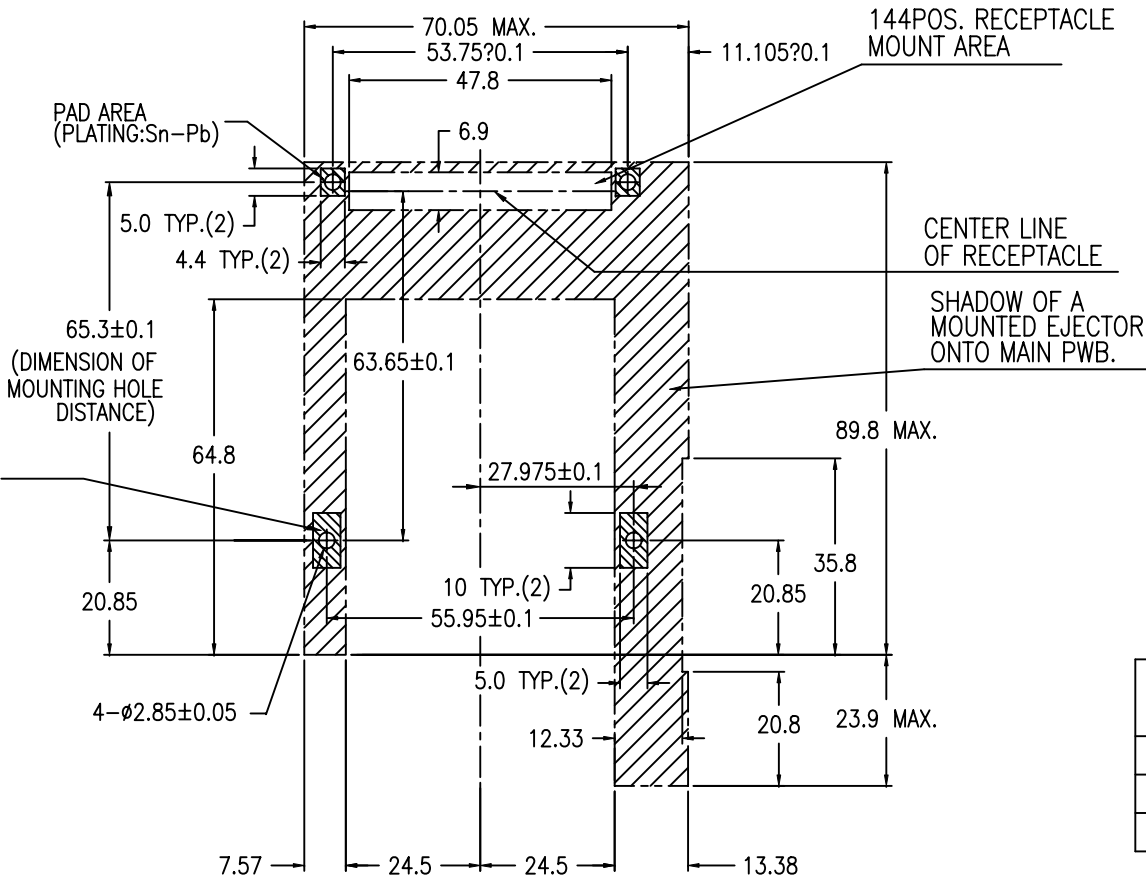
NOTE
 1. GENERAL TOLERANCE : ±0.3
 2. RECOMMENDED TIGHTING TORQUE : 0.196 N.m [2.0 kgf.cm]
 MAX. : 0.245 N.m [2.5 kgf.cm]

mat'l code		tolerance unless otherwise specified		CUSTOMER COPY		 www.fciconnect.com	
rev.	ecn no.	dr	date	linear	±0.3	projection	title CARDBUS EJECTOR ASS'Y (2-STEP,BELOW BOARD)
A				angles	± 2°		
		dr	WENDY CHEN	04/26/99	unit	product family	PCMCIA
		enr	LEIF SHEN	04/26/99	mm/inch	size	dwg no.
		chr	JOSEPH HSIAO	04/26/99	scale	A3	52280
		appd	JENN TSAO	04/26/99	1:1		sheet 3 OF
sheet index	revision sheet						

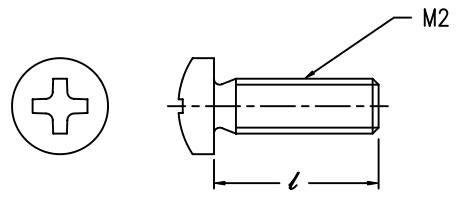
Tous droits strictement réservés. Reproduction ou communication a des tiers int sous quelque forme que ce soit sans autorisation écrite du propriétaire.
 Property of c BERG ELECTRONICS
 Droits de reproduction BERG ELECTRONICS by

All rights strictly reserved. Reproduction or issue to third parties in any for whatever is not permitted without written authority from the proprietor.
 Property of c BERG ELECTRONICS
 Copyright BERG ELECTRONICS by

PRODUCT NO.
52280-xxLLx



RECOMMENDED RECEPTACLE PAD LAYOUT



STAND OFF	l	
	P.W.B. THK 1.2mm	P.W.B. THK 1.6mm
2.2 mm	MAX.3.0mm	MAX.3.0mm
2.8 mm	MAX.3.0mm	MAX.4.0mm
5.0 mm	3.0~5.0mm	3.0~6.0mm

RECOMMENDED M2 SCREW LENGTH

NOTE
 1. GENERAL TOLERANCE : ±0.3
 2. RECOMMENDED TIGHTING TORQUE : 0.196 N.m [2.0 kgf.cm]
 MAX. : 0.245 N.m [2.5 kgf.cm]

KEEP OUT ZONE

mat'l code		tolerance unless otherwise specified		CUSTOMER COPY		 www.fciconnect.com	
rev.	ecn no.	dr	date	linear	±0.3	projection	title
A				angles	± 2°		CARDBUS EJECTOR ASS'Y (2-STEP,BELOW BOARD)
		dr	WENDY CHEN 06/21/99	unit	mm/inch	product family	PCMCIA
		enr	LEIF SHEN 06/21/99	scale	1:1	size	dwg no.
		chr	JOSEPH HSIAO 06/21/99	scale	1:1	A3	52280
		appd	JENN TSAO 06/21/99				code
sheet	revision						TWN
index	sheet						sheet 4 of