

PRODUCT NUMBER  
57202-XXX-XXXXXLF

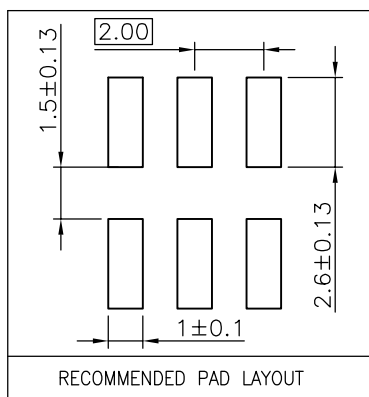
PLATING  
S = 0.38µm GOLD/GXT ON CONTACT AREA  
2µm MIN MATTE TIN ON TAIL  
G = 0.76µm GOLD/GXT ON CONTACT AREA  
2µm MIN MATTE TIN ON TAIL  
F = GOLD FLASH ON CONTACT AREA  
2µm MIN MATTE TIN ON TAIL  
T = 2-6.0µm FULL MATTE TIN  
1.27µm MIN NICKEL UNDERPLATING

RoHS COMPATIBLE  
SEE NOTE 7  
POLARIZATION, SEE NOTE 6  
PACKAGING, SEE NOTE 5  
NB OF POS PER ROW : 02 TO 25

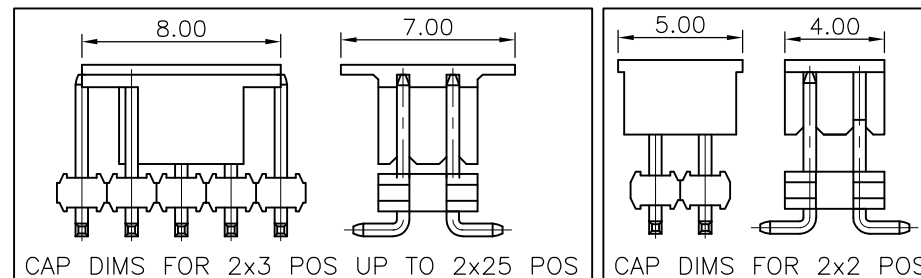
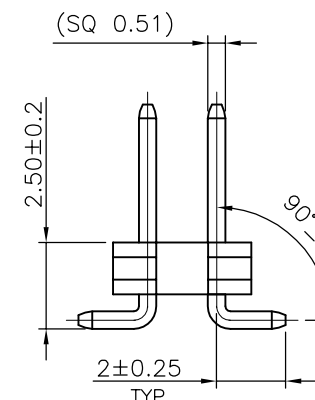
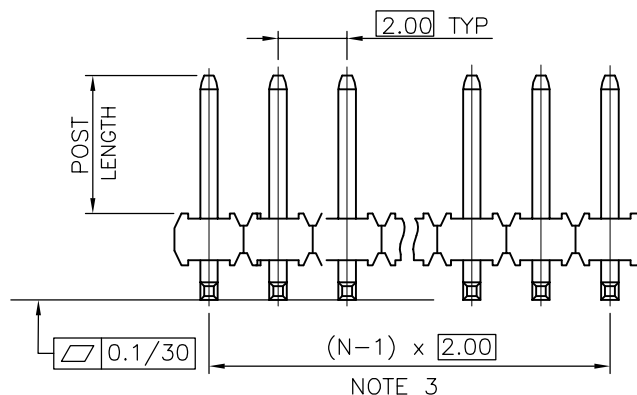
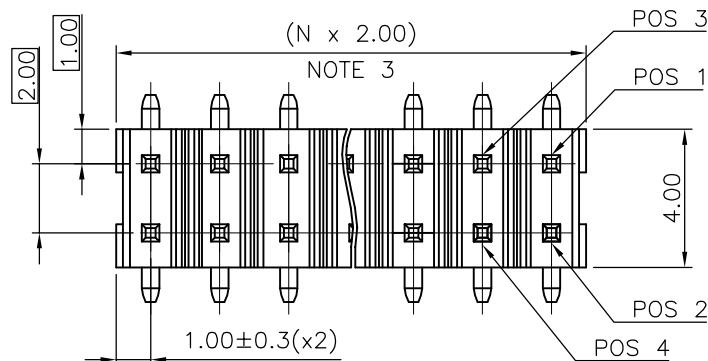
STYLE	POST LENGTH ±0.2
51	2.00
52	4.00
53	3.50
54	2.50

NOTES:

- MATERIAL HOUSING: HIGH TEMP. THERMOPLASTIC  
UL 94V-0, COLOR BLACK
- MATERIAL TERMINAL: COPPER ALLOY
- TO DETERMINE DIMENSIONS:  
N = NUMBER OF POSITIONS PER ROW.
- 7N MIN. PIN RETENTION IN EITHER DIRECTION.
- PACKAGING:  
= STANDARD PACKAGING IN POLYBAGS  
- = POLYBAGS PACKAGING WHEN POLARISATION FEATURE APPLICABLE.  
U = TUBE AVAILABLE FROM 04 TO 25 POS PER ROW.  
A = TAPE AND REEL WITH PICK UP CAP INSTALLED  
IN THE CENTER OF THE PRODUCT FOR PICK AND PLACE  
SEE TA 884 FOR PRODUCT AVAILABILITY.  
K = TAPE AND REEL WITHOUT CAP, SEE TA884 FOR AVAILABILITY.
- FOR POLARIZATION, SPECIFY POSITION NUMBER TO OMIT PIN.  
EXAMPLE : 03 = OMIT PIN POSITION 3, SEE TOP VIEW.  
OMIT FROM PRODUCT NUMBER IF THIS FEATURE IS NOT APPLICABLE.
- RoHS COMPATIBLE PRODUCT SPECIFICATIONS
  - PLATING:  
- "LF" MEANS THE PRODUCT IS LEAD-FREE,  
2µm MINIMUM MATTE TIN OVER 1.27µm  
MINIMUM NICKEL UNDERPLATE.
  - MANUFACTURING PROCESS COMPATIBILITY  
- THE HOUSING WILL WITHSTAND EXPOSURE TO  
260°C PEAK TEMPERATURE FOR 30 SECONDES  
IN A CONVECTION, INFRA-RED OR VAPOR  
PHASE REFLOW OVEN.
  - LABELLING:  
- MEETS PACKAGING SPECS AS PER GS-14-920
  - LEGAL STATEMENT : SEE GS-47-0004



TOP VIEW



mat'l. code		surface	tolerance	projection	product family
		ISO 1302	ISO 406 ISO	101	MINITEK
ltr ecn no dr date		tolerances unless otherwise specified		mm	title
L F09-0087 JCO 09.09.04		angles	.X ±0.3		
M F11-0026 LMU 11.05.12		linear	.XX ±0.13		
N B-19190 LMU 14.10.24			.XXX ±0.05	scale 1:1	
P B-19797 AMA 14.12.16		dr	L.MULIN 04.05.06	sheet 1 of 1 size	
R B-19988 LMU 15.01.13		engr	J.COMPAGNON 0.4.11.25		57202
S B-20032 AMA 15.01.20		chr		type	CUSTOMER Drawing
		appd	J.M.C 04.11.25		
sheet index	revision sheet				