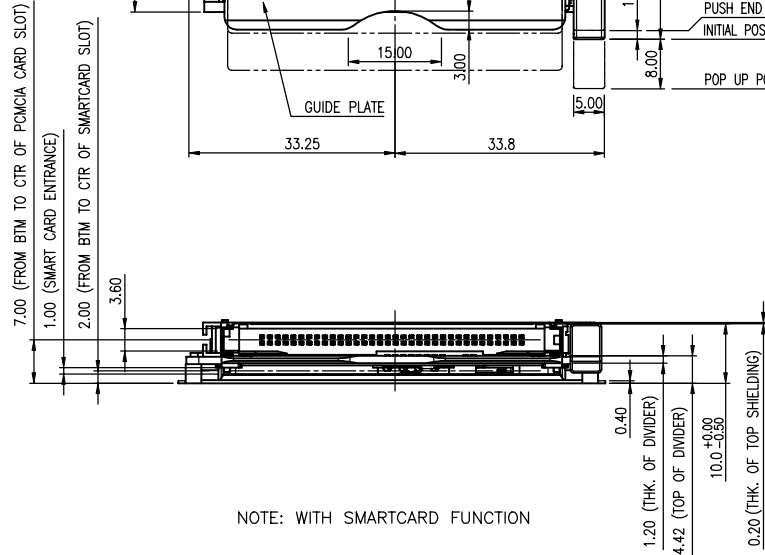
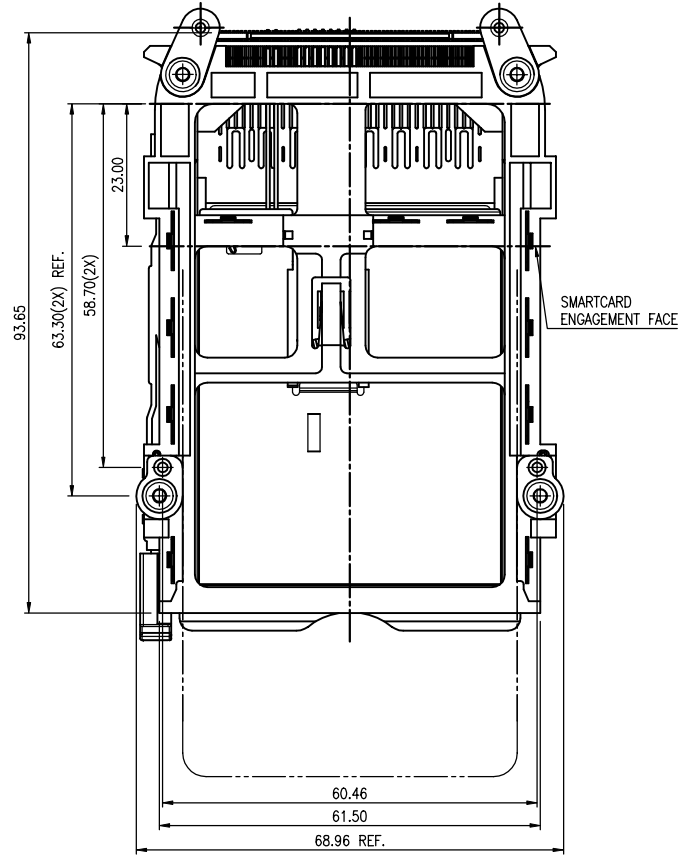
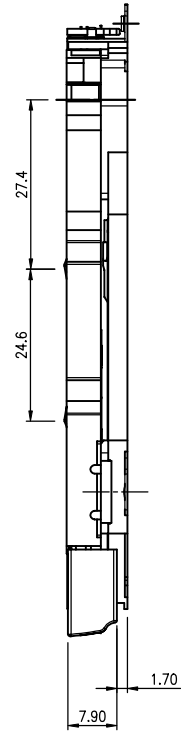
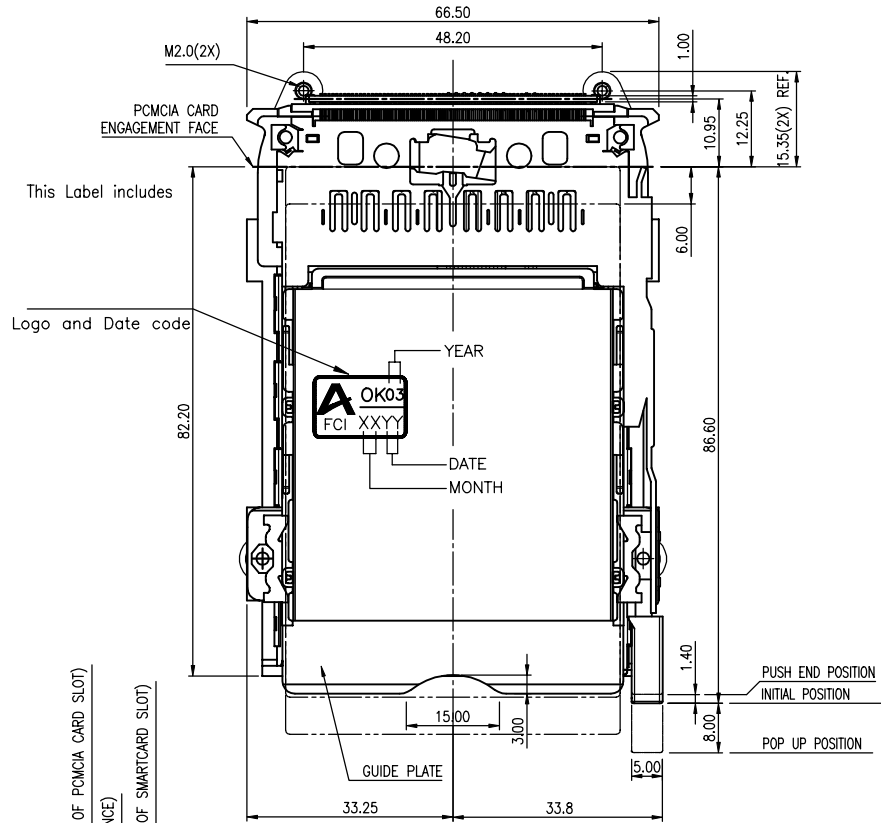


All rights strictly reserved. Reproduction or issue to third parties in any form whatever is not permitted without written authority from the proprietor. Property of FCI. Copyright FCI.

Tous droits strictement réservés. Reproduction ou communication a des tiers interdite sous quelque forme que ce soit sans autorisation écrite du propriétaire. Propriété de c FCI. Droits de reproduction FCI.

PRODUCT NO.
57996-001



NOTE: WITH SMARTCARD FUNCTION

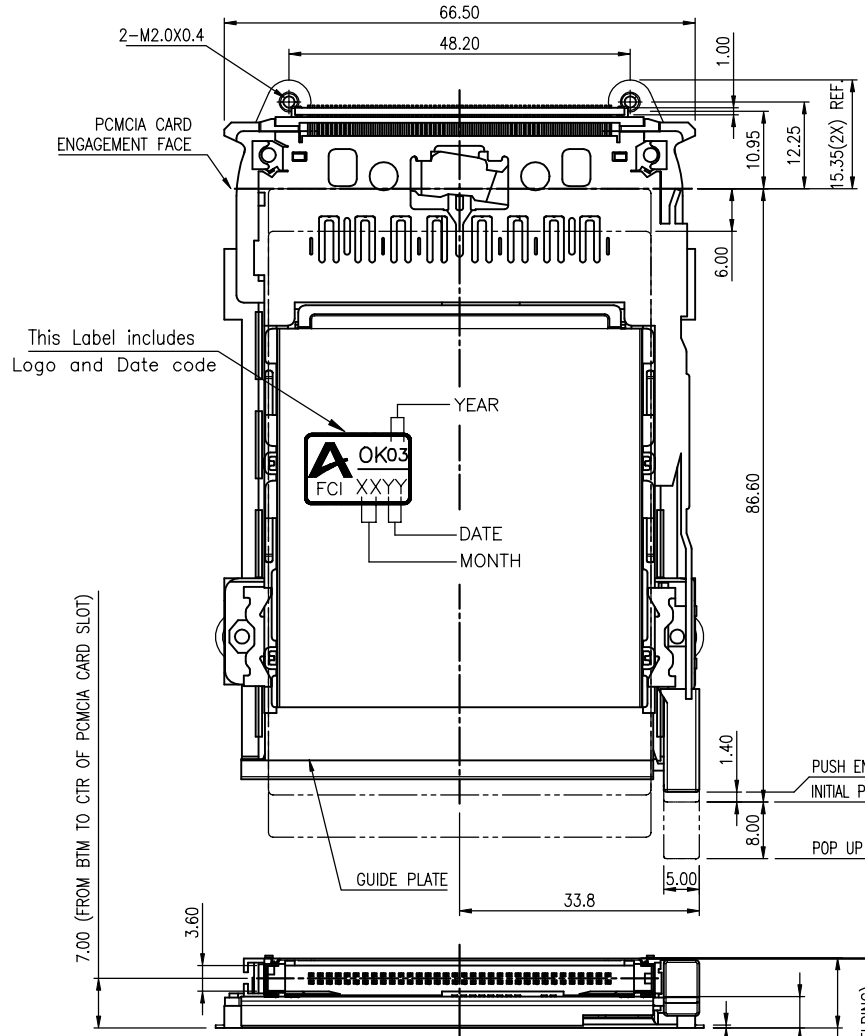
CONFIDENTIAL

mat'l. code				tolerances unless otherwise specified		CUSTOMER COPY		 www.fciconnect.com	
ltr	ecn no	dr	date	linear	.X ± 0.8	projection		title	
A	T20338	Benny	11/29/02		.XX ± 0.25			SMART PLUS C ASSEMBLY	
B	T20366	Benny	12/19/02	angles	.XXX ± 0.13			product family SMARTPLUS	
C	T03-0013	Benny	01/15/03		0° ± 3'			size dwg no	
D	T03-0061	Benny	02/20/03	dr	Benny Chen	1/22/'02		scale	
				enr	Benny Chen	1/22/'02		A4	
				chr	Paul Wang	1/22/'02		57996	
				appd	Jenn Tsao	1/22/'02		1 of 4	
sheet index	revision sheet	D 1	D 2	A 3	A 4				

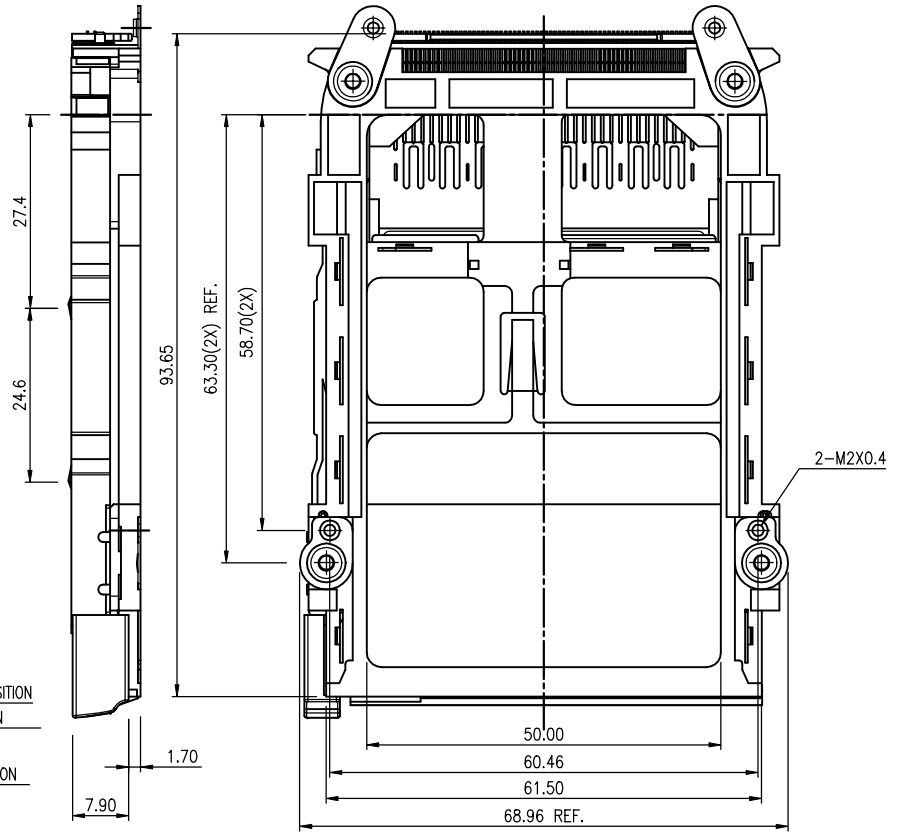
All rights strictly reserved. Reproduction or issue to third parties in any form whatever is not permitted without written authority from the proprietor. Property of FCI. Copyright FCI.

Tous droits strictement réservés. Reproduction ou communication a des tiers interdite sous quelque forme que ce soit sans autorisation écrite du propriétaire. Propriété de c FCI. Droits de reproduction FCI.

PRODUCT NO.
57996-002



NOTE: WITHOUT SMARTCARD FUNCTION

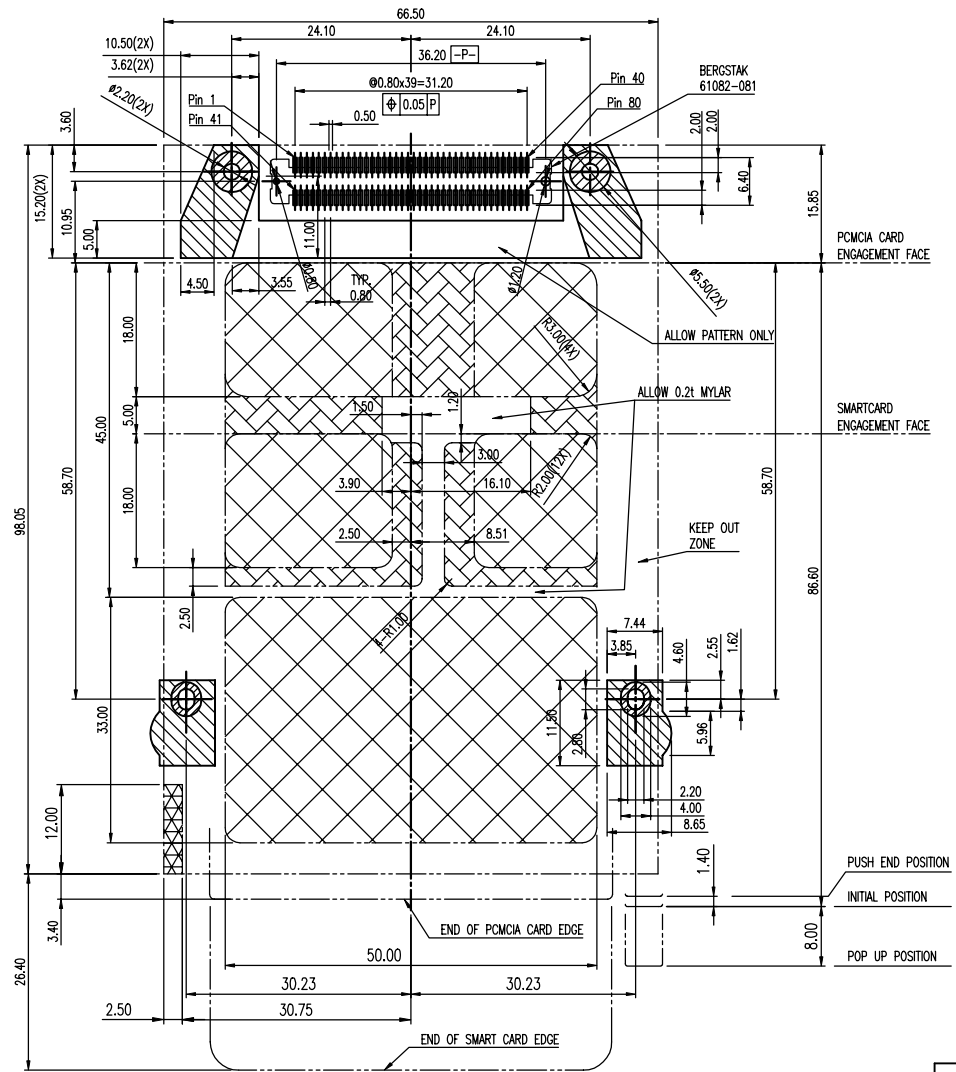


CONFIDENTIAL

mat'l. code				tolerances unless otherwise specified			CUSTOMER COPY		 www.fciconnect.com	
ltr	ecn no	dr	date	linear	.X ± 0.8	projection	title			
C					.XX ± 0.25	 MM	SMART PLUS C ASSEMBLY			
				angles	.XXX ± 0.13		product family	SMARTPLUS	code	-
				dr	Benny Chen 1/22/'02	scale	1.5 : 1	size	dwg no	
				enr	Benny Chen 1/22/'02	A4	57996	sheet	2 of 4	
				chr	Paul Wang 1/22/'02					
				appd	Jenn Tsao 1/22/'02					
sheet index	revision sheet									

All rights strictly reserved. Reproduction or issue to third parties in any form whatever is not permitted without written authority from the proprietor. Property of FCI. Copyright FCI.

PRODUCT NO.
57996-001



RECOMMENDED P.C.BOARD LAYOUT

- NO PATTERN AREA
- NO PART MOUNTING
- ALLOWED UNDER 0.8 MM HEIGHT PARTS MOUNTING
- GROUND PAD
- ALLOWED UNDER 1.50 MM HEIGHT PARTS MOUNTING
- ALLOWED UNDER 4.0 MM HEIGHT PARTS MOUNTING

BTB 80P	PCMCIA	SMART CARD
1	1 GND	
2	2 SIG	
3	3 SIG	
4	4 SIG	
5	5 SIG	
6	6 SIG	
7	7 SIG	
8	8 SIG	
9	9 SIG	
10	VCC	
11	10 SIG	
12	11 SIG	
13	12 SIG	
14	13 SIG	
15	14 SIG	
16	15 SIG	
17	16 SIG	
18	17 VCC	
19	18 VPP1	
20		C4 RESERVED
21	19 SIG	
22	20 SIG	
23		C3 CLK
24	21 SIG	
25	22 SIG	
26		C2 RST
27	23 SIG	
28	24 SIG	
29		C1 VCC
30	25 SIG	
31	26 SIG	
32		S1 DET
33	27 SIG	
34	28 SIG	
35	29 SIG	
36	30 SIG	
37	31 SIG	
38	32 SIG	
39	33 SIG	
40	34 GND	

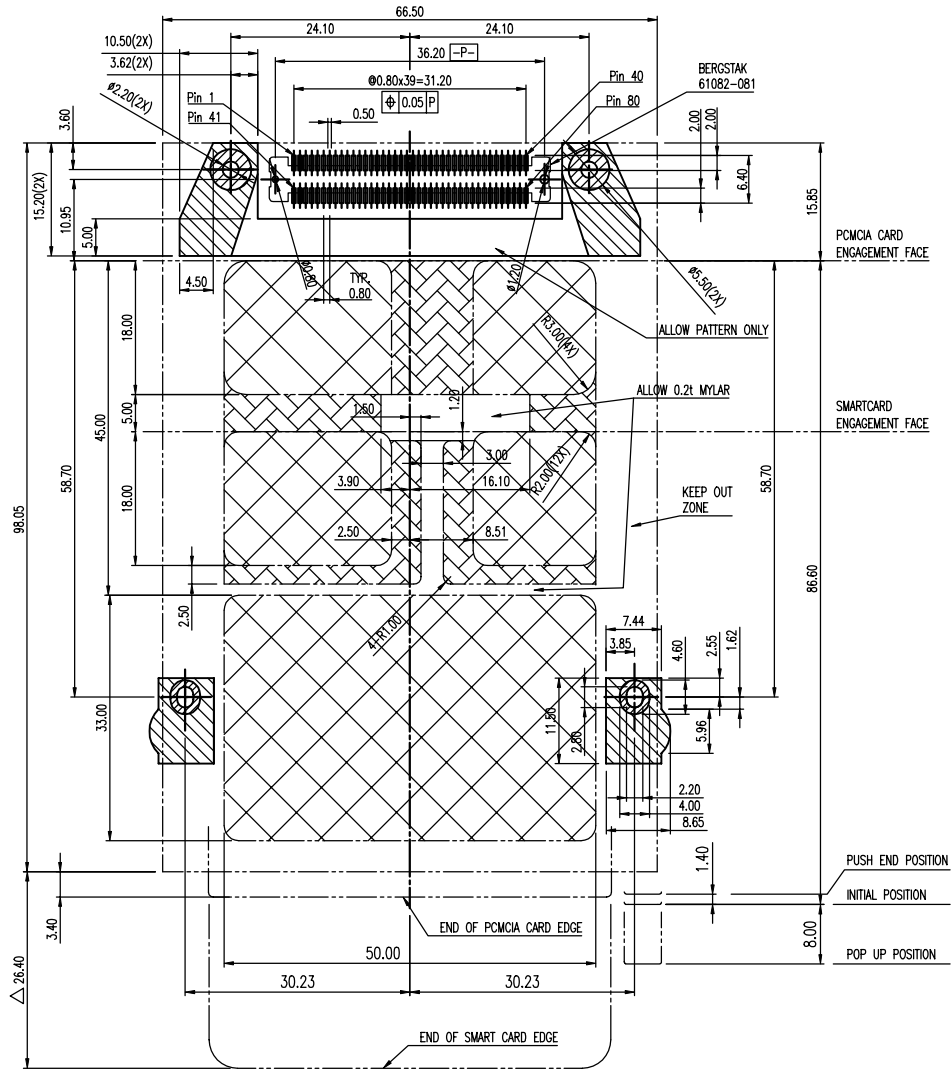
BTB 80P	PCMCIA	SMART CARD
41	35 GND	
42	36 DET	
43	37 SIG	
44	38 SIG	
45	39 SIG	
46	40 SIG	
47	41 SIG	
48	42 SIG	
49	43 SIG	
50	G	
51	44 SIG	
52	45 SIG	
53	46 SIG	
54	47 SIG	
55	48 SIG	
56	49 SIG	
57	50 SIG	
58	51 VCC	
59	52 VPP2	
60		C8 RESERVED
61	53 SIG	
62	54 SIG	
63		C7 I/O
64	55 SIG	
65	56 SIG	
66		C6 VPP
67	57 SIG	
68	58 SIG	
69		C5 GND
70	59 SIG	
71	60 SIG	
72	61 SIG	
73	62 SIG	
74		S2 DET
75	63 SIG	
76	64 SIG	
77	65 SIG	
78	66 SIG	
79	67 DET	
80	68 GND	

NOTE: WITH SMARTCARD FUNCTION

CONFIDENTIAL

mat'l. code				tolerances unless otherwise specified		CUSTOMER COPY		 www.fciconnect.com	
ltr	ecn no	dr	date	linear	.X ± 0.8 .XX ± 0.5 .XXX ± 0.3	projection	title		
A				angles	0° ± 3°			product family SMARTPLUS	
				dr	Benny Chen 1/22/'02	MM		code	
				enr	Benny Chen 1/22/'02	←		size	dwg no
				chr	Paul Wang 1/22/'02	→		57996	
				appd	Jenn Tsao 1/22/'02	scale	2:1	sheet 3 of 4	
sheet index	revision sheet							cage code	

PRODUCT NO.
57996-002



RECOMMENDED P.C. BOARD LAYOUT

- NO PATTERN AREA
- NO PART MOUNTING
- ALLOWED UNDER 0.8 MM HEIGHT PARTS MOUNTING
- GROUND PAD
- ALLOWED UNDER 1.50 MM HEIGHT PARTS MOUNTING

BTB 80P	PCMCIA	SMART CARD
1	1	GND
2	2	SIG
3	3	SIG
4	4	SIG
5	5	SIG
6	6	SIG
7	7	SIG
8	8	SIG
9	9	SIG
10		G
11	10	SIG
12	11	SIG
13	12	SIG
14	13	SIG
15	14	SIG
16	15	SIG
17	16	SIG
18	17	VCC
19	18	VPP1
20		C4 RESERVED
21	19	SIG
22	20	SIG
23		C3 CLK
24	21	SIG
25	22	SIG
26		C2 RST
27	23	SIG
28	24	SIG
29		C1 VCC
30	25	SIG
31	26	SIG
32		S1 DET
33	27	SIG
34	28	SIG
35	29	SIG
36	30	SIG
37	31	SIG
38	32	SIG
39	33	SIG
40	34	GND

BTB 80P	PCMCIA	SMART CARD
41	35	GND
42	36	DET
43	37	SIG
44	38	SIG
45	39	SIG
46	40	SIG
47	41	SIG
48	42	SIG
49	43	SIG
50		G
51	44	SIG
52	45	SIG
53	46	SIG
54	47	SIG
55	48	SIG
56	49	SIG
57	50	SIG
58	51	VCC
59	52	VPP2
60		C8 RESERVED
61	53	SIG
62	54	SIG
63		C7 I/O
64	55	SIG
65	56	SIG
66		C6 VPP
67	57	SIG
68	58	SIG
69		C5 GND
70	59	SIG
71	60	SIG
72	61	SIG
73	62	SIG
74		S2 DET
75	63	SIG
76	64	SIG
77	65	SIG
78	66	SIG
79	67	DET
80	68	GND

NOTE: WITHOUT SMARTCARD FUNCTION

CONFIDENTIAL

mat'l. code				tolerances unless otherwise specified			CUSTOMER COPY		 www.fciconnect.com		
ltr	ecn no	dr	date	linear	.X ± 0.8		projection	title			
A					.XX ± 0.5			SMARTPLUS C PCB LAYOUT			
				angles	.XXX ± 0.3		 MM	product family		code	
					0° ± 3°			SMARTPLUS		-	
				dr	Benny Chen	1/22/'02	scale	size		sheet	
				enr	Benny Chen	1/22/'02		dwg no		4 of 4	
				chr	Paul Wang	1/22/'02		57996			
				appd	Jenn Tsao	1/22/'02					
sheet index	revision sheet						A4				

All rights strictly reserved. Reproduction or issue to third parties in any form whatever is not permitted without written authority from the proprietor. Property of FCI. Copyright FCI.