

PRODUCT NUMBER

6 4 9 9 1 - X X X - X X X X X LF  
 LEAD FREE OPTION (NOTE 9,11)

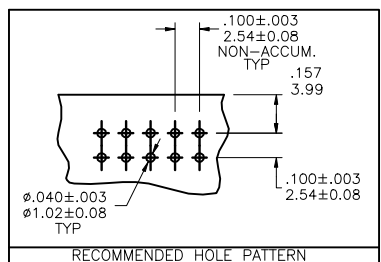
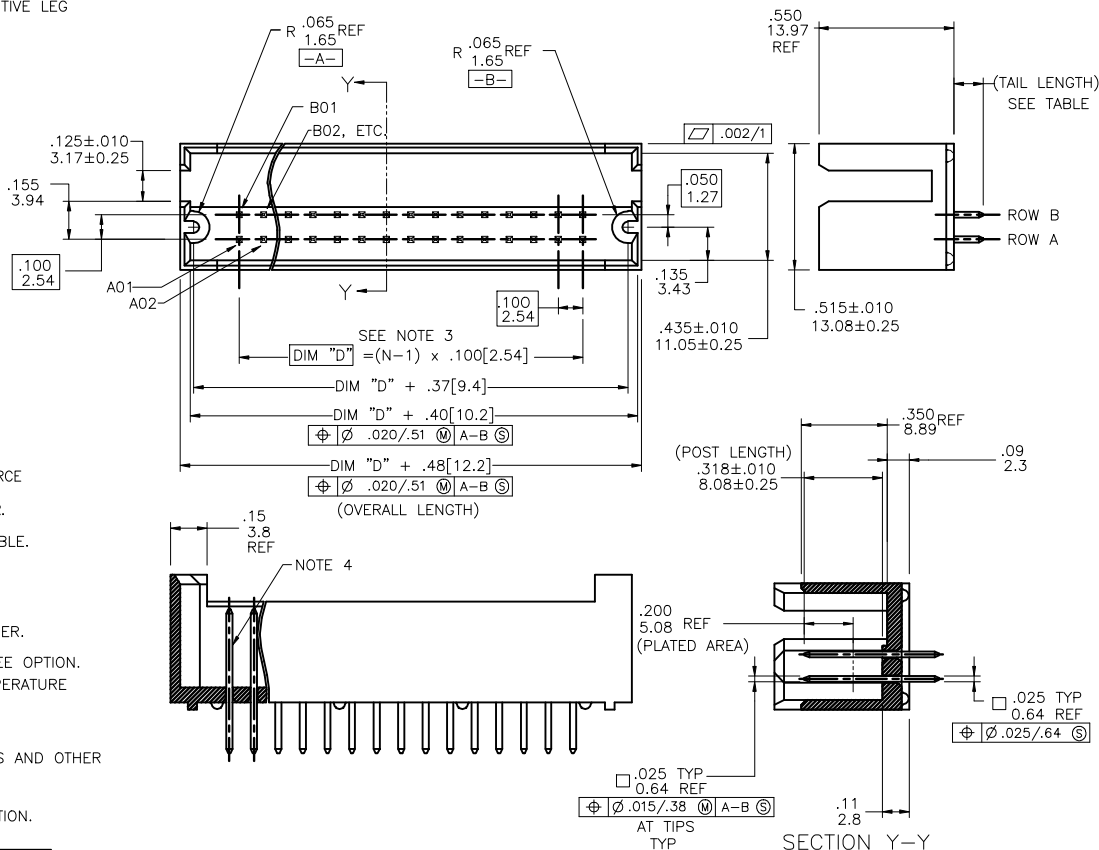
PLATING  
 NOTE 12

S=15μ" [0.38μm] GOLD/GXT  
 ON CONTACT AREA  
 100μ" [2.54μm] PURE TIN  
 ON TAIL  
 G=30μ" [0.76μm] GOLD/GXT  
 ON CONTACT AREA  
 100μ" [2.54μm] PURE TIN  
 ON TAIL

| STYLE | TAIL LENGTH |
|-------|-------------|
| 3     | .090/2.29   |
| 4     | .120/3.05   |

POSITIONS PER ROW  
 05 TO 50

- ① HOUSING MAT'L: HIGH TEMPERATURE THERMOPLASTIC. UL94V-0  
 COLOR: NATURAL
- ② PIN MATERIAL: PHOSPHOR-BRONZE
- ③ TO DETERMINE DIMENSION  
 N= NUMBER OF POSITIONS PER ROW  
 EXAMPLE: 10 POS., (N-1) X .100/2.54=.900/22.87
- ④ 3LBS./1.36 KG MIN. RETENTION IN EITHER DIRECTION.
- ⑤ PACKAGED IN TRAYS.
- ⑥ RETENTIVE LEG:  
 5LB/2.3KG MAX INSERTION FORCE AND .25LB./1KG MIN RETENTION FORCE  
 PER RETENTIVE PIN USING .062/1.57 THICK CIRCUIT BOARD AND RECOMMENDED  
 HOLE PATTERN. RETENTIVE LOCATION AT THE DISCRETION OF THE MANUFACTURER.  
 RETENTION IS TWO PINS PER PART ADJACENT TO ONE ANOTHER.  
 OMIT FROM PRODUCT NUMBER IF THIS FEATURE IS NOT APPLICABLE.
- ⑦ UNDER PLATING 50μ"/1.27μm Ni.
- ⑧ FOR POLARIZATION SPECIFY POSITION NUMBER  
 (e.i., A03=ROW A POS. 3) TO OMIT PIN  
 IF FEATURE IS NOT APPLICABLE, REMOVE FROM PRODUCT NUMBER.
- ⑨ ADD "LF" SUFFIX AT THE END OF PART NUMBER FOR LEAD FREE OPTION.
- ⑩ THE HOUSING WILL WITHSTAND EXPOSURE TO 260°C PEAK TEMPERATURE  
 FOR 15 SECONDS IN A WAVE SOLDER APPLICATION WITH A 1.5mm  
 MINIMUM THICK CIRCUIT BOARD. SEE APPLICATION NOTES/PROCEDURES  
 IF THEY ARE AVAILABLE.
- ⑪ IF "LF" P/N THE PRODUCT MEETS EUROPEAN UNION DIRECTIVES AND OTHER  
 COUNTRY REGULATION AS DESCRIBED IN GS-22-008.
- ⑫ PLATING OPTIONS:  
 MAY BE EITHER GOLD OR GXT PLATED AT MANUFACTURER'S OPTION.



|                            |          |                     |                                  |                                       |   |
|----------------------------|----------|---------------------|----------------------------------|---------------------------------------|---|
| mat'l. code<br>NOTES 1 & 2 |          | surface<br>ISO 1302 | tolerance<br>ISO 406<br>ISO 1101 | projection                            | product family<br>HEADER                                    |
| lir                        | ecn no   | dr                  | dale                             | tolerances unless otherwise specified | title   |
| A                          | V92814   | DAI                 | 8/24/99                          | linear                                | .100/2.54cc GUIDE PIN (SLOTTED)<br>SHROUDED VERTICAL HEADER |
| B                          | V11526   | DAI                 | 5/21/01                          | 0°±2'                                 | scale 1:1   |
| C                          | V212895  | TAB                 | 1/09/03                          | linear                                | dwg no 64991 sheet 1 of 1 size A3                           |
| D                          | M05-0089 | MHT                 | 5/20/05                          | dr                                    | D. INGRAM 6/02/99   |
| E                          | M07-0116 | AGS                 | 2/19/07                          | eng                                   | H. SUNDY 7/21/99  |
| F                          | M09-0059 | MHT                 | 4/16/09                          | chr                                   | H. SUNDY 7/21/99  |
| G                          | M09-0154 | MHT                 | 9/10/09                          | appd                                  | H. SUNDY 7/21/99  |
| sheet                      | revision | G                   |                                  |                                       | type Product Customer Drawing                               |
| index                      | sheet    | 1                   |                                  |                                       |   |

Copyright FCJ  
 FCconnect.com

