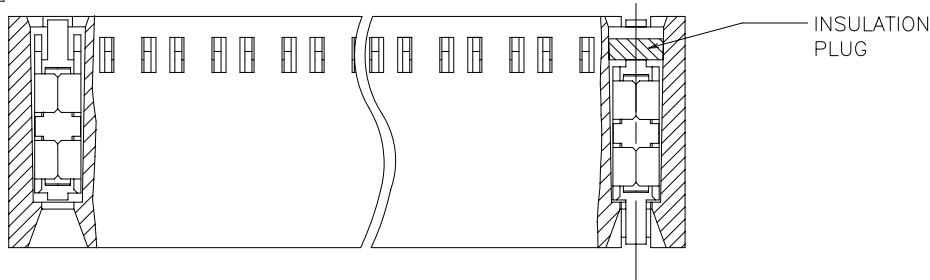




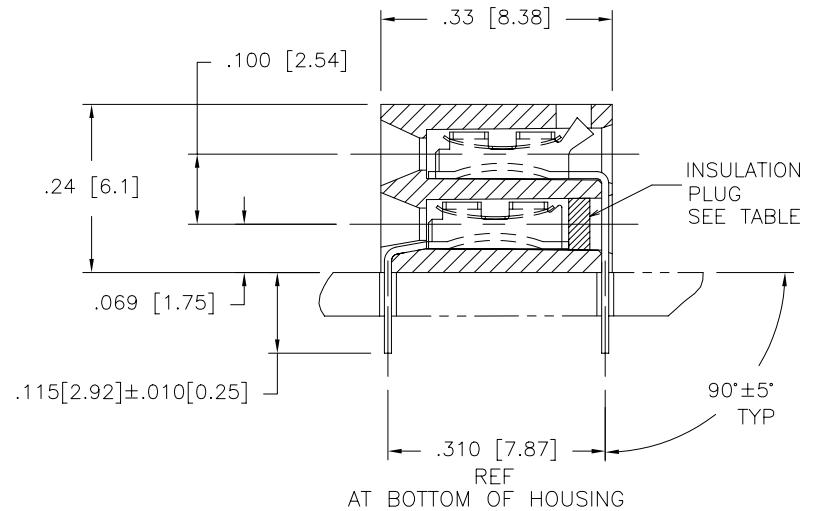
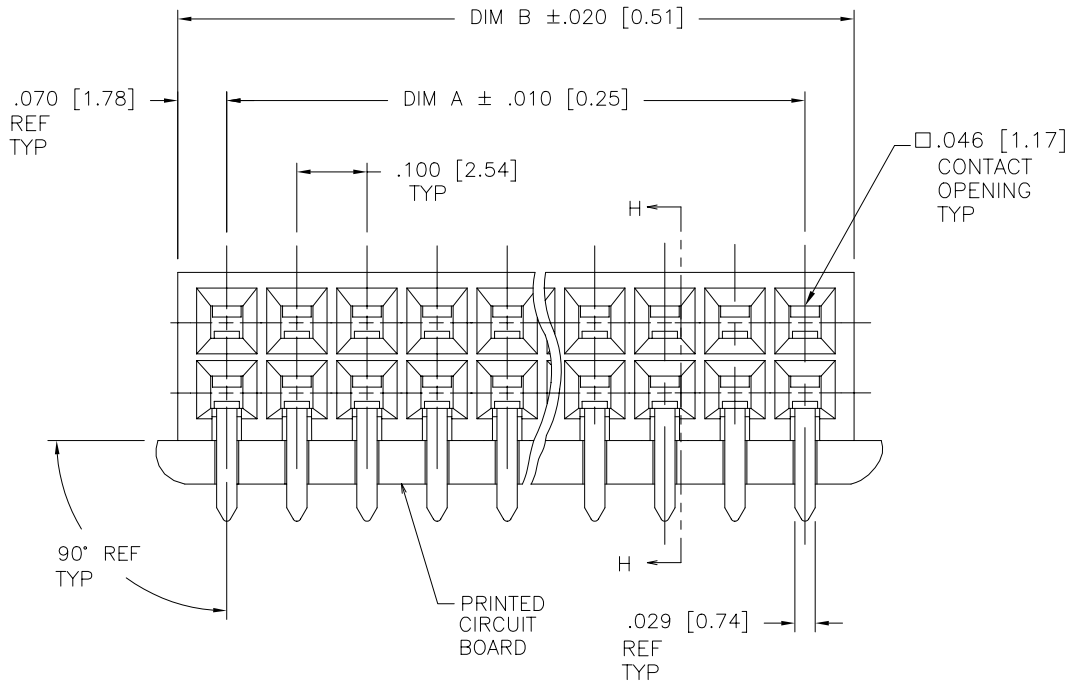
FCIconnect.com

Copyright FCI

PRODUCT NO.
SEE TABLE



INSULATION
PLUG

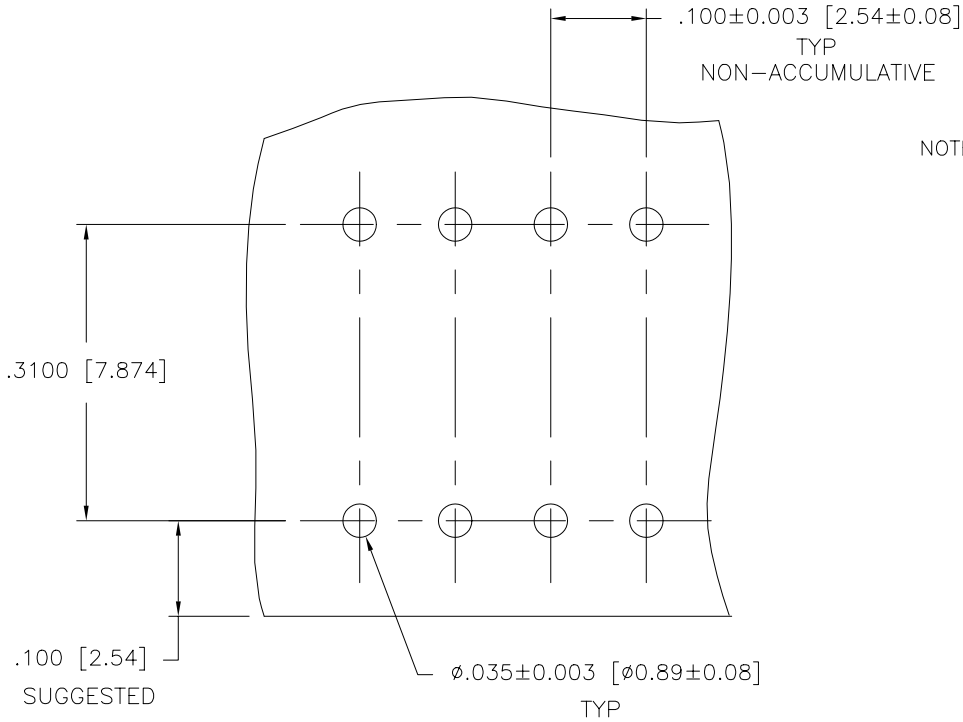


SECTION H-H

mat'l. code			surface ISO 1302 ✓		tolerance ISO 406 ISO 1101		projection INCH/MM		product family PVHCC		
F v40693 MSC 5/24/94			tolerances unless otherwise specified		.xx ±.01/.3		INCH/MM		title 2 X .100 CARD CONNECTOR		
G v70991 EPK 7/9/97			angles		.xxx ±.005/.13		scale 4:1		dwg no 66413		
H v02523 AZ 10/24/00			0°±2'		.xxxx ±.0020/.051		FCJ		sheet 1 of 4 size A3		
J M05-0181 MHT 8/13/05			dr		M. CLOUSER 5/23/94				type Product Customer Drawing		
K M06-0117 M.N. 06/01/06			enr		H. SUNDY 5/24/94						
			chr		H. SUNDY 5/24/94						
			appd		H. SUNDY 5/24/94						
sheet index		revision sheet		K K		K K					
		1 2		3 4							

form: A3

PRODUCT NO.
SEE TABLE



NOTES:

1. HOUSING MATERIAL:
FILLED HIGH TEMPERATURE NYLON
COLOR. BLACK
2. TERMINAL MATERIAL:
BODY. BRASS .010/.25 THICK.
SPRING. BE-CU. HEAT TREATED
BODY PLATING:
40 MICROINCH GOLD/1.02 MICRON OVER 50 MICROINCH
NICKEL/1.27 MICRON IN CONTACT AREA.
SPRING PLATING: GOLD FLASH
3. APPLICATION INFORMATION.
A. RECOMMENDED MOUNTING HOLE PATTERN IS SHOWN IN FIG."1".
B. ALL MATING PINS TO BE .025/.64 SQUARE ON TRUE CENTER OF GIVEN TERMINAL SPACINGS WITHIN .015/.38 DIA.
C. SUGGESTED MATING PIN LENGTH .350±.020/8.89±.51.
- ④. ADD "LF" SUFFIX AT THE END OF PART NUMBER FOR LEAD FREE OPTION.
- ⑤. THESE PRODUCT MEETS EUROPEAN UNION DIRECTIVES AND OTHER COUNTRY REGULATIONS AS DESCRIBED IN GS-22-008
6. THIS PART WILL WITHSTAND EXPOSURE TO 260°C PEAK TEMPERATURE FOR 20 SECONDS IN A WAVE SOLDER, INFRA-RED OR VAPOR PHASE SOLDER PROCESS.

FIGURE 1
SCALE 5:1

FCI
FCIconnect.com

Copyright FCI

mat'l. code		surface ISO 1302 ✓		tolerance ISO 406 ISO 1101		projection ⊕		product family PVHCC	
ltr		ecn no dr		date		tolerances unless otherwise specified		title	
K						.xx ±.01/.3 .xxx ±.005/.13 .xxxx ±.0020/.051		INCH/MM scale 4:1	
				0°±2'		linear		2 X .100 CARD CONNECTOR	
		dr		M. CLOUSER		5/23/94		dwg no	
		enr		H. SUNDY		5/24/94		sheet 2 of 4 size	
		chr		H. SUNDY		5/24/94		66413 A3	
		appd		H. SUNDY		5/24/94		type Product Customer Drawing	
sheet index		revision sheet							

PRODUCT NUMBER	NO. OF POS.	DIM. A	DIM. B	INSULATION PLUG	LEAD FREE OPTION
66413-501	2X1	.00/0	.14/3.56	YES	NOTE 5,6
66413-502	2X2	.10/2.5	.24/6.10	YES	
-503	2X3	.20/5.0	.34/8.64		
-504	2X4	.30/7.6	.44/11.18		
-505	2X5	.40/10.1	.54/13.72		
-506	2X6	.50/12.7	.64/16.26		
-507	2X7	.60/15.2	.74/18.80		
-508	2X8	.70/17.7	.84/21.34		
-509	2X9	.80/20.3	.94/23.88		
-510	2X10	.90/22.8	1.04/26.42		
-511	2X11	1.00/25.4	1.14/28.96		
-512	2X12	1.10/27.9	1.24/31.50		
-513	2X13	1.20/30.4	1.34/34.04		
-514	2X14	1.30/33.0	1.44/36.58		
-515	2X15	1.40/35.5	1.54/39.12		
-516	2X16	1.50/38.1	1.64/41.66		
-517	2X17	1.60/40.6	1.74/44.20		
-518	2X18	1.70/43.1	1.84/46.74		
-519	2X19	1.80/45.7	1.94/49.28		
-520	2X20	1.90/48.2	2.04/51.82		
-521	2X21	2.00/50.8	2.14/54.36		
-522	2X22	2.10/53.3	2.24/56.90		
-523	2X23	2.20/55.8	2.34/59.44		
-524	2X24	2.30/58.4	2.44/61.98		
-525	2X25	2.40/60.9	2.54/64.52		
-526	2X26	2.50/63.5	2.64/67.06		
-527	2X27	2.60/66.0	2.74/69.60		
-528	2X28	2.70/68.5	2.84/72.14		
-529	2X29	2.80/71.1	2.94/74.68		
-530	2X30	2.90/73.6	3.04/77.22		
-531	2X31	3.00/76.2	3.14/79.76		
-532	2X32	3.10/78.7	3.24/82.30		
-533	2X33	3.20/81.2	3.34/84.84		
-534	2X34	3.30/83.8	3.44/87.38		
-535	2X35	3.40/86.3	3.54/89.92		
-536	2X36	3.50/88.9	3.64/92.46		
-537	2X37	3.60/91.4	3.74/95.00		
-538	2X38	3.70/93.9	3.84/97.54		
-539	2X39	3.80/96.5	3.94/100.08		
66413-540	2X40	3.90/99.0	4.04/102.62	YES	NOTE 5,6

mat'l. code		surface ISO 1302	tolerance ISO 406 ISO 1101	projection 	product family PVHCC
ltr	ecn no	dr	date	tolerances unless otherwise specified	title
K				angles linear .xx ±.01/.3 .xxx ±.005/.13 .xxxx ±.0020/.051	2 X .100 CARD CONNECTOR
				0'±2'	INCH/MM scale 4:1
		dr	M. CLOUSER	5/23/94	dwg no
		enr	H. SUNDY	5/24/94	sheet 3 of 4 size
		chr	H. SUNDY	5/24/94	66413 A3
		appd	H. SUNDY	5/24/94	type Product Customer Drawing
sheet index	revision sheet				



FCIconnect.com

Copyright FCI

PRODUCT NUMBER	NO. OF POS.	DIM. A	DIM. B	INSULATION PLUG	LEAD FREE OPTION
66413-541	2X41	4.00/101.6	4.14/105.16	YES	NOTE 5,6
-542	2X42	4.10/104.1	4.24/107.70		
-543	2X43	4.20/106.6	4.34/110.24		
-544	2X44	4.30/109.2	4.44/112.78		
-545	2X45	4.40/111.7	4.54/115.32		
-546	2X46	4.50/114.3	4.64/117.86		
-547	2X47	4.60/116.8	4.74/120.40		
-548	2X48	4.70/119.3	4.84/122.94		
-549	2X49	4.80/121.9	4.94/125.48		
-550	2X50	4.90/124.4	5.04/128.02		
-551	2X51	5.00/127.0	5.14/130.56		
-552	2X52	5.10/129.5	5.24/133.10		
-553	2X53	5.20/132.0	5.34/135.64		
-554	2X54	5.30/134.6	5.44/138.18		
-555	2X55	5.40/137.1	5.54/140.72		
-556	2X56	5.50/139.7	5.64/143.26		
-557	2X57	5.60/142.2	5.74/145.80		
-558	2X58	5.70/144.7	5.84/148.34		
-559	2X59	5.80/147.3	5.94/150.88		
-560	2X60	5.90/149.8	6.04/153.42		
-561	2X61	6.00/152.4	6.14/155.96		
-563	2X63	6.20/157.4	6.34/161.04		
-564	2X64	6.30/160.0	6.44/163.58		
66413-565	2X65	6.40/162.5	6.54/166.12	YES	



FCJconnect.com

Copyright FCJ

mat'l. code		surface ISO 1302 <input checked="" type="checkbox"/>	tolerance ISO 406 ISO 1101	projection 	product family PVHCC
ltr	ecn no	dr	date	tolerances unless otherwise specified	title 2 X .100 CARD CONNECTOR
K				angles linear .xx ±.01/.3 .xxx ±.005/.13 .xxxx ±.0020/.051	
			0'±2'	scale 4:1	dwg no 66413
		dr	M. CLOUSER	5/23/94	sheet 4 of 4 size A3
		enr	H. SUNDY	5/24/94	type Product Customer Drawing
		chr	H. SUNDY	5/24/94	
		appd	H. SUNDY	5/24/94	
sheet index	revision sheet				

