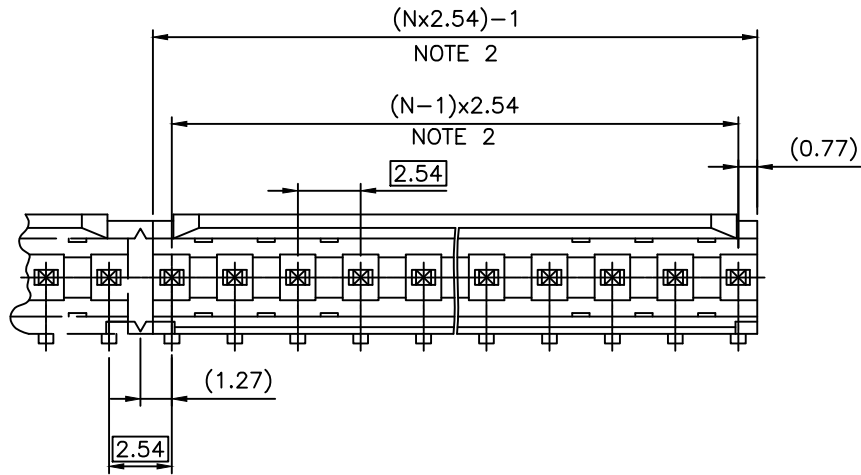
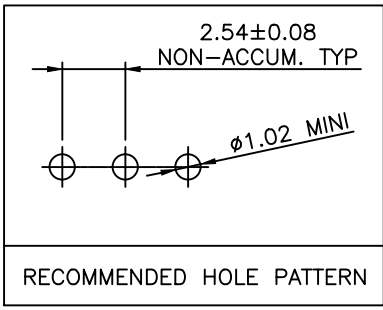
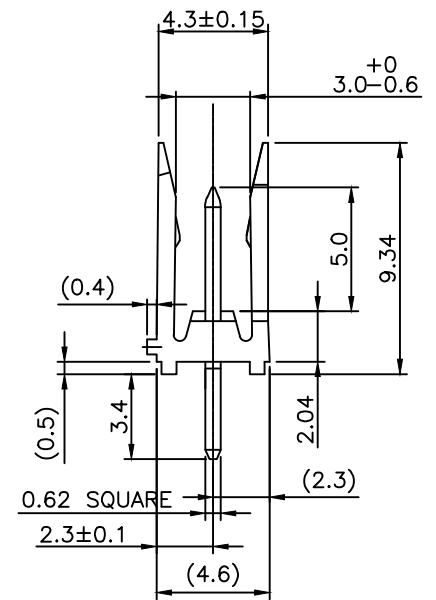
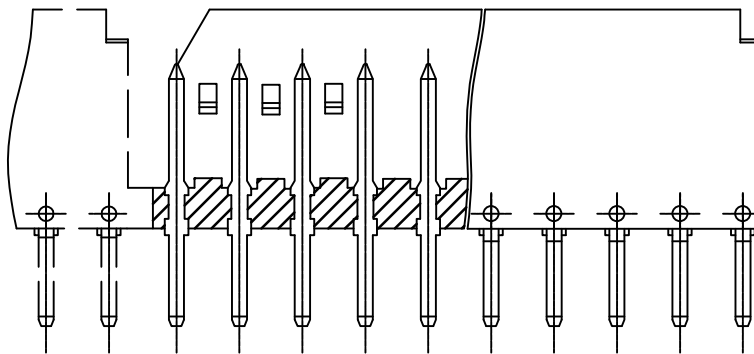


PRODUCT NUMBER
SEE SHEET 2



NOTES :

- MINI PUSH-OUT FORCE TERMINAL IN BOTH DIRECTIONS 22N.
- TO DETERMINE DIMENSIONS:
N = NUMBER OF POSITIONS PER ROW
EXAMPLE: 8 POS: $(N \times 2.54) - 1 = 19.32$ mm



mat'l. code		surface		tolerance		projection		product family	
SEE NOTES		ISO 1302		ISO 406 ISO 1101		mm		DUBOX	
ltr	ecn no	dr	date	tolerances unless otherwise specified		mm		title	
N	F06-0228	LMU	06.07.11	angles	.X ±0.3	mm		SHR. HEADER	
P	F06-0319	LMU	06.11.10	linear	.XX ±0.15	mm		STR SR TMT	
R	F07-0147	LMU	07.03.01		.XXX ±0.05	scale 5:1		sheet 1 of 2 size	
S	F07-0220	J.CO	07.06.14	dr	D LEGRAND	99.03.03		A3	
T	F08-0147	YOV	08.04.14	enrg	JM PHAMVAN	99.03.03		type	
U	B-19286	AMA	14.11.03	chr	JM PHAMVAN	99.03.03		CUSTOMER Drawing	
V	B-21014	BVE	15.06.01	appd	JM PHAMVAN	99.03.03			
sheet	revision	V	F						
index	sheet	1	2						



Copyright FCI

RoHS COMPLIANT PRODUCT NUMBER

76384-YXXLF

PLATING CODE _____

RoHS COMPLIANT, SEE NOTE 5

3= 0.76µm GOLD/GXT ON CONTACT AREA.

2µm MIN MATTE TIN ON TAIL.

4= 2µm MIN MATTE TIN FULL PLATED

NUMBER OF POSITIONS: 02 TO 18

1.27µm Ni MIN UNDERPLATING

NOTES:

- 1 - HOUSING MAT'L: THERMOPLASTIC GLASS FILLED
FLAME RETARDANT PER UL 94 V-O COLOR: BLACK.
- 2 - TERMINAL MATERIAL: COPPER ALLOY.
- 3 - 2 UP TO 6 POSITIONS, PRODUCT PACKED IN PLASTIC BAG.
7 UP TO 18 POSITIONS, PRODUCT PACKED IN TUBE.
- 4 - ONLY DASH NUMBER -X02 AND -X03
ALWAYS TEN (10) PRODUCTS MOLDED ASSEMBLY
& DELIVERED ON STRIP ACCORDING PHANTOM LINES.
- 5 - RoHS COMPATIBLE PRODUCT SPECIFICATIONS
 - a - PLATING:
 - "LF" MEANS THE PRODUCT IS LEAD-FREE,
2µm MINIMUM MATTE TIN OVER 1.27µm
MINIMUM NICKEL UNDERPLATE.
 - b - MANUFACTURING PROCESS COMPATIBILITY
 - THE HOUSING WILL WITHSTAND EXPOSURE TO
260°C ±5°C SOLDER BATH TEMPERATURE FOR
5 SECONDS IN A WAVE SOLDER APPLICATION
WITH A 1.6mm MIN THICK CIRCUIT BOARD.
 - c - LABELING:
 - MEETS PACKAGING SPECS AS PER GS-14-920
 - d - LEGAL STATEMENT: SEE GS-47-0004

mat'l. code		surface		tolerance		projection		product family	
SEE NOTES		ISO 1302 ✓		ISO 406 ISO 1101				DUBOX	
ltr	ecn no	dr	date	tolerances unless otherwise specified				title	
A	F05-0159	LMU	05.03.31	angles	linear	.X	±0.3	SHR. HEADER	
B	F06-0228	LMU	06.07.11			.XX	±0.15	STR SR TMT	
C	F07-0147	LMU	07.03.01			.XXX	±0.05	scale 5:1	
D	F07-0220	JCO	07.06.14	dr	L.MULIN		05.03.25	dwg no	
E	F08-0147	YOV	08.04.14	engr	J.COMPAGNON		05.03.25	sheet 2 of	
F	B-19286	AMA	14.11.03	chr				76384	
				appd	JM.C		05.03.25	size	
								A3	
								type	
								CUSTOMER Drawing	
sheet	revision								
index	sheet								