

PRODUCT NUMBER
76745-YXX-XXLF

- RoHS COMPATIBLE, SEE NOTE 8
- TOTAL NB OF POS (04 TO 72 POS)
- OPTION LETTER, SEE NOTE 6
- PIN STYLE

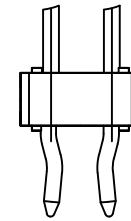
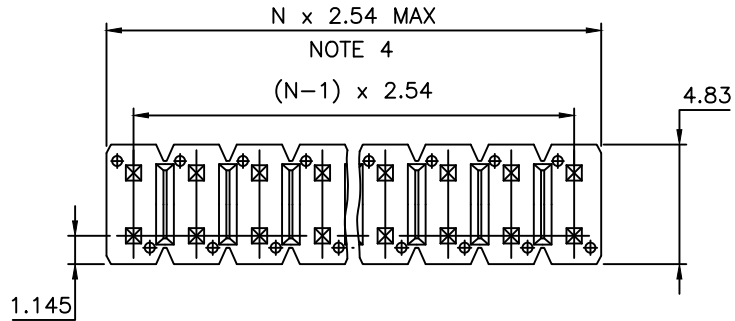
- PLATING
- 1 = 0.76µm GOLD/GXT,
 - 3 = 2µm MIN MATTE TIN FULL PLATED
 - 5 / 8 = 0.38µm GOLD/GXT
 - 1.27µm Ni MIN UNDERPLATING

NOTES:

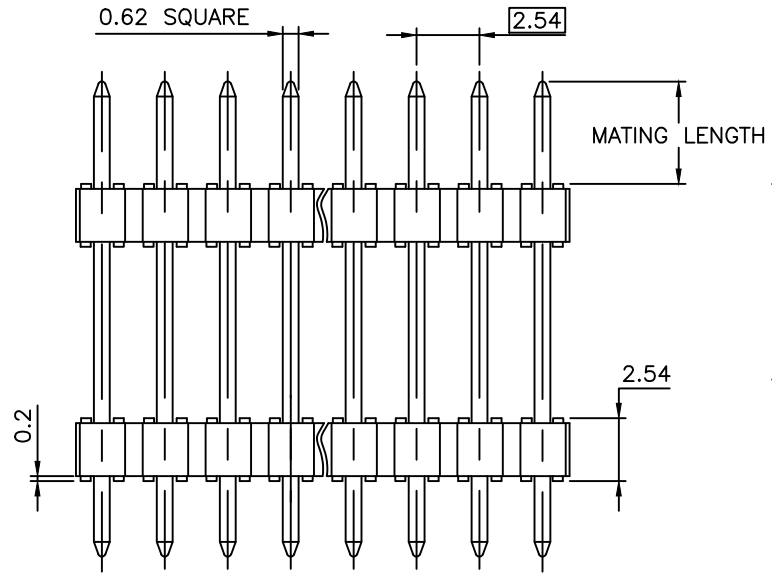
1. HOUSING MAT'L : HIGH TEMPERATURE THERMOPLASTIC. UL94V-0 COLOR: BLACK.
2. PIN MATERIAL : PHOSPHOR BRONZE.
3. 12N MIN RETENTION IN EITHER DIRECTION.
4. TO DETERMINE DIMENSIONS :
N = NUMBER OF POSITIONS PER ROW
EXAMPLE : 8 POS PER ROW, N x 2.54 = 20.32mm
5. FOR STANDARD SELECTIVE GOLD PLATED PRODUCTS SEE DRAWINGS 54111 & 54121.
6. OTPION LETTER :
- = STANDARD PACKAGING IN POLYBAG
V = POLYBAGS PACKAGING FOR CUSTOMER DEDICATED PART
B = TUBE WITH PICK UP CAP AS AVAILABLE
7. RETENTION IS APPLIED TO TWO ADJACENT PINS AT EACH END OF THE PRODUCT SEE SCHEMA 1
OMIT FROM PRODUCT NUMBER IF THIS FEATURE IS NOT APPLICABLE

8. RoHS COMPATIBLE PRODUCT SPECIFICATIONS

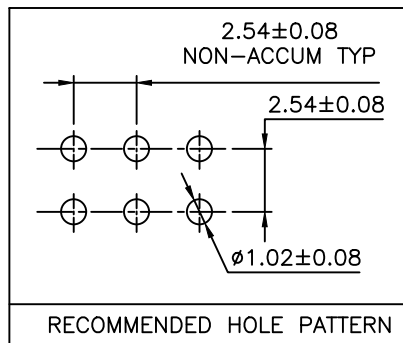
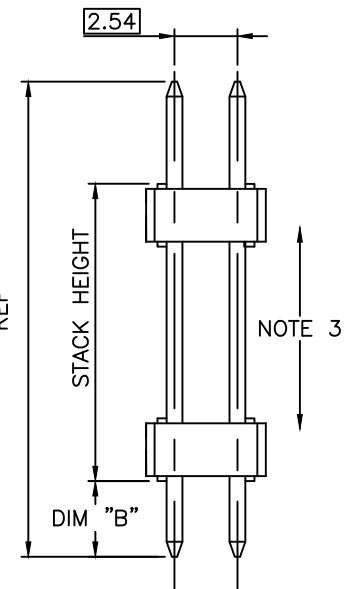
- a - PLATING:
- "LF" MEANS THE PRODUCT IS LEAD-FREE, 2µm MINIMUM MATTE TIN OVER 1.27µm MINIMUM NICKEL UNDERPLATE.
- b - MANUFACTURING PROCESS COMPATIBILITY
- THE HOUSING WILL WITHSTAND EXPOSURE TO 260°C ±5°C SOLDER BATH TEMPERATURE FOR WITH A 1.6mm MIN THICK CIRCUIT BOARD.
- c - LABELING:
- MEETS PACKAGING SPECS AS PER GS-14-920
- d - LEGAL STATEMENT: SEE GS-47-0004



SCHEMA 1
TWO RETENTION PIN AT EACH END OF THE PRODUCT



OAL (OVERALL LENGTH) REF



mat'l. code		surface		tolerance		projection		product family	
SEE NOTES		ISO 1302		ISO 406 ISO 1101		mm		BSTIK	
lfr	ecn no	dr	date	tolerances unless otherwise specified				title	
FF	B-19782	AMA	14.12.18	angles	xx ±0.3			HEADER STR,DR	
FG	B-20322	AMA	15.01.27	linear	xx ±0.13			DOUBLE BODY	
FH	F-22479	BVE	15.11.12		xxx ±0.05	scale 5:1		dwg no	
FK	F-28617	DDE	17.11.27	dr	NIZZI P	94.05.05		sheet 1 of 4 size	
				enrg	COMPAGNON J	95.12.05		76745	
FD	B-19264	LMU	14.11.03	chr				A3	
FE	B-19345	LMU	14.11.07	appd	JMC	95.12.05		type CUSTOMER Drawing	
sheet	revision	FK	CC	F	A				
index	sheet	1	2	3	4				



1

2

4

5

6

APPLICATION SPECIFIC

PIN STYLE	MATING LENGTH ±0.2	STACK HEIGHT ±0.25	"B" ±0.25	("OAL") REF
01	8.71	19.76	2.65	31.12
02	6.87	16.5	3.05	26.42
03	6.87	13.0	3.63	23.5
04	5.6	6.5	2.88	14.98
05	5.51	8.0	3.05	16.56
06	6.61	11.3	3.05	20.96
07	5.58	10.3	2.54	18.42
08	5.81	7.7	3.05	16.56
09	5.72	5.08	2.54	13.34
10	6.9	10.45	2.71	20.06
11	11.2	9.5	2.8	23.5
13	9.07	6.3	3.05	18.42
14	5.33	21.5	2.48	29.31
17	7.5	23.45	3.05	34.0
19	9.5	10.45	3.55	23.5
21	11.96	18.5	3.2	33.66
23	9.0	25.9	3.05	37.95
24	8.87	14.5	3.05	26.42
25	9.84	11.43	9.85	31.12
28	6.6	8.25	2.8	17.65
29	9.1	15.7	3.2	28.0
34	8.0	12.0	3.0	23.0
36	10.55	7.5	10.53	28.58
40	7.0	6.5	3.06	16.56
55	13.0	20.0	3.2	36.2
57	11.78	5.08	3.23	20.06
58	23.0	8.5	5.5	36.97
59	9.0	18.2	9.0	36.2
62	9.2	9.3	3.5	22.0
68	6.75	8.0	2.9	17.65
71	6.8	5.2	2.69	14.69
79	9.95	39.0	3.05	52.0
80	5.68	7.0	2.3	15.0
88	10.8	8.0	3.7	22.5
AN	10.0	29.0	3.0	42.0
BD	11.7	13.5	3.21	28.41
BM	11.5	11.5	3.04	26.04
BT	8.5	35.0	8.5	52.0
CB	9.0	30.0	3.0	42.0
CD	9.24	12.0	9.24	30.48

SEE SHEET 3

APPLICATION SPECIFIC

PIN STYLE	MATING LENGTH ±0.2	STACK HEIGHT ±0.25	"B" ±0.25	("OAL") REF
CF	8.25	16.0	8.25	32.5
CG	6.0	40.0	6.0	52.0
CH	11.02	12.0	3.02	26.04
CN	7.08	5.60	7.08	19.77
CP	9.50	7.00	2.41	18.91
CT	11.0	6.0	11.0	28.0
CU	9.75	13.0	9.75	32.5
CV	9.44	13.00	3.60	26.04
CW	5.00	36.00	5.00	46.00
CX	10.00	26.00	6.00	42.00
CY	10.9	18.20	10.9	40.00
CZ	5.5	23.00	5.50	34.00
DA	13.00	14.50	6.50	34.00
DB	12.75	8.50	12.75	34.00
DC	SEE SHEET 3			
DE	6.00	34.00	6.00	46.00
DF	9.12	7.80	9.12	26.04
DG	3.50	43.00	3.50	50.00
DH	6.50	8.00	6.50	21.00
DJ	5.80	17.75	5.80	29.31
DK	5.40	9.00	2.90	17.30
DL	9.00	8.50	6.00	23.50
DM	7.40	23.70	3.30	34.40
DN	7.40	12.10	3.30	22.80
DP	8.00	16.80	5.40	30.20
DR	6.40	15.00	6.40	27.80
DS	7.00	29.00	7.00	43.00
DT	9.80	27.40	9.80	47.00
DU	9.50	36.50	9.50	55.50
DV	9.30	6.30	5.80	22.00
DW	5.30	40.40	3.30	49.00

SEE SHEET 3

SEE SHEET 3

APPLICATION SPECIFIC

PIN STYLE	MATING LENGTH ±0.2	STACK HEIGHT ±0.25	"B" ±0.25	("OAL") REF
DX	6.50	12.50	6.50	25.50
DY	6.50	9.50	6.50	22.50
EA	6.65	32.30	3.05	42.00
EB	2.66	15.00	5.84	23.50
EC	10.00	39.60	2.40	52.00
ED	5.40	57.20	2.40	65.00
EF	5.84	46.50	3.05	55.40
EG	5.60	20.00	5.64	31.24
EH	4.60	15.00	1.50	21.10
EJ	9.26	5.08	9.26	23.60
EK	6.00	7.50	6.00	19.50
EL	6.00	12.30	4.10	22.40
EM	9.00	9.30	6.21	24.51
EN	5.75	26.90	5.75	38.40

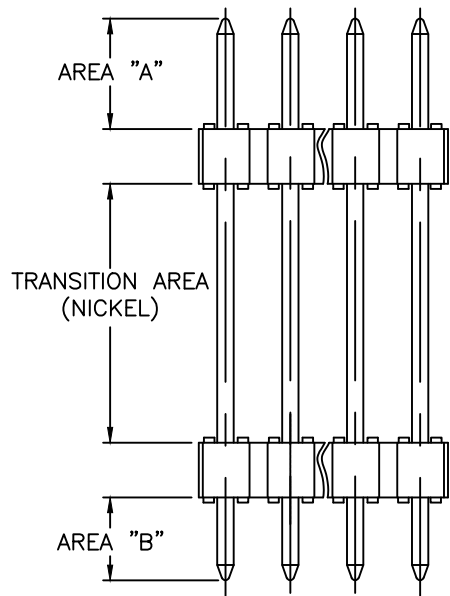


FCIconnect.com

Copyright FCI

mat'l. code		surface		tolerance		projection		product family	
		ISO 1302 <input checked="" type="checkbox"/>		ISO 406 ISO 1101				BSTIK	
ltr		ecn no		dr		date		title	
CB		B-20322		AMA		15.01.27		HEADER STR,DR	
CC		F-28617		DDE		17.11.27		DOUBLE BODY	
		angles		linear		mm		scale	
BW		F11-0045		LMU		11.04.04		dr	
BX		F12-0090		JFA		12.12.07		enr	
BY		B-16665		LMU		14.01.06		chr	
CA		B-1345		LMU		14.11.07		appd	
sheet		revision							
index		sheet							
								dwg no	
								sheet 2 of 4	
								size	
								76745	
								A3	
								type	
								CUSTOMER	
								Drawing	





SPECIFICS PLATING AREA FOR PART NUMBERS :

- P/N 76745-1CH-10LF
- P/N 76745-1CH-18LF
- P/N 76745-579R24LF
- P/N 76745-579R30LF
- P/N 76745-1CU-20LF
- P/N 76745-1DF-26LF

AREA "A" & "B" : GOLD/GXT PLATING AREA



Copyright FCI

mat'l. code		surface		tolerance		projection		product family	
		ISO 1302		ISO 406 ISO 1101				BSTIK	
ltr	ecn no	dr	date	tolerances unless otherwise specified				title	
A	F06-110	LMU	06.01.26	angles	Linear	mm		HEADER STR,DR	
B	F06-0196	LMU	06.06.20					DOUBLE BODY	
C	F07-0266	J.CO	07.10.15			scale		dwg no	
D	F12-0023	LMU	12.06.06	dr	L.MULIN	06.01.31			sheet 3 of 4 size
E	F12-0090	JFA	12.12.07	enrg	J.COMPAGNON	06.01.31	76745		A3
F	B-16665	LMU	14..01.06	chr			type		CUSTOMER Drawing
sheet index		revision sheet		appd		JMC	06.01.31		

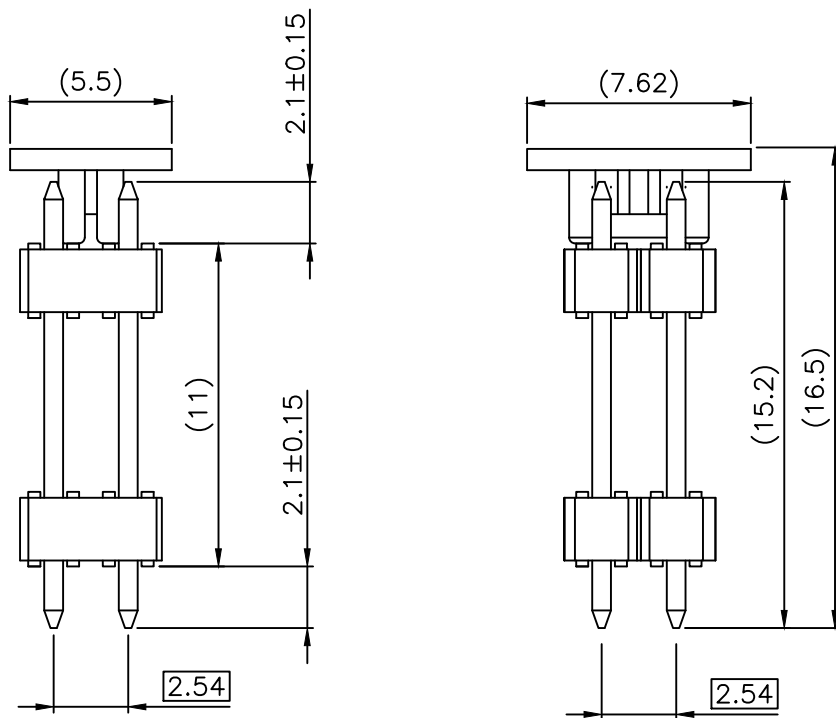
SPECIFIC PRODUCT NUMBER

76745-3DCA04LF

- RoHs COMPLIANT
- TOTAL NB OF POS
- PACKAGING TYPE, SEE NOTE 1
- PIN STYLE
- PLATING
3 = 2µm MATTE TIN
OVER 1.27µm Ni MIN

NOTES :

1. PACKAGING : A = TAPE & REEL PACKAGING
WITH PICK UP CAP INSTALLED
SEE TA 840
2. PRODUCT COMPATIBLE WITH REFLOW PROCESS.
255°C PEAK TEMPERATURE 10-40 SECONDES IN
A CONVECTION, INFRA-RED OR VAPOR PHASE



mat'l. code		surface		tolerance		projection		product family	
		ISO 1302 ✓		ISO 406 ISO 1101				BSTIK	
ltr	ecn no	dr	date	tolerances unless otherwise specified		mm		title	
A	B-16665	LMU	14.01.06	angles	linear			HEADER STR,DR DOUBLE BODY	
		dr	L.MULIN	13.02.18	scale		dwg no		sheet 4 of 4
		enr	J.COMPAGNON	13.02.18			76745		A3
		chr					type		CUSTOMER Drawing
		appd	JMC	13.02.18					
sheet index	revision sheet								