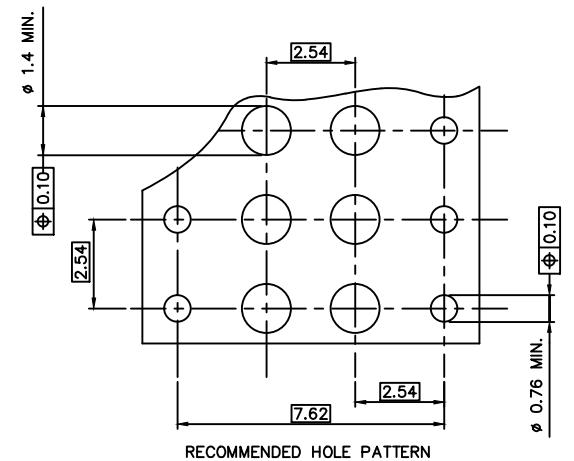
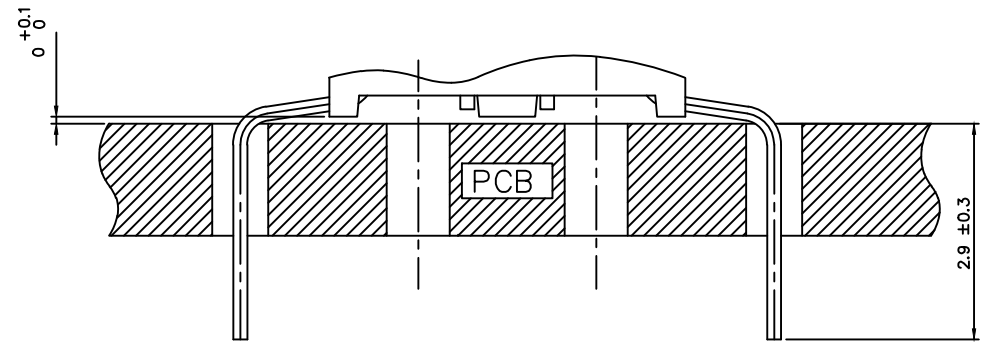


PRODUCT N°	NB of POS.	DIM"C"	DIM"D"	CONTACT PLACED IN CAVITY (SEE VIEW "A")																			
				1	2	3	4	5	6	7	8	9	10	11	12	13	14	15	16	17	18	19	20
95264-Y01(H)LF	2x10	22.86	25.32	X	X		X	X	X	X	X	X	X										
95264-Y02(H)LF	2x15	35.56	38.02	X	X		X	X	X	X	X	X	X	X	X	X							
95264-Y03(H)LF	2x11	35.56	38.02	X	X	X	X	X	X	X	X	X	X										
95264-Y04(H)LF	2x10	22.86	25.32	X	X	X	X	X	X	X	X	X	X										
95264-Y05(H)LF	2x4	7.62	10.08	X	X	X																	
95264-Y06(H)LF	2x5	10.16	12.62	X	X	X	X																
95264-Y07(H)LF	2x3	5.08	7.54	X	X																		
95264-Y08(H)LF	2x7	15.24	17.7	X	X	X	X	X	X														
95264-Y09(H)LF	2x14	33.02	35.48	X	X	X	X	X	X	X	X	X	X	X	X								
95264-Y10(H)LF	2x20	48.26	50.72	X		X		X		X		X		X		X		X		X			



95264-6XX(H)LF	2µm Au MIN. OVER 1.3µm Ni MIN.	Sn OVER Ni
95264-8XX(H)LF	0.4µm Au MIN. OVER 1.3µm Ni MIN.	Sn OVER Ni
95264-4XX(H)LF	5µm Sn MIN. OVER 1.27µm Ni MIN.	Sn OVER Ni
95264-3XX(H)LF	0.75µm Au MIN. OVER 1.3µm Ni MIN.	Sn OVER Ni
PLATING CODE	CONTACT AREA	SOLDER TAIL
PLATING EXPLANATION		

mat'l. code	surface	tolerance	projection	product family
SEE NOTES	ISO 1902	ISO 406 ISO 101		DX VCC DR
lfr ecn no dr date	tolerances unless otherwise specified	±0.3	mm	title
H F06-0204 DLE 06.06.28	angles	linear	scale 10:1	SPREADED LEGS
J B-19124 LMU 14.10.21	±2°			.300 SELECT. LOADED
D F70829 PNZ 97.09.25 dr P.NIZZI 96.10.23				dwg no
E F80638 VMO 96.10.14 engr JM.PHAMVAN 96.10.23				95264
F F20161 DLE 02.02.25 chr P.NIZZI 96.10.23				sheet 2 of - size
G F04-0347 DLE 04.11.15 app J.M.P 96.10.23				A2
sheet	revision			type
index	sheet			CUSTOMER Drawing