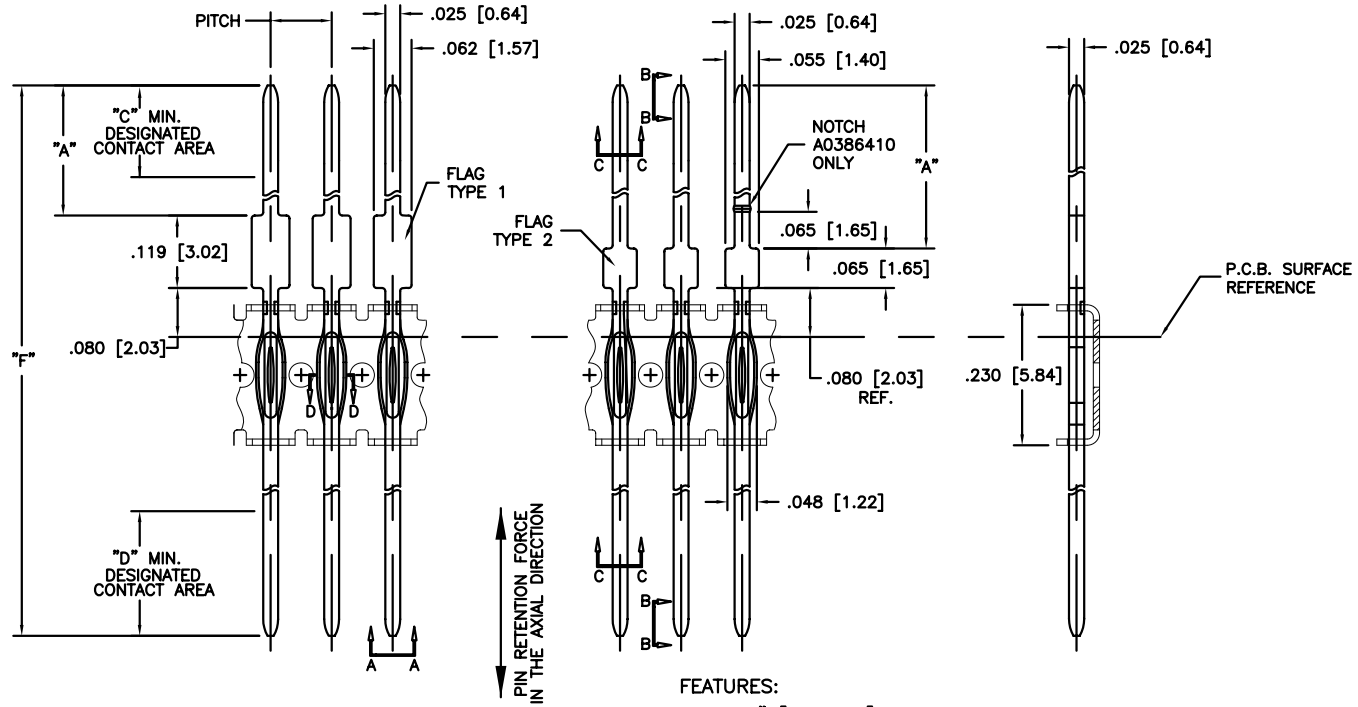


PRODUCT NUMBER
SEE TABLE



FEATURES:

- * .025" [0.63mm] SQUARE PINS
- * PRESS FIT COMPLIANT WITH PCB HOLE, FINISHED HOLE SIZE 0.040+.003/-0.002 [1.016+0.07/-0.05]
- * SELECTIVE GOLD PLATING IN CONTACT AREA (2 SIDED)
- * GOLD, TIN-LEAD OR TIN PLATING AT EITHER END
- * PROGRESSIVE TAPER NOSE (4 SIDES) AT BOTH ENDS FOR SMOOTH ENGAGEMENT IN FEMALE CONTACT
- * BANDOLIERED (.100" [2.54mm], .125" [3.18mm], .150" [3.81mm] PITCH) FOR BACKPANEL OR SHROUD
- * TIN-LEAD OR TIN PLATING IN AREA WHERE MATING TO BOARD
- * COMPLIANT SECTION DESIGNED FOR RETENTION IN .093" [2.36mm] THICK PCB TYPICALLY
- * WITHSTANDS SOLDERLESS WRAP CONNECTIONS

OPTIONS:

- * PIN LENGTHS
- * BANDOLIER PITCH (.100" [2.54], .125" [3.18], .150" [3.81])
- * GOLD, TIN-LEAD AND TIN PLATING LENGTHS
- * GOLD THICKNESS
- * COMPLIANT SECTION LOCATION IN THE BANDOLIER
- * FLAG TYPE OPTIONS

SPECIFICATIONS-MECHANICAL:

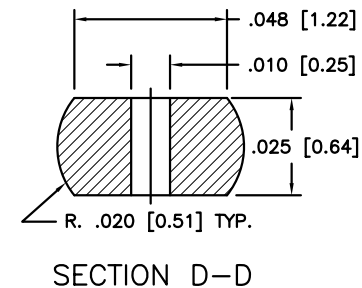
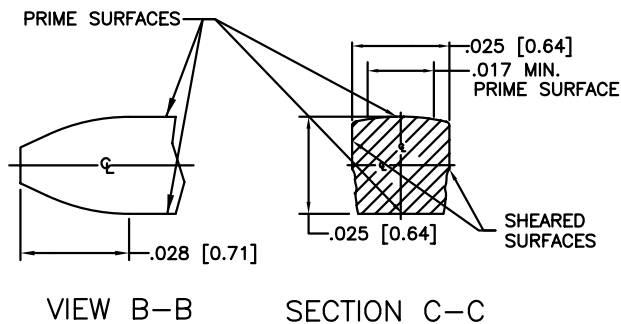
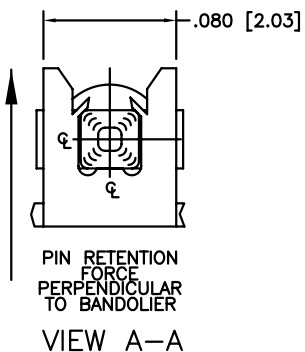
- * DURABILITY: 200 CYCLES
- * PERPENDICULAR PUSH OUT FORCE: 3-5.5 LBS / PIN TYP.
- * AXIAL PUSH OUT FORCE: NOT MOVE PRIOR TO 30 GRAMS
- * OPERATING TEMPERATURE: -55°C TO +85°C

SPECIFICATIONS-ELECTRICAL:

- * CURRENT RATING(CONTINUOUS): 2 AMP/CONTACT MAX

mat'l. code SEE NOTE 1		surface	tolerance	projection	product family
E V06-0103 HTB 2/2/06					NORCON
F V06-0354 HTB 4/17/06		tolerances unless otherwise specified	angles	linear	title
				INCH/MM	FREE STANDING PINS COMPLIANT BACKPANEL
				scale N.T.S.	sheet 1 of 5 size
		dr	T. BREWBAKER	2/2/06	dwg no
		engr	T. BREWBAKER	2/2/06	54366
		chr	T. BREWBAKER	2/2/06	A3
		appd	T. BREWBAKER	2/2/06	type
					Product Customer Drawing
sheet	revision	F	F	F	F
index	sheet	1	2	3	4

PRODUCT NUMBER
SEE TABLE



NOTES:

1. BANDOLIER MATERIAL: C26000
PIN MATERIAL: C51000
CONTACT AREA FINISH: $30\mu'' / 0.76\mu$ Au
CONTACT UNDERPLATE: $50\mu'' / 1.27\mu$ Ni
C-SECTION AREA FINISH: $20-70\mu'' / 0.51-1.78\mu$ SnPb
LF C-SECTION AREA FINISH: $20-70\mu'' / 0.51-1.78\mu$ Sn
WIRE WRAP TAIL FINISH: $100-200\mu'' / 2.54-5.08\mu$ SnPb
LF WIRE WRAP TAIL FINISH: $100\mu'' / 2.54\mu$ Sn
2. PACKAGING: MEDITE/MASONITE REELS WITH PAPER INTERLEAVE
RIGHT OR LEFT REELING OPTION (PER DRAWING 57399)
3. PART NUMBERS WITH AN LF SUFFIX MEET EUROPEAN UNION DIRECTIVES AND OTHER COUNTRY REGULATIONS AS DESCRIBED IN GS-22-008.
4. PART NUMBERS WITH AN LF SUFFIX HAVE 100% TIN PLATING IN THE INTERFACE AND HAVE NOT BEEN TESTED FOR WHISKER GROWTH IN ALL INTERCONNECT ENVIRONMENTS.

mat'l. code SEE NOTE 1				surface <input checked="" type="checkbox"/> tolerance		projection		product family NORCON	
ltr	ecr no	dr	date	tolerances unless otherwise specified		INCH/MM		title FREE STANDING PINS COMPLIANT BACKPANEL	
F				angles	linear	.0004±.005/.004±.13		scale N.T.S.	
				dr	T. BREWBAKER	2/2/06			dwg no 54366
				engr	T. BREWBAKER	2/2/06			sheet 2 of 5 size A3
				chr	T. BREWBAKER	2/2/06			
				appd	T. BREWBAKER	2/2/06			
sheet	revision								type Product Customer Drawing
index	sheet								

PRODUCT NUMBER	ENG. CODE	PIN ID	PITCH	FLAG TYPE	DIM "A"	DIM "C" PRIMARY SIDE	DIM "D" SECONDARY SIDE	DIM "F" PIN LENGTH	AVG. QTY. PER REEL
A0354258	NPS25230L3D								
A0354259	NPS25230L4C								
A0354260	NPS25230L5B	-13B	.150 [3.81]	2	.365 [9.27]	.200 [5.08] Au	.200 [5.08] Au	1.110 [28.19]	26,500
A0354260LF	-	-13B	.150 [3.81]	2	.365 [9.27]	.200 [5.08] Au	.200 [5.08] Au	1.110 [28.19]	26,500
A0354261	NPS25230L6D								
A0354263	NPS25230L8B								
A0354264	NPS25230L9D								
A0354265	NPS25230L10C								
A0354266	NPS25230L11B								
A0354273	NPS25230L18D	-1D	.100 [2.54]	1	.263 [6.68]	.200 [5.08] Au	.200 [5.08] Au	1.235 [31.37]	40,000
A0354273LF	-	-1D	.100 [2.54]	1	.263 [6.68]	.200 [5.08] Au	.200 [5.08] Au	1.235 [31.37]	40,000
A0354274	NPS25230L19C								
A0354274LF	-								
A0354275	NPS25230L20B								
A0354275LF	-								
A0354276	NPS25230L21D	-2D	.100 [2.54]	1	.313 [7.95]	.250 [6.35] Au	.250 [6.35] Au	1.335 [33.90]	40,000
A0354276LF	-	-2D	.100 [2.54]	1	.313 [7.95]	.250 [6.35] Au	.250 [6.35] Au	1.335 [33.90]	40,000
A0354277	NPS25230L22C								
A0354277LF	-								
A0354278	NPS25230L23B								
A0354278LF	-								
A0354385	NPS25230L24D	-5D	.100 [2.54]	1	.263 [6.68]	.200 [5.08] Au	N/A SnPb	.880 [22.35]	40,000
A0354385LF	-	-5D	.100 [2.54]	1	.263 [6.68]	.200 [5.08] Au	N/A Sn	.880 [22.35]	40,000
A0354386	NPS25230L25D	-6D	.100 [2.54]	1	.313 [7.95]	.250 [6.35] Au	N/A SnPb	.930 [23.62]	40,000
A0354386LF	-	-6D	.100 [2.54]	1	.313 [7.95]	.250 [6.35] Au	N/A Sn	.930 [23.62]	40,000
A0367267	NPS25230L29C	-9C	.125 [3.18]	2	.365 [9.27]	.200 [5.08] Au	N/A SnPb	1.130 [28.70]	32,000
A0367267LF	-	-9C	.125 [3.18]	2	.365 [9.27]	.200 [5.08] Au	N/A Sn	1.130 [28.70]	32,000

LEGEND:
 Au: GOLD
 SnPb: TIN/LEAD
 Sn: TIN

mat'l. code SEE NOTE 1				surface <input checked="" type="checkbox"/> tolerance		projection		product family NORCON	
lfr	ecr no	dr	date	tolerances unless otherwise specified		INCH/MM		title FREE STANDING PINS COMPLIANT BACKPANEL	
F				angles	linear .0004-.005/.004-.13	scale N.T.S.		dwg no 54366	
				dr	T. BREWBAKER 2/2/06			sheet 3 of 5 size A3	
				engr	T. BREWBAKER 2/2/06				
				chr	T. BREWBAKER 2/2/06				
				appd	T. BREWBAKER 2/2/06				
sheet index	revision							type Product Customer Drawing	



PRODUCT NUMBER	ENG. CODE	PIN ID	PITCH	FLAG TYPE	DIM "A"	DIM "C" PRIMARY SIDE	DIM "D" SECONDARY SIDE	DIM "F" PIN LENGTH	AVG. QTY. PER REEL
A0367268	NPS25230L30C	-9C	.125 [3.18]	2	.365 [9.27]	.200 [5.08] Au	.200 [5.08] Au	1.130 [28.70]	32,000
A0367268LF	-	-9C	.125 [3.18]	2	.365 [9.27]	.200 [5.08] Au	.200 [5.08] Au	1.130 [28.70]	32,000
A0367269	NPS25230L31C	-11C	.125 [3.18]	2	.465 [11.81]	.300 [7.62] Au	.200 [5.08] Au	1.230 [31.24]	32,000
A0367269LF	-	-11C	.125 [3.18]	2	.465 [11.81]	.300 [7.62] Au	.200 [5.08] Au	1.230 [31.24]	32,000
A0367271	NPS25230L32C	-7C	.125 [3.18]	2	.365 [9.27]	.200 [5.08] Au	N/A SnPb	.760 [19.30]	32,000
A0367271LF	-	-7C	.125 [3.18]	2	.365 [9.27]	.200 [5.08] Au	N/A Sn	.760 [19.30]	32,000
A0367835	NPS25230L33B	-7B	.150 [3.81]	2	.365 [9.27]	.200 [5.08] Au	N/A SnPb	.760 [19.30]	26,500
A0367835LF	-	-7B	.150 [3.81]	2	.365 [9.27]	.200 [5.08] Au	N/A Sn	.760 [19.30]	26,500
A0369182	NPS25230L36D	D I S C O N T I N U E D							
A0369183	NPS25230L37C	D I S C O N T I N U E D							
A0369184	NPS25230L38B	D I S C O N T I N U E D							
A0369185	NPS25230L39D	D I S C O N T I N U E D							
A0369185LF	-	D I S C O N T I N U E D							
A0369186	NPS25230L40B	D I S C O N T I N U E D							
A0369186LF	-	D I S C O N T I N U E D							
A0369187	NPS25230L41D	D I S C O N T I N U E D							
A0369187LF	-	D I S C O N T I N U E D							
A0369188	NPS25230L42B	-9B	.150 [3.81]	2	.365 [9.27]	.200 [5.08] Au	.200 [5.08] Au	1.130 [28.70]	26,500
A0369188LF	-	-9B	.150 [3.81]	2	.365 [9.27]	.200 [5.08] Au	.200 [5.08] Au	1.130 [28.70]	26,500
A0369192	NPS25230L46D	D I S C O N T I N U E D							
A0369193	NPS25230L47C	D I S C O N T I N U E D							
A0369194	NPS25230L48B	D I S C O N T I N U E D							
A0369195	NPS25230L49D	-8D	.100 [2.54]	2	.465 [11.81]	.300 [7.62] Au	N/A SnPb	.860 [21.84]	40,000
A0369195LF	-	-8D	.100 [2.54]	2	.465 [11.81]	.300 [7.62] Au	N/A Sn	.860 [21.84]	40,000
A0369196	NPS25230L50C	-8C	.125 [3.18]	2	.465 [11.81]	.300 [7.62] Au	N/A SnPb	.860 [21.84]	32,000
A0369196LF	-	-8C	.125 [3.18]	2	.465 [11.81]	.300 [7.62] Au	N/A Sn	.860 [21.84]	32,000
A0369197	NPS25230L51B	D I S C O N T I N U E D							

LEGEND:
 Au: GOLD
 SnPb: TIN/LEAD
 Sn: TIN

mat'l. code SEE NOTE 1				surface <input checked="" type="checkbox"/> tolerance		projection		product family NORCON	
ltr	ecn no	dr	date	tolerances unless otherwise specified		INCH/MM		title FREE STANDING PINS COMPLIANT BACKPANEL	
F				angles	linear .0004-.005/.004-.13	scale N.T.S.		dwg no 54366	
				dr	T. BREWBAKER 2/2/06			sheet 4 of 5 size A3	
				engr	T. BREWBAKER 2/2/06			type Product Customer Drawing	
				chr	T. BREWBAKER 2/2/06				
				appd	T. BREWBAKER 2/2/06				
sheet index	revision								

PRODUCT NUMBER	ENG. CODE	PIN ID	PITCH	FLAG TYPE	DIM "A"	DIM "C" PRIMARY SIDE	DIM "D" SECONDARY SIDE	DIM "F" PIN LENGTH	AVG. QTY. PER REEL	
A0369198	NPS25230L52D				DISCONTINUED					
A0369199	NPS25230L53C				DISCONTINUED					
A0369199LF	-				DISCONTINUED					
A0369200	NPS25230L54B				DISCONTINUED					
A0369200LF	-				DISCONTINUED					
A0369301	NPS25230L55C				DISCONTINUED					
A0369301LF	-				DISCONTINUED					
A0369302	NPS25230L56B				DISCONTINUED					
A0369302LF	-				DISCONTINUED					
A0376521	NPS25230L64D				DISCONTINUED					
A0379660	NPS25230L65C				DISCONTINUED					
A0379661	NPS25230L65B				DISCONTINUED					
A0386410	NPS25230L59C				DISCONTINUED					
A0386423	NPS25230L60B				DISCONTINUED					
A0386424	NPS25230L60D				DISCONTINUED					
A0386425	NPS25230L61B				DISCONTINUED					
A0386426	NPS25230L61D				DISCONTINUED					
A0386427	NPS25230L62B	-16B	.150 [3.81]	2	.335 [8.50]	.250 [6.35] Au	N/A SnPb	.730 [18.54]	26,500	
A0386427LF	-	-16B	.150 [3.81]	2	.335 [8.50]	.250 [6.35] Au	N/A Sn	.730 [18.54]	26,500	
A0386428	NPS25230L62D				DISCONTINUED					
A0600173	NPS25230L67D	-19D	.100 [2.54]	1	.328 [8.33]	.300 [7.62] Au	N/A SnPb	.945 [24.00]	40,000	
A0600173LF	-	-19D	.100 [2.54]	1	.328 [8.33]	.300 [7.62] Au	N/A Sn	.945 [24.00]	40,000	
A0609814	NPS25230L70B				DISCONTINUED					
A0623351	NPS25230L71D	-22D	.100 [2.54]	1	.263 [6.68]	.200 [5.08] Au	N/A SnPb	.782 [19.86]	40,000	
A0623351LF	-	-22D	.100 [2.54]	1	.263 [6.68]	.200 [5.08] Au	N/A Sn	.782 [19.86]	40,000	
A0623362	NPS25230L72D				DISCONTINUED					

LEGEND:
 Au: GOLD
 SnPb: TIN/LEAD
 Sn: TIN

mat'l. code SEE NOTE 1				surface <input checked="" type="checkbox"/> tolerance		projection		product family NORCON	
ltr	ecr no	dr	date	tolerances unless otherwise specified		INCH/MM		title FREE STANDING PINS COMPLIANT BACKPANEL	
F				angles	linear .0002-.005/.002-.13	scale N.T.S.		dwg no 54366	
				dr	T. BREWBAKER 2/2/06			sheet 5 of 5 size A3	
				engr	T. BREWBAKER 2/2/06			type Product Customer Drawing	
				chr	T. BREWBAKER 2/2/06				
				appd	T. BREWBAKER 2/2/06				
sheet index	revision								