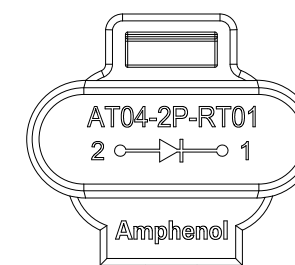
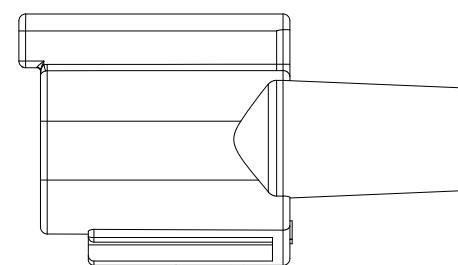
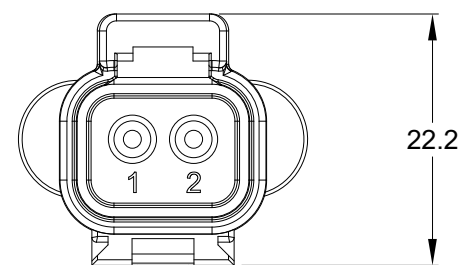
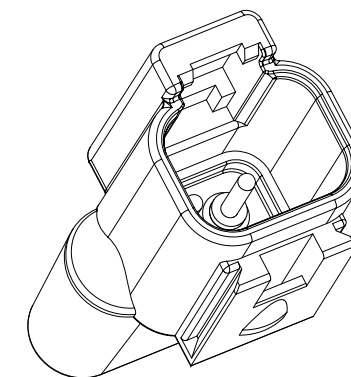
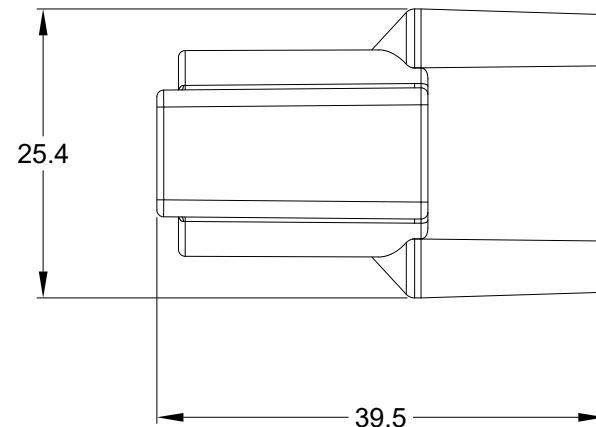
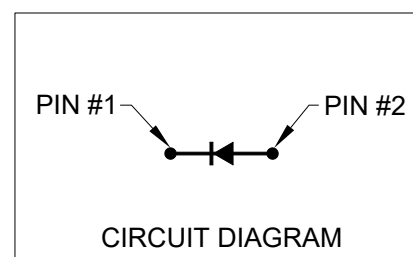


REVISIONS					
REV	ECO	DESCRIPTION	DATE	BY	APPR
A1	-	RELEASE	14MAY19	SULLEN	TOMMY
A2	-	UPDATE TO IP68	8/22/25	RO	TZ



NOTES: UNLESS OTHERWISE SPECIFIED

- MATERIAL:
HOUSING: THERMOPLASTIC, BLACK
CONTACT: COPPER ALLOY
CONTACT PLATING: NICKEL PLATED
- MODIFICATIONS: DIODE
- SPECIFICATIONS:
 - DIODE P/N: MUR460G
 - PEAK REVERSE VOLTAGE: 600.0 V MAX.
 - PEAK FORWARD VOLTAGE: 1.28 V MAX.
 - AVERAGE FORWARD CURRENT: 4.0 A MAX.
 - OPERATING TEMPERATURE: -55°C TO +125°C
 - MOISTURE RESISTANCE: IP68
 - MATING CYCLE DURABILITY: 100 CYCLES
 - RoHS COMPLIANT
- MATING PART: AT06-2S*
(* = ALL MODIFICATIONS)
- ALL DIMENSIONS ARE FOR REFERENCE USE ONLY



AT04-2P-RT01		REF: DT04-2P-RT01		
PART NUMBER		DESCRIPTION		ITEM
QUANTITY	MATERIALS LIST			
UNLESS OTHERWISE SPECIFIED 1) All dimensions are in metric(mm). 2) Tolerances are as follows: 1 PL DEC ±0.30 2 PL DEC ±0.15 3 PL DEC ±0.08 Fractions ±1/64 Angles ±1° 3) Note reference =	SIGNATURES	DATE	 Sine Systems - www.amphenol-sine.com 44724 Morley Drive Clinton Township, MI 48036 RECEPTACLE 2PIN, TERMINATOR, AT SERIES	
	DRAWN: SULLEN.ZHANG	19SEP18		
CHECKED: ORION.LI	19SEP18			
ENGINEER:				
MATERIAL SPECIFICATIONS:	APPROVAL: TOMMY.XIE	19SEP18	CUSTOMER:	
PROCESS SPECIFICATIONS:	THIS DRAWING IS SUPPLIED FOR INFORMATION ONLY. DESIGN FEATURES, SPECIFICATIONS AND PERFORMANCE DATA SHOWN HEREON ARE THE PROPERTY OF THE AMPHENOL CORPORATION. NO RIGHTS OF REPRODUCTION ARE IMPLIED. ALL DIMENSIONS ARE SUBJECT TO NORMAL MANUFACTURING VARIATIONS.		SIZE: B C-	DWG NO: AT04-2P-RT01
NEXT ASSY:	SCALE: NONE	SHEET 1 OF 1	REVISION: A2	

TITLE: RECEPTACLE 2PIN, TERMINATOR, AT SERIES
DWG NO: AT04-2P-RT01
REV: A2
SH: 1
OF: 1