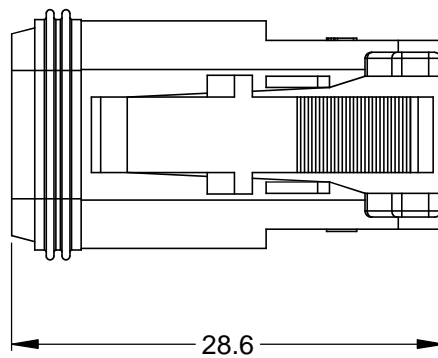
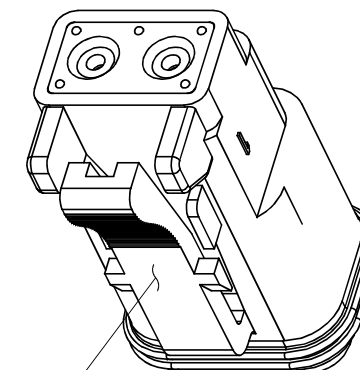
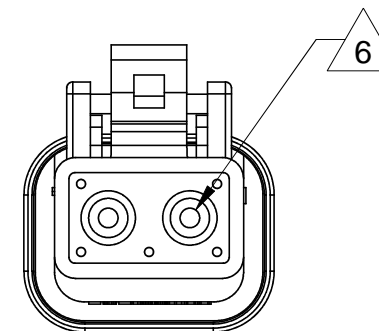
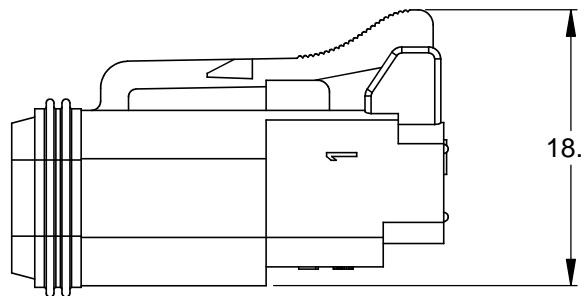
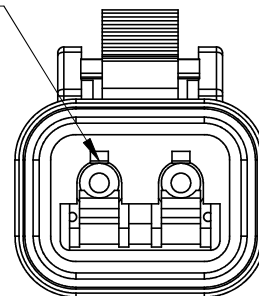


REVISIONS					
REV	ECO	DESCRIPTION	DATE	BY	APPR
A3	-	RELEASE NEW DWG FORMAT	26DEC13	DRP	



REQUIRES CONTACT RETENTION WEDGE AW2S



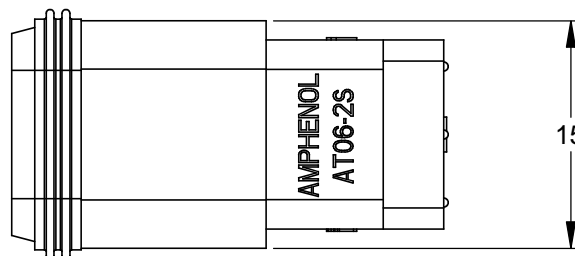
STANDARD MOLDED COLOR IS GREY. ADDITIONAL COLORS SHOWN IN PART NUMBER CHART ARE AVAILABLE VIA SPECIAL ORDER.

NOTES: UNLESS OTHERWISE SPECIFIED




- MATERIAL:  
HOUSING: THERMOPLASTIC  
SEAL: SILICONE RUBBER
- MODIFICATIONS: N/A
- SPECIFICATIONS:
  - CURRENT RATING: 13 AMPS
  - OPERATING TEMPERATURE: -55°C TO +125°C
  - DIELECTRIC WITHSTANDING VOLTAGE: LESS THAN 2 MILLIAMPS CURRENT LEAKAGE @ 1500 VOLTS AC.
  - INSULATION RESISTANCE: 1000 MEGOHMS MIN @ 25°C.
  - MOISTURE RESISTANCE: IP67 ( MATED CONDITION )
  - MATING CYCLE DURABILITY: 100 CYCLES
  - RoHS COMPLIANT
- MATING PART: AT04-2P\* RECEPTACLE  
(\* = MODIFICATIONS AND COLORS)
- ALL DIMENSIONS ARE FOR REFERENCE USE ONLY.

6 CONTACT SIZE AND REAR SEAL WIRE RANGE:

CONTACT SIZE	MIN. INSUL O.D.	MAX. INSUL O.D.	TYPICAL WIRE RANGE
16	2.24 mm (.088 in)	3.68 mm (.145 in)	14 - 20 AWG



PART NUMBER CHART	
COLOR	PART NUMBER
GREY	AT06-2S
BLACK	AT06-2S-BLK
BLUE	AT06-2S-BLU
BROWN	AT06-2S-BRN
GREEN	AT06-2S-GRN
RED	AT06-2S-RED
WHITE	AT06-2S-WHT
YELLOW	AT06-2S-YEL

SEE PART NUMBER CHART		DESCRIPTION		ITEM																																																		
QUANTITY	PART NUMBER	DESCRIPTION		ITEM																																																		
<table border="1"> <tr> <td colspan="2">UNLESS OTHERWISE SPECIFIED</td> <td colspan="2">SIGNATURES</td> <td>DATE</td> </tr> <tr> <td colspan="2">1) All dimensions are in metric(mm).</td> <td colspan="2">DRAWN: D.PARKS</td> <td>26DEC13</td> </tr> <tr> <td colspan="2">2) Tolerances are as follows:</td> <td colspan="2">CHECKED:</td> <td></td> </tr> <tr> <td colspan="2">1 PL DEC ±0.30</td> <td colspan="2">ENGINEER:</td> <td></td> </tr> <tr> <td colspan="2">2 PL DEC ±0.15</td> <td colspan="2">APPROVAL:</td> <td></td> </tr> <tr> <td colspan="2">3 PL DEC ±0.08</td> <td colspan="2">CUSTOMER:</td> <td></td> </tr> <tr> <td colspan="2">3) Note reference = </td> <td colspan="2">THIS DRAWING IS SUPPLIED FOR INFORMATION ONLY. DESIGN FEATURES, SPECIFICATIONS AND PERFORMANCE DATA SHOWN HEREON ARE THE PROPERTY OF THE AMPHENOL CORPORATION. NO RIGHTS OF REPRODUCTION ARE IMPLIED. ALL DIMENSIONS ARE SUBJECT TO NORMAL MANUFACTURING VARIATIONS.</td> <td></td> </tr> <tr> <td colspan="2">MATERIAL SPECIFICATIONS:</td> <td colspan="2">SCALE: NONE</td> <td></td> </tr> <tr> <td colspan="2">PROCESS SPECIFICATIONS:</td> <td colspan="2">SIZE: B C-</td> <td></td> </tr> <tr> <td colspan="2">NEXT ASSY:</td> <td colspan="2">DWG NO: AT06-2S-XXX</td> <td>REVISION: A3</td> </tr> </table>					UNLESS OTHERWISE SPECIFIED		SIGNATURES		DATE	1) All dimensions are in metric(mm).		DRAWN: D.PARKS		26DEC13	2) Tolerances are as follows:		CHECKED:			1 PL DEC ±0.30		ENGINEER:			2 PL DEC ±0.15		APPROVAL:			3 PL DEC ±0.08		CUSTOMER:			3) Note reference = 		THIS DRAWING IS SUPPLIED FOR INFORMATION ONLY. DESIGN FEATURES, SPECIFICATIONS AND PERFORMANCE DATA SHOWN HEREON ARE THE PROPERTY OF THE AMPHENOL CORPORATION. NO RIGHTS OF REPRODUCTION ARE IMPLIED. ALL DIMENSIONS ARE SUBJECT TO NORMAL MANUFACTURING VARIATIONS.			MATERIAL SPECIFICATIONS:		SCALE: NONE			PROCESS SPECIFICATIONS:		SIZE: B C-			NEXT ASSY:		DWG NO: AT06-2S-XXX		REVISION: A3
UNLESS OTHERWISE SPECIFIED		SIGNATURES		DATE																																																		
1) All dimensions are in metric(mm).		DRAWN: D.PARKS		26DEC13																																																		
2) Tolerances are as follows:		CHECKED:																																																				
1 PL DEC ±0.30		ENGINEER:																																																				
2 PL DEC ±0.15		APPROVAL:																																																				
3 PL DEC ±0.08		CUSTOMER:																																																				
3) Note reference = 		THIS DRAWING IS SUPPLIED FOR INFORMATION ONLY. DESIGN FEATURES, SPECIFICATIONS AND PERFORMANCE DATA SHOWN HEREON ARE THE PROPERTY OF THE AMPHENOL CORPORATION. NO RIGHTS OF REPRODUCTION ARE IMPLIED. ALL DIMENSIONS ARE SUBJECT TO NORMAL MANUFACTURING VARIATIONS.																																																				
MATERIAL SPECIFICATIONS:		SCALE: NONE																																																				
PROCESS SPECIFICATIONS:		SIZE: B C-																																																				
NEXT ASSY:		DWG NO: AT06-2S-XXX		REVISION: A3																																																		
<h1>Amphenol</h1> <p>Sine Systems - www.amphenol-sine.com 44724 Morley Drive Clinton Township, MI 48036</p> <p>PLUG, 2 SOCKET, AT SERIES</p>																																																						
<p>SHEET 1 OF 1</p>																																																						

TITLE: PLUG, 2 SOCKET, AT SERIES  
DWG NO: AT06-2S-XXX  
REV: A3  
SH: 1  
OF: 1

# Mouser Electronics

Authorized Distributor

Click to View Pricing, Inventory, Delivery & Lifecycle Information:

[Amphenol:](#)

[AT06-2S-RED](#)