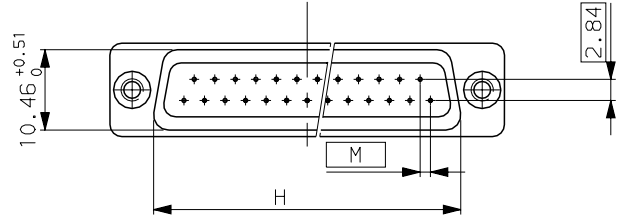
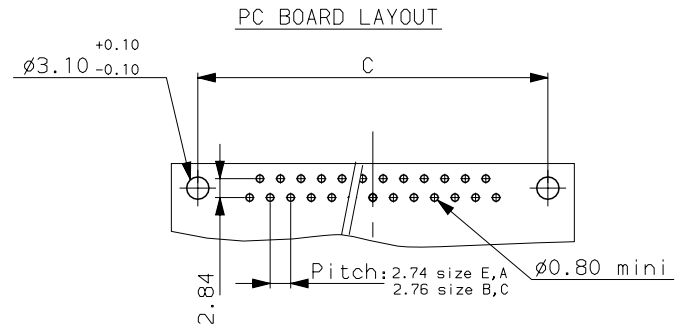
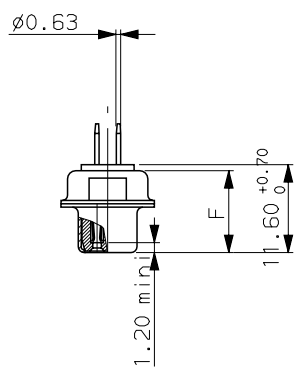
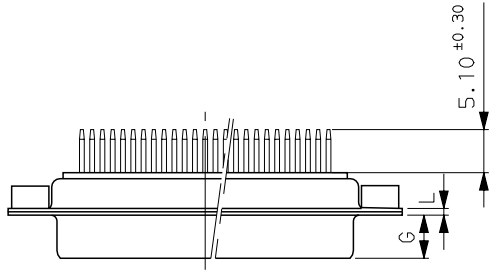
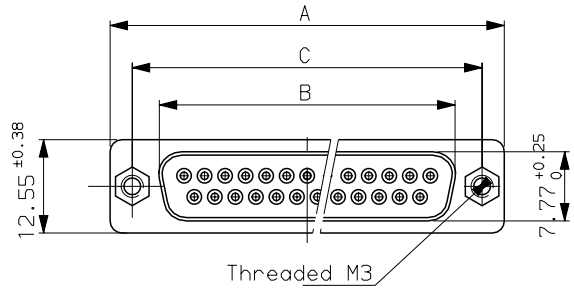


H G F E D C B A

NOTES

Materiel and finish:
Housings:
 Shells: steel, bright tin plated
 Insulators: glass filled thermoplastic UL94V0
Contacts:
 brass, gold plated over nickel
 on mating end, bright tin plated over nickel
 on termination end



Dimensions are in millimeters

Shell size	Number of contacts	A ^{+0.76} ₀	B ^{+0.25} ₀	C ±0.12	F ^{+0.51} ₀	G ^{+0.25} ₀	H ^{+0.51} ₀	L ^{+0.22} ₀	M	PART NUMBER
E	09	30.43	16.21	24.99	10.64	6.05	19.02	0.80	1.37	DEPL09S300T
A	15	38.76	24.54	33.32	10.64	6.05	27.25	0.80	1.37	DAPL15S300T
B	25	52.65	38.25	47.04	10.64	6.05	41.02	0.80	1.38	DBPL25S300T
C	37	68.94	54.71	63.50	10.64	6.05	57.45	1.00	1.38	DCPL37S300T

Part number	SEE TABLE		
a	12/06/01	Creation of drawing	--
ISS	DATE	Latest modification by : JARRY	MOD N°
Designed by: JARRY		date: 12/06/01	Type of drawing: CLIENT
TITLE : SOCKET CONNECTORS SUB D STRAIGHT SPILL			SHEET 01
SCALE: 1.5			
	FRAMATOME CONNECTORS FRANCE Rue Louis Breguet - BP 05 72024 LE MANS Cedex Tel. 33 (16) 43.84.08.43		This document is the property of FRAMATOME CONNECTORS FRANCE It must not be reproduced or communicated without permission in writing from the owners
	FORMAT A3	SOURIAU DRG N° C01-8637-1554	PROJECT M94D001

H G F E D C B A