

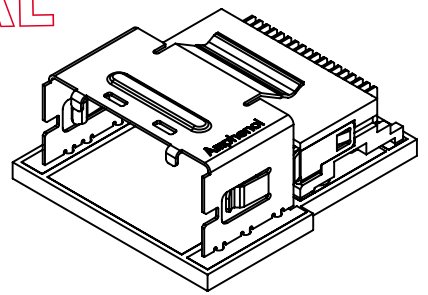
This document is the property of Amphenol Corporation and is delivered on the express condition that it is not to be disclosed, reproduced or used, in whole or in part, for manufacture or sale by anyone other than Amphenol Corporation without its prior consent, and that no right is granted to disclose or to use any information in this document.

CUSTOMER DRAWING

CAGE TYPE:DIP

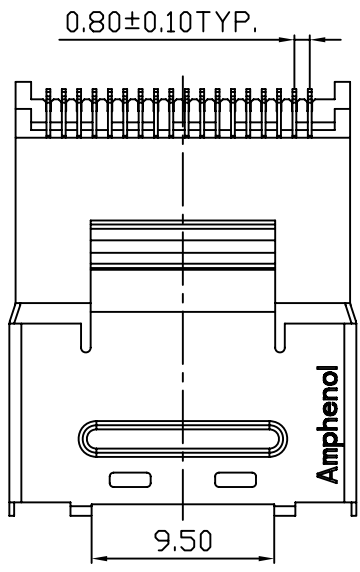
REVISIONS				
SYM	ECN No.	DESCRIPTION	DATE	APPROVED
A		UNRELEASE PRODUCT	01/16/2007	HC
B	NE-07310	ADD SHELL LENGTH DIM	06/23/2007	HANK HSU

ORIGINAL

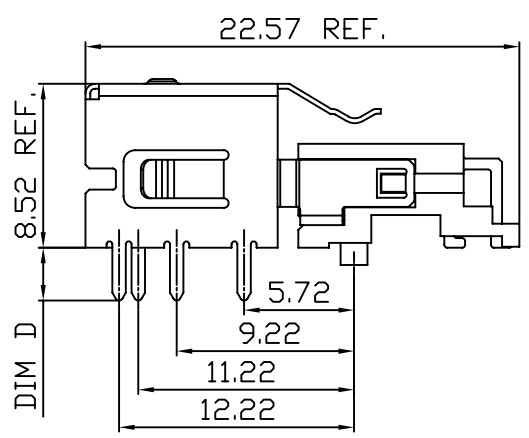
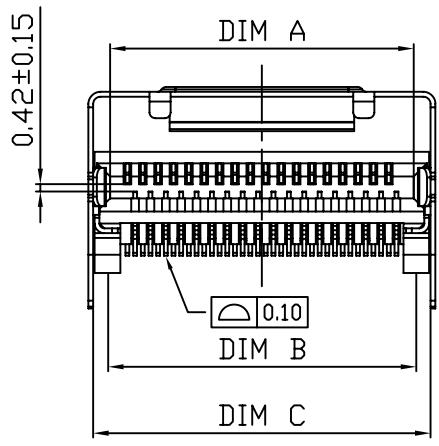


NOTE:

- MATERIAL:**
CONTACT: PHOSPHOR BRONZE
HOUSING: LCP UL94V-0 RATED, BLACK COLOR
SHELL: COPPER ALLOY
- CONTACT FINISH:**
CONTACT AREA: Au 15u" MIN.
SOLDER AREA : MATT PURE TIN 120u"
UNDERPLATING: NI 50u" MIN OVERALL.
- COPLANALITY:** 0.10MM MAX.
- PRODUCT SPEC REFER TO PS-7326**
- PART NUMBER SYSTEM REFER TO PNS-G40M**
- THIS PRODUCT DOESN'T CONTAIN ENVIRONMENTAL HAZARDOUS MATERIALS PER DIRECTIVE 2002/95/EC/ FOR RoHS**



POSITION	DIM A	DIM B	DIM C	DIM D
26	11.80	12.00	13.55	2.80/3.40/4.00
36	15.80	16.00	17.55	2.80/3.40/4.00
50	21.40	21.60	23.15	2.80/3.40/4.00
68	28.60	28.80	30.35	2.80/3.40/4.00



G40M R XX X X X X XX

Connector Style
R: Right Angle Type

Contact Pos
26: 26Pos.
36: 36Pos.
50: 50Pos.
68: 68Pos.

Key Options
L: Left Key Shell
R: Right Key Shell
U: Universal Key Shell
D: Dual Key Shell

Environment Code
EU: RoHS

Packing Code
A: Tray
B: Tape & Reel

Cage Type
1: Dip Type,GND
pin length=2.80mm
2: Dip Type,GND
pin length=3.40mm
4: Dip Type,GND
pin length=4.00mm

Contact Finish
1: Gold 15U'
2: Gold 30U'



TOLERANCE m/m	APPROVALS	DATE	TITLE
x. ±0.30	DRAWN Danel Hsieh	06/23/2007	MINI SAS COMBO TYPE B/M R/A CONNECTOR
x.x ±0.25	DESIGNED Danel Hsieh	06/23/2007	
x.xx ±0.15	CHECKED Chenny Yeh	06/23/2007	
x.xxx ±0.08	APPROVED Hank Hsu	06/23/2007	
ANGULAR ±2°			
UNLESS OTHERWISE SPECIFIED	 UNIT MM	SIZE A4	PART NO. G40MRXXXXXXEU DRAWING NO. T441-G40MRXXXXXXEU REV. B

Amphenol®

Amphenol Corporation
Amphenol Taiwan Corporation

SCALE NA SHEET 1 OF 5

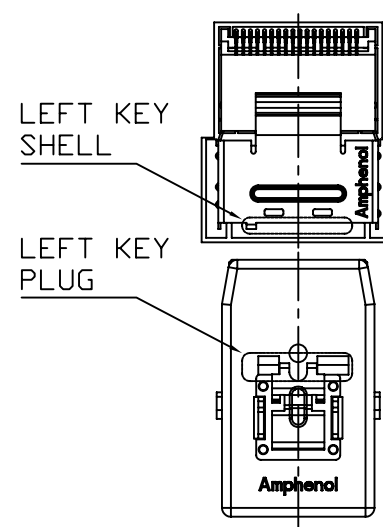
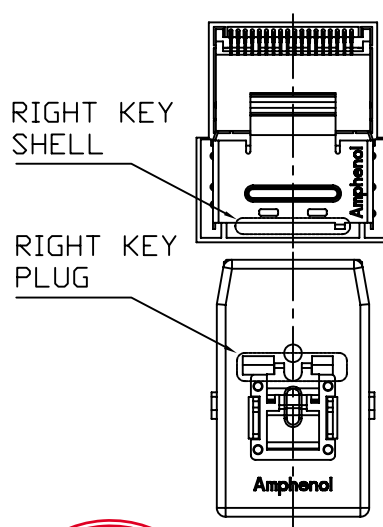
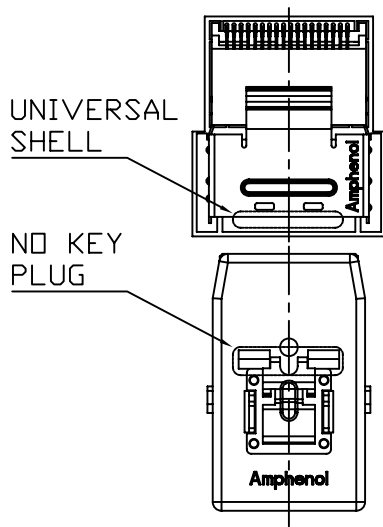
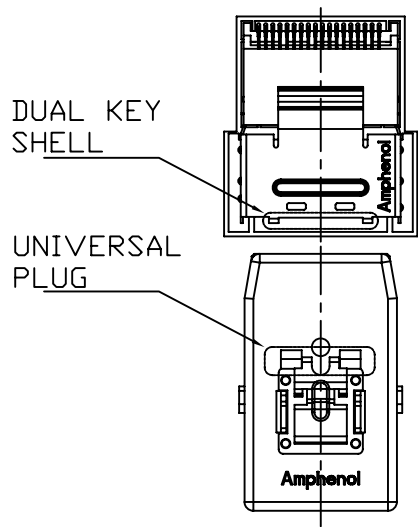
This document is the property of Amphenol Corporation and is delivered on the express condition that it is not to be disclosed, reproduced or used, in whole or in part, for manufacture or sale by anyone other than Amphenol Corporation without its prior consent, and that no right is granted to disclose or to use any information in this document.

CUSTOMER DRAWING

ORIGINAL

REVISIONS				
SYM	ECN No.	DESCRIPTION	DATE	APPROVED
A		UNRELEASE PRODUCT	01/16/2007	HC
B	NE-07310	ADD SHELL LENGTH DIM	06/23/2007	HANK HSU

KEYING OPTIONS



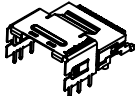
POSITION	RIGHT KEY PLUG	LEFT KEY PLUG	UNIVERSAL PLUG	DUAL KEY SHELL
NO KEY PLUG	NO	NO	YES	NO
LEFT KEY PLUG	NO	YES	YES	NO
RIGHT KEY PLUG	YES	NO	YES	NO
UNIVERSAL PLUG	YES	YES	YES	YES

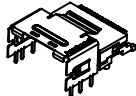
TOLERANCE m/m	APPROVALS	DATE	TITLE	Amphenol® Amphenol Corporation Amphenol Taiwan Corporation	
x. ±0.30	DRAWN Danel Hsieh	06/23/2007	MINI SAS COMBO TYPE B/M R/A CONNECTOR	SCALE NA	SHEET 2 OF 5
x.x ±0.25	DESIGNED Danel Hsieh	06/23/2007			
x.xx ±0.15	CHECKED Chenny Yeh	06/23/2007			
x.xxx ±0.08	APPROVED Hank Hsu	06/23/2007			
ANGULAR ±2°					
UNLESS OTHERWISE SPECIFIED	UNIT	MM	SIZE A4	PART NO. G40MRXXXXXXEU	DRAWING NO. T441-G40MRXXXXXXEU
					REV. B

This document is the property of Amphenol Corporation and is delivered on the express condition that it is not to be disclosed, reproduced or used, in whole or in part, for manufacture or sale by anyone other than Amphenol Corporation without its prior consent, and that no right is granted to disclose or to use any information in this document.

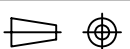
CUSTOMER DRAWING
ORIGINAL

REVISIONS				
SYM	ECN No.	DESCRIPTION	DATE	APPROVED
A		UNRELEASE PRODUCT	01/16/2007	HC
B	NE-07310	ADD SHELL LENGTH DIM	06/23/2007	HANK HSU

MINI SAS								
Type	Plug or Receptacle	Position	Connector Type	Cage Type	Keying (optional)	Shell Tail (Length)	Plating	P/N
R/A	 Receptacle	26-pos.	SMT	DIP	Left Key	2.8 mm	15u"	G40MR26L11XEU
							30u"	G40MR26L21XEU
						3.4 mm	15u"	G40MR26L12XEU
							30u"	G40MR26L22XEU
						4.0 mm	15u"	G40MR26L14XEU
							30u"	G40MR26L24XEU
					Right Key	2.8 mm	15u"	G40MR26R11XEU
							30u"	G40MR26R21XEU
						3.4 mm	15u"	G40MR26R12XEU
							30u"	G40MR26R22XEU
						4.0 mm	15u"	G40MR26R14XEU
							30u"	G40MR26R24XEU
					Universal shell No Key Plug	2.8 mm	15u"	G40MR26U11XEU
							30u"	G40MR26U21XEU
						3.4 mm	15u"	G40MR26U12XEU
							30u"	G40MR26U22XEU
						4.0 mm	15u"	G40MR26U14XEU
							30u"	G40MR26U24XEU
					Dual Key Shell Universal Plug	2.8 mm	15u"	G40MR26D11XEU
							30u"	G40MR26D21XEU
						3.4 mm	15u"	G40MR26D12XEU
							30u"	G40MR26D22XEU
						4.0 mm	15u"	G40MR26D14XEU
							30u"	G40MR26D24XEU

MINI SAS								
Type	Plug or Receptacle	Position	Connector Type	Cage Type	Keying (optional)	Shell Tail (Length)	Plating	P/N
R/A	 Receptacle	36-pos.	SMT	DIP	Left Key	2.8 mm	15u"	G40MR36L11XEU
							30u"	G40MR36L21XEU
						3.4 mm	15u"	G40MR36L12XEU
							30u"	G40MR36L22XEU
						4.0 mm	15u"	G40MR36L14XEU
							30u"	G40MR36L24XEU
					Right Key	2.8 mm	15u"	G40MR36R11XEU
							30u"	G40MR36R21XEU
						3.4 mm	15u"	G40MR36R12XEU
							30u"	G40MR36R22XEU
						4.0 mm	15u"	G40MR36R14XEU
							30u"	G40MR36R24XEU
					Universal shell No Key Plug	2.8 mm	15u"	G40MR36U11XEU
							30u"	G40MR36U21XEU
						3.4 mm	15u"	G40MR36U12XEU
							30u"	G40MR36U22XEU
						4.0 mm	15u"	G40MR36U14XEU
							30u"	G40MR36U24XEU
					Dual Key Shell Universal Plug	2.8 mm	15u"	G40MR36D11XEU
							30u"	G40MR36D21XEU
						3.4 mm	15u"	G40MR36D12XEU
							30u"	G40MR36D22XEU
						4.0 mm	15u"	G40MR36D14XEU
							30u"	G40MR36D24XEU



TOLERANCE m/m	APPROVALS	DATE	TITLE	<p>Amphenol® Amphenol Corporation Amphenol Taiwan Corporation</p>		
					<p>DRAWN Danel Hsieh 06/23/2007</p>	
					<p>DESIGNED Danel Hsieh 06/23/2007</p>	
					<p>CHECKED Chenny Yeh 06/23/2007</p>	
					<p>APPROVED Hank Hsu 06/23/2007</p>	
<p>UNLESS OTHERWISE SPECIFIED</p>		UNIT	SIZE	PART NO.	DRAWING NO.	REV.
		MM	A4	G40MRXXXXXXEU	T441-G40MRXXXXXXEU	B

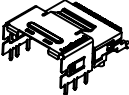
SCALE NA SHEET 3 OF 5

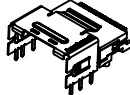
This document is the property of Amphenol Corporation and is delivered on the express condition that it is not to be disclosed, reproduced or used, in whole or in part, for manufacture or sale by anyone other than Amphenol Corporation without its prior consent, and that no right is granted to disclose or to use any information in this document.

CUSTOMER DRAWING



ORIGINAL

REVISIONS				
SYM	ECN No.	DESCRIPTION	DATE	APPROVED
A		UNRELEASE PRODUCT	01/16/2007	HC
B	NE-07310	ADD SHELL LENGTH DIM	06/23/2007	HANK HSU

MINI SAS								
Type	Plug or Receptacle	Position	Connector Type	Cage Type	Keying (optional)	Shell Tail (Length)	Plating	P/N
R/A		50-pos.	SMT	DIP	Left Key	2.8 mm	15u"	G40MR50L11XEU
							30u"	G40MR50L21XEU
						3.4 mm	15u"	G40MR50L12XEU
							30u"	G40MR50L22XEU
						4.0 mm	15u"	G40MR50L14XEU
							30u"	G40MR50L24XEU
					Right Key	2.8 mm	15u"	G40MR50R11XEU
							30u"	G40MR50R21XEU
						3.4 mm	15u"	G40MR50R12XEU
							30u"	G40MR50R22XEU
						4.0 mm	15u"	G40MR50R24XEU
							30u"	G40MR50R24XEU
					Universal shell No Key Plug	2.8 mm	15u"	G40MR50U11XEU
							30u"	G40MR50U21XEU
						3.4 mm	15u"	G40MR50U12XEU
							30u"	G40MR50U22XEU
						4.0 mm	15u"	G40MR50U14XEU
							30u"	G40MR50U24XEU
					Dual Key Shell Universal Plug	2.8 mm	15u"	G40MR50D11XEU
							30u"	G40MR50D21XEU
						3.4 mm	15u"	G40MR50D12XEU
							30u"	G40MR50D22XEU
						4.0 mm	15u"	G40MR50D14XEU
							30u"	G40MR50D24XEU

MINI SAS								
Type	Plug or Receptacle	Position	Connector Type	Cage Type	Keying (optional)	Shell Tail (Length)	Plating	P/N
R/A		68-pos.	SMT	DIP	Left Key	2.8 mm	15u"	G40MR68L11XEU
							30u"	G40MR68L21XEU
						3.4 mm	15u"	G40MR68L12XEU
							30u"	G40MR68L22XEU
						4.0 mm	15u"	G40MR68L14XEU
							30u"	G40MR68L24XEU
					Right Key	2.8 mm	15u"	G40MR68R11XEU
							30u"	G40MR68R21XEU
						3.4 mm	15u"	G40MR68R12XEU
							30u"	G40MR68R22XEU
						4.0 mm	15u"	G40MR68R14XEU
							30u"	G40MR68R24XEU
					Universal shell No Key Plug	2.8 mm	15u"	G40MR68U11XEU
							30u"	G40MR68U21XEU
						3.4 mm	15u"	G40MR68U12XEU
							30u"	G40MR68U22XEU
						4.0 mm	15u"	G40MR68U14XEU
							30u"	G40MR68U24XEU
					Dual Key Shell Universal Plug	2.8 mm	15u"	G40MR68D11XEU
							30u"	G40MR68D21XEU
						3.4 mm	15u"	G40MR68D12XEU
							30u"	G40MR68D22XEU
						4.0 mm	15u"	G40MR68D14XEU
							30u"	G40MR68D24XEU



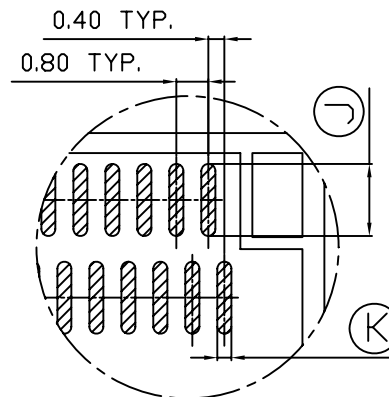
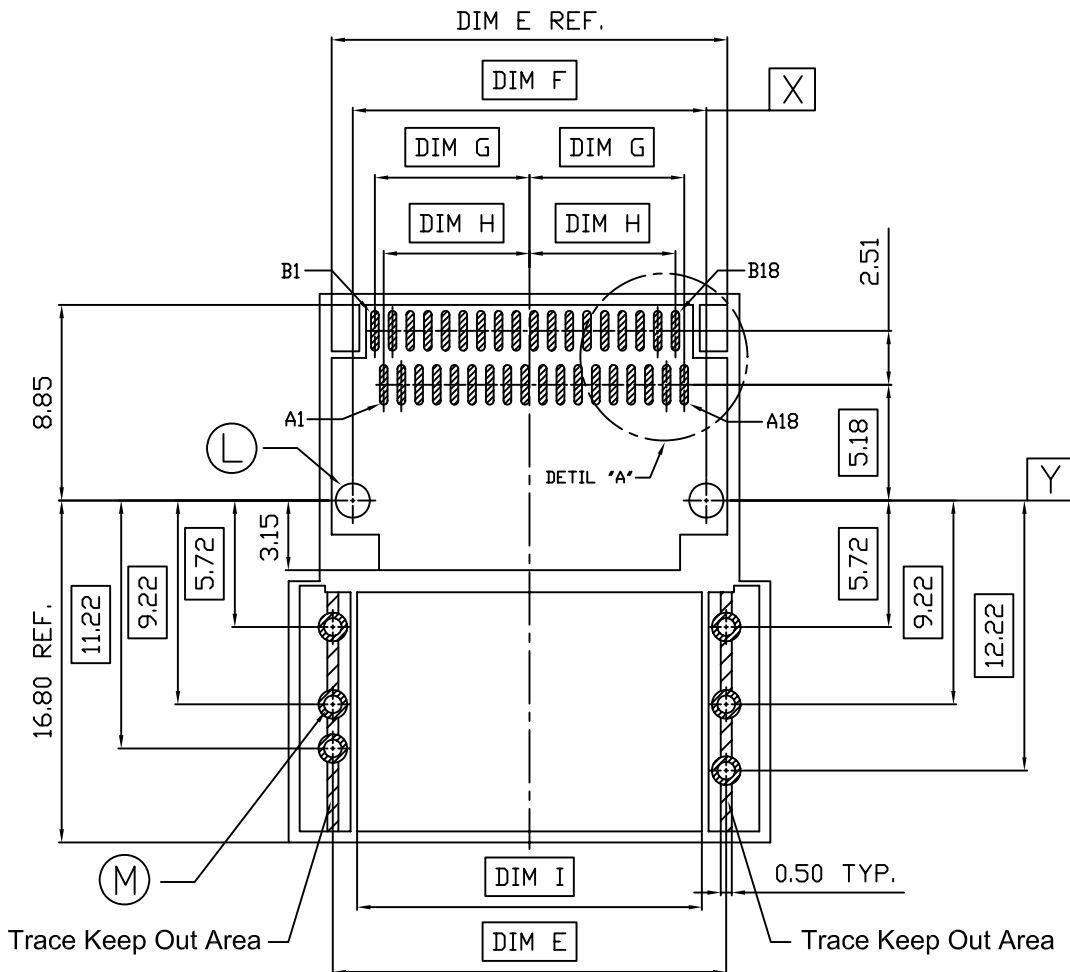
TOLERANCE m/m	x.	±0.30	APPROVALS	DRAWN	Danel Hsieh	DATE	06/23/2007	TITLE	MINI SAS COMBO TYPE B/M R/A CONNECTOR	Amphenol® Amphenol Corporation Amphenol Taiwan Corporation	SCALE NA SHEET 4 OF 5	
	x.x	±0.25		DESIGNED	Danel Hsieh		06/23/2007					
	x.xx	±0.15		CHECKED	Chenny Yeh		06/23/2007					
	x.xxx	±0.08		APPROVED	Hank Hsu		06/23/2007					
	ANGULAR	±2°										
UNLESS OTHERWISE SPECIFIED			UNIT	MM	SIZE	A4	PART NO.	G40MRXXXXXXEU	DRAWING NO.	T 441-G40MRXXXXXXEU	REV.	B

This document is the property of Amphenol Corporation and is delivered on the express condition that it is not to be disclosed, reproduced or used, in whole or in part, for manufacture or sale by anyone other than Amphenol Corporation without its prior consent, and that no right is granted to disclose or to use any information in this document.

CUSTOMER DRAWING

ORIGINAL

REVISIONS				
SYM	ECN No.	DESCRIPTION	DATE	APPROVED
A		UNRELEASE PRODUCT	01/16/2007	HC
B	NE-07310	ADD SHELL LENGTH DIM	06/23/2007	HANK HSU



DETIL "A"

Pointed		
Dim. (J)	1.80±0.03 TYP.	⊕ ∅0.05 ⊖ X Y
Dim. (K)	0.35±0.03 TYP.	⊕ ∅0.05 ⊖ X Y
Dim. (L)	∅1.55±0.05 (x2)	⊕ ∅0.05 ⊖ X Y
Dim. (M)	∅0.80±0.08 PTH.(x6)	⊕ ∅0.05 ⊖ X Y

POSITION	DIM E	DIM F	DIM G	DIM H	DIM I
26	13.80	12.00	5.00	4.60	11.80
36	17.80	16.00	7.00	6.60	15.80
50	23.40	21.60	9.80	9.40	21.40
68	30.60	28.80	13.40	13.00	28.60

RIGHT ANGLE CONNECTOR
RECOMMAND PCB LAYOUT



TOLERANCE m/m	APPROVALS	DATE
x. ±0.30	DRAWN Danel Hsieh	06/23/2007
x.x ±0.25	DESIGNED Danel Hsieh	06/23/2007
x.xx ±0.15	CHECKED Chenny Yeh	06/23/2007
x.xxx ±0.08	APPROVED Hank Hsu	06/23/2007
ANGULAR ±2°		
UNLESS OTHERWISE SPECIFIED		

TITLE	
MINI SAS COMBO TYPE B/M R/A CONNECTOR	
SIZE A4	PART NO. G40MRXXXXXXEU

Amphenol®	
Amphenol Corporation Amphenol Taiwan Corporation	
SCALE NA	SHEET 5 OF 5
DRAWING NO. T441-G40MRXXXXXXEU	REV. B

PART NUMBER SYSTEM **PNS-G40M Rev. B**

ORIGINAL

G40M X XX X X X X X XX

**Mini SAS Internal Connector
Combined Type
Board Mount**

Environment Code

LF: Sony GP
EU: RoHS

Connector Style

V: Vertical Type
R: Right Angle Type

Variation Code

Blank: Standard

Contact Pos

26: 26 Pos
36: 36 Pos
50: 50 Pos
68: 68 Pos

Packaging Code

A: Tray
B: Tape & Reel

Cage Type

1: Dip Type, GND
pin length= 2.80mm
2: Dip Type, GND
pin length= 3.40mm
3: SMT type
4: Dip Type, GND
pin length= 4.00mm

Key Options

L: Left Key Shell (for Left Key Plug)
R: Right Key Shell (for Right Key Plug)
U: Universal Shell (for No Key Plug)
D: Dual Key Shell (for Universal Plug)

Contact Finish

1: Gold 15 μ"
2: Gold 30 μ"



- ALL CONTACTS ARE IN 50μ" NICKEL UNDERPLATE
- ALL SPECIFIED NUMBERS ARE MINIMUM THICKNESS OF PLATING.
- THE VARIATION CODE MAY SUPERSEDE SOME MAJOR SPECIFICATIONS DEFINED BY THIS STANDARD PART NUMBER SYSTEM. FOR PART NUMBER WITH A VARIATION CODE. PLEASE REFER TO THE SPECIFIC SET OF DATASHEETS RELEASED FOR THAT VARIATION CODE.

				TITLE		PRODUCT SERIES	
				Mini SAS Connector Part Number		G40M	
						Series	
				This document is the property of Amphenol Corporation and is delivered on the express condition that it is not to be disclosed, reproduced or used, in whole or in part, for manufacture or sale by anyone other than Amphenol Corporation without its prior consent, and that no right is granted to disclose or to use any information in this document.			
B		Hank Hsu	06/23/2007				
A		Edward Wu	08/29/2006				
SYM	ECN NO.	APPROVED	DATE				
PREPARED		DATE		CHECKED		DATE	
Daniel Hsieh		06/23/2007		Chenny Yeh		06/23/2007	
				APPROVED		DATE	
				Hank Hsu		06/23/2007	