

# 10 $\mu$ A Quiescent Current High Efficiency Step-Down DC/DC Controller

## FEATURES

- **Very Low Standby Current: 10 $\mu$ A**
- **Available in Space-Saving 8-Lead MSOP Package**
- **Output Currents: Up to 5A**
- **Wide  $V_{IN}$  Range: 2.8V to 20V Operation**
- $V_{OUT}$  Range: 1.23V to 18V
- High Efficiency: Over 93% Possible
- $\pm 2\%$  Output Accuracy
- Very Low Dropout Operation: 100% Duty Cycle
- Current Mode Operation for Excellent Line and Load Transient Response
- Defeatable Burst Mode™ Operation
- Short-Circuit Protected
- Optional Programmable Soft-Start
- Micropower Shutdown:  $I_Q = 2\mu A$

## APPLICATIONS

- Cellular Telephones and Wireless Modems
- 1- to 4-Cell Lithium-Ion-Powered Applications
- Portable Instruments
- Battery-Powered Equipment
- Battery Chargers
- Scanners

## DESCRIPTION

The LTC<sup>®</sup>1771 is a high efficiency current mode step-down DC/DC controller that draws as little as 10 $\mu$ A DC supply current to regulate the output at no load while maintaining high efficiency for loads up to several amps.

The LTC1771 drives an external P-channel power MOSFET using a current mode, constant off-time architecture. An external sense resistor is used to program the operating current level. Current mode control provides short-circuit protection, excellent transient response and controlled start-up behavior. Burst Mode operation enables the LTC1771 to maintain high efficiency down to extremely low currents. Shutdown mode further reduces the supply current to a mere 2 $\mu$ A. For low noise applications, Burst Mode operation can be easily disabled with the MODE pin.

Wide input supply range of 2.8V to 18V (20V maximum) and 100% duty cycle operation for low dropout make the LTC1771 ideal for a wide variety of battery-powered applications where maximizing battery life is important.

The LTC1771's availability in both 8-lead MSOP and SO packages provides for a minimum area solution.

**LT**, LTC and LT are registered trademarks of Linear Technology Corporation. Burst Mode is a trademark of Linear Technology Corporation.

## TYPICAL APPLICATION

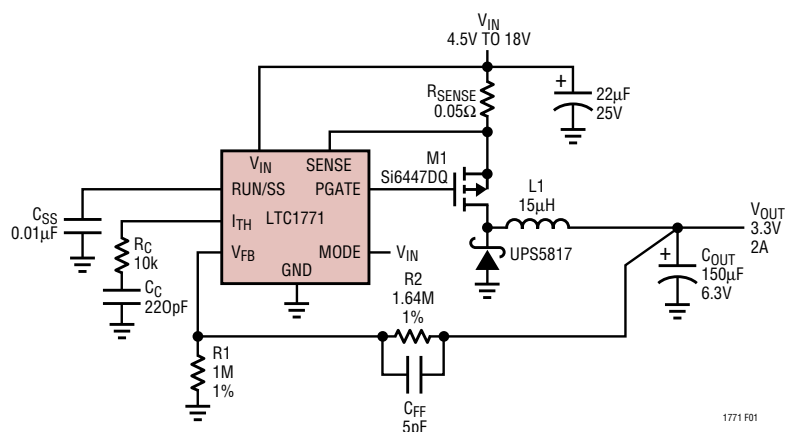
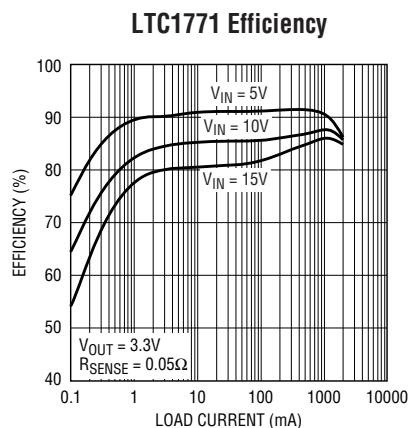


Figure 1. High Efficiency Step-Down Converter



1771 F01b

# LTC1771

## ABSOLUTE MAXIMUM RATINGS (Note 1)

Input Supply Voltage ( $V_{IN}$ )	-0.3V to 20V	Junction Temperature (Note 2)	125°C
Peak Driver Output Current < 10 $\mu$ s (PGATE)	1A	Operating Temperature Range (Note 3)	
RUN/SS Voltage	-0.3V to ( $V_{IN} + 0.3V$ )*	LTC1771E	-40°C to 85°C
MODE Voltage	-0.3V to 20V	LTC1771I	-40°C to 85°C
$I_{TH}$ , $V_{FB}$ Voltage	-0.3V to 5V	Storage Temperature Range	-65°C to 150°C
SENSE Voltage ( $V_{IN} > 12V$ ) .. ( $V_{IN} - 12V$ ) to ( $V_{IN} + 0.3V$ )*		Lead Temperature (Soldering, 10 sec)	300°C
SENSE Voltage ( $V_{IN} \leq 12V$ )	-0.3V to ( $V_{IN} + 0.3V$ )*	*RUN/SS and SENSE cannot exceed 20V.	

## PACKAGE/ORDER INFORMATION

<p>MS8 PACKAGE 8-LEAD PLASTIC MSOP <math>T_{JMAX} = 125^{\circ}C, \theta_{JA} = 200^{\circ}C/W</math></p>	ORDER PART NUMBER	<p>S8 PACKAGE 8-LEAD PLASTIC SO <math>T_{JMAX} = 125^{\circ}C, \theta_{JA} = 110^{\circ}C/W</math></p>	ORDER PART NUMBER
	LTC1771EMS8		LTC1771ES8 LTC1771IS8
	MS8 PART MARKING		S8 PART MARKING
	LTKD		1771 1771I

Consult factory for Military grade parts.

## ELECTRICAL CHARACTERISTICS

The ● denotes specifications which apply over the full operating temperature range, otherwise specifications are  $T_A = 25^{\circ}C$ .  
 $V_{IN} = 10V$ ,  $V_{RUN} = \text{open}$  unless otherwise specified.

SYMBOL	PARAMETER	CONDITIONS	MIN	TYP	MAX	UNITS
$V_{FB}$	Feedback Voltage	(Note 5)	● 1.205	1.230	1.255	V
$I_{FB}$	Feedback Current	(Note 5)	●	1	10	nA
$I_{SUPPLY}$	No-Load Supply Current	$V_{IN} = 10V, I_{LOAD} = 0$ (Note 6)		10		$\mu A$
$\Delta V_{LINEREG}$	Reference Voltage Line Regulation	$V_{IN} = 5V$ to 15V (Note 5)	●	0.003	0.03	%/V
$\Delta V_{LOADREG}$	Output Voltage Load Regulation	$I_{TH} = 0.5V$ to 2V, Burst Disabled (Note 5)	●	0.25	1	%
$I_Q$	Input DC Supply Current	(Note 4)				
	Active Mode (PGATE = 0V)	$V_{IN} = 2.8V$ to 18V		150	235	$\mu A$
	Sleep Mode (Note 6)	$V_{IN} = 2.8V$ to 18V, $V_{FB} = 1.5V$		9	15	$\mu A$
	Shutdown	$V_{IN} = 2.8V$ to 18V, $V_{RUN} = 0V$		2	6	$\mu A$
	Short Circuit	$V_{IN} = 2.8V$ to 18V, $V_{FB} = 0V$		175	275	$\mu A$
$\Delta V_{SENSE(MAX)}$	Maximum Current Sense Threshold	$V_{FB} = V_{REF} - 20mV$	● 110	140	180	mV
$\Delta V_{SENSE(MIN)}$	Minimum Current Sense Threshold	$V_{FB} = V_{REF} + 20mV$ , Burst Disabled		-25		mV
$\Delta V_{SENSE(SLEEP)}$	Sleep Current Sense Threshold	$I_{TH} = 1V$		50		mV
$t_{OFF}$	Switch Off Time	$V_{FB}$ at Regulated Value	3	3.5	4	$\mu s$
		$V_{FB} = 0V$		70		$\mu s$
$V_{MODE}$	Mode Pin Threshold	$V_{MODE}$ Rising	● 0.5	1.3	2	V

## ELECTRICAL CHARACTERISTICS

The ● denotes specifications which apply over the full operating temperature range, otherwise specifications are  $T_A = 25^\circ\text{C}$ .  $V_{IN} = 10\text{V}$ ,  $V_{RUN} = \text{open}$  unless otherwise specified.

SYMBOL	PARAMETER	CONDITIONS	MIN	TYP	MAX	UNITS
$V_{RUN/SS}$	RUN/SS Pin Threshold	$V_{RUN/SS}$ Rising	● 0.5	1.0	2	V
$I_{RUN}$	Source Current	$V_{RUN} = 0\text{V}$ , $V_{IN} = 2.8\text{V}$ to $18\text{V}$	0.3	1	3	$\mu\text{A}$
$PGATE\ t_r, t_f$	PGATE Transition Time (Note 7)					
	Rise Time	$C_{LOAD} = 2000\text{pF}$		70	140	ns
	Fall Time	$C_{LOAD} = 2000\text{pF}$		70	140	ns

**Note 1:** Absolute Maximum Ratings are those values beyond which the life of a device may be impaired.

**Note 2:**  $T_J$  is calculated from the ambient temperature  $T_A$  and power dissipation  $P_D$  according to the following formulas:

$$\text{LTC1771S8: } T_J = T_A + (P_D)(110^\circ\text{C/W})$$

$$\text{LTC1771MS8: } T_J = T_A + (P_D)(150^\circ\text{C/W})$$

**Note 3:** The LTC1771E is guaranteed to meet performance specifications from  $0^\circ\text{C}$  to  $70^\circ\text{C}$ . Specifications over the  $-40^\circ\text{C}$  to  $85^\circ\text{C}$  operating temperature range are assured by design, characterization and correlation with statistical process controls. The LTC1771I is guaranteed and tested over the  $-40^\circ\text{C}$  to  $85^\circ\text{C}$  operating temperature range.

**Note 4:** Dynamic supply current is higher due to the gate charge being delivered at the switching frequency. See Applications Information.

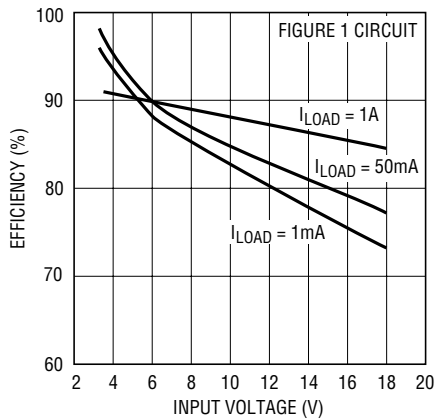
**Note 5:** The LTC1771 is tested in a feedback loop that servos  $V_{FB}$  to the balance point for the error amplifier ( $V_{ITH} = 1.23\text{V}$ ).

**Note 6:** No-load supply current consists of sleep mode current ( $9\mu\text{A}$  typical) plus a small switching component necessary to overcome Schottky diode leakage and feedback resistor current.

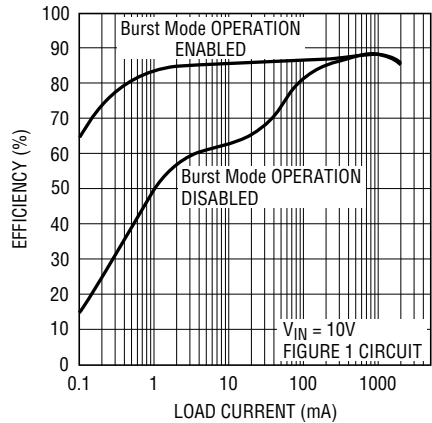
**Note 7:**  $t_r$  and  $t_f$  are measured at 10% to 90% levels.

## TYPICAL PERFORMANCE CHARACTERISTICS

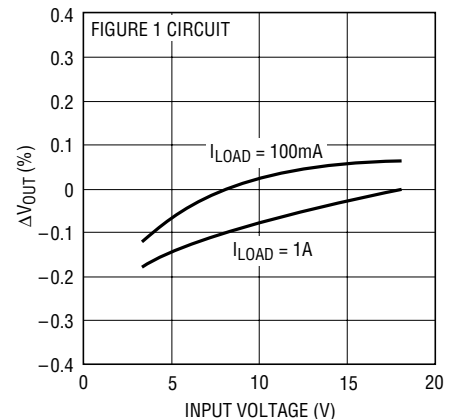
Efficiency vs Input Voltage



Efficiency vs Load Current

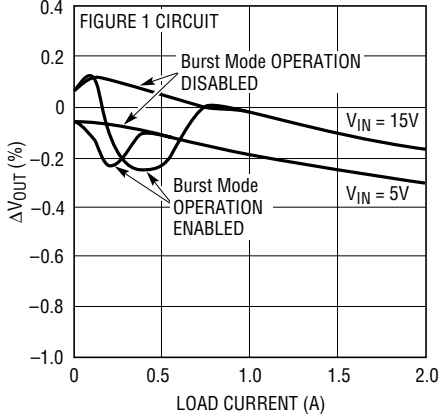


Line Regulation



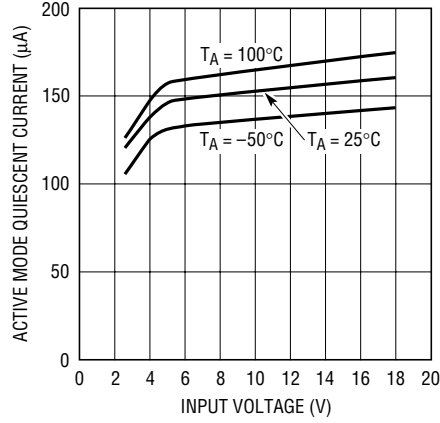
# TYPICAL PERFORMANCE CHARACTERISTICS

**Load Regulation**



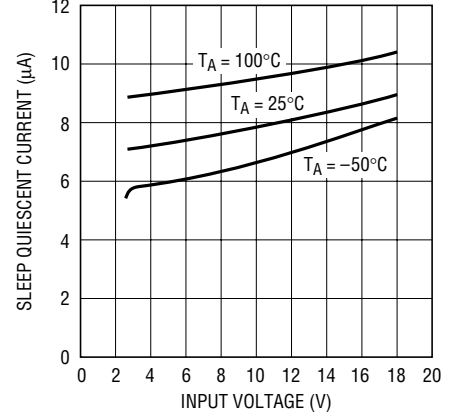
1771 G04

**Active Mode Quiescent Current vs Input Voltage**



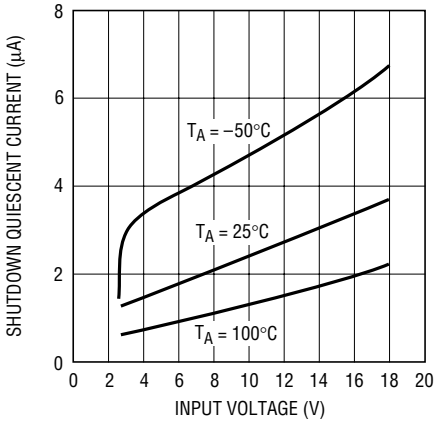
1771 G05

**Sleep Quiescent Current vs Input Voltage**



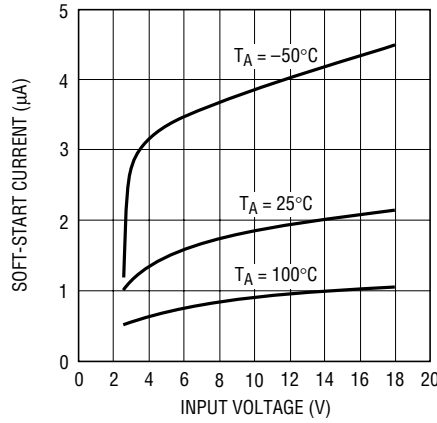
1771 G06

**Shutdown Quiescent Current vs Input Voltage**



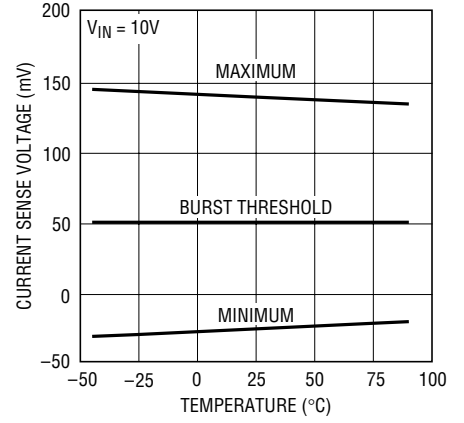
1771 G07

**Run/SS Current vs Input Voltage**



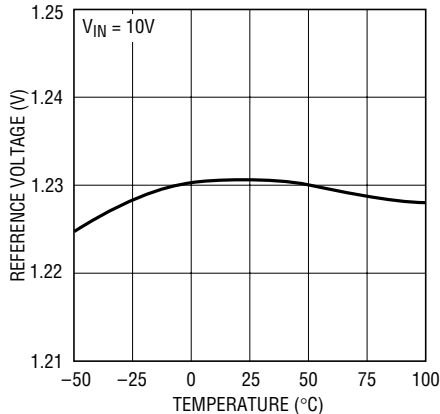
1771 G08

**Current Sense Voltage vs Temperature**



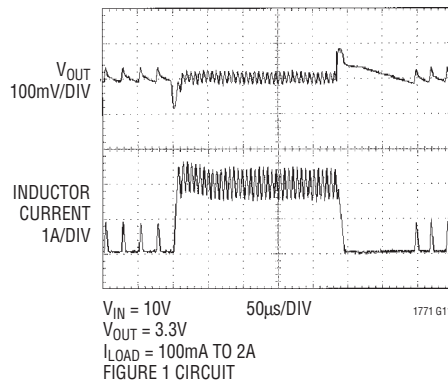
1771 G09

**Reference Voltage vs Temperature**



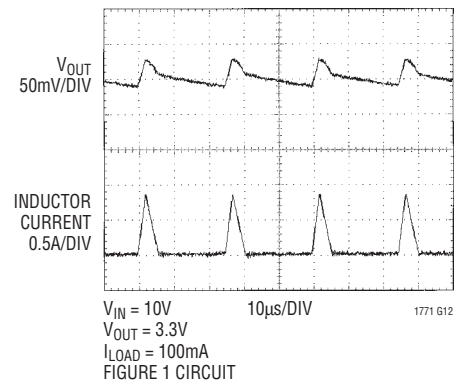
1771 G10

**Load Step Transient Response**



1771 G11

**Burst Mode Operation**



1771 G12

## PIN FUNCTIONS

**RUN/SS (Pin 1):** The voltage level on this pin controls shutdown/run mode (ground = shutdown, open/high = run). Connecting an external capacitor to this pin provides soft-start.

**$I_{TH}$  (Pin 2):** Error Amplifier Compensation Point. The current comparator threshold increases with this control voltage. Nominal voltage range for this pin is 0V to 3V.

**$V_{FB}$  (Pin 3):** Feedback of Output Voltage for Comparison to Internal 1.23V Reference. An external resistive divider across the output is returned to this pin.

**GND (Pin 4):** Ground Pin.

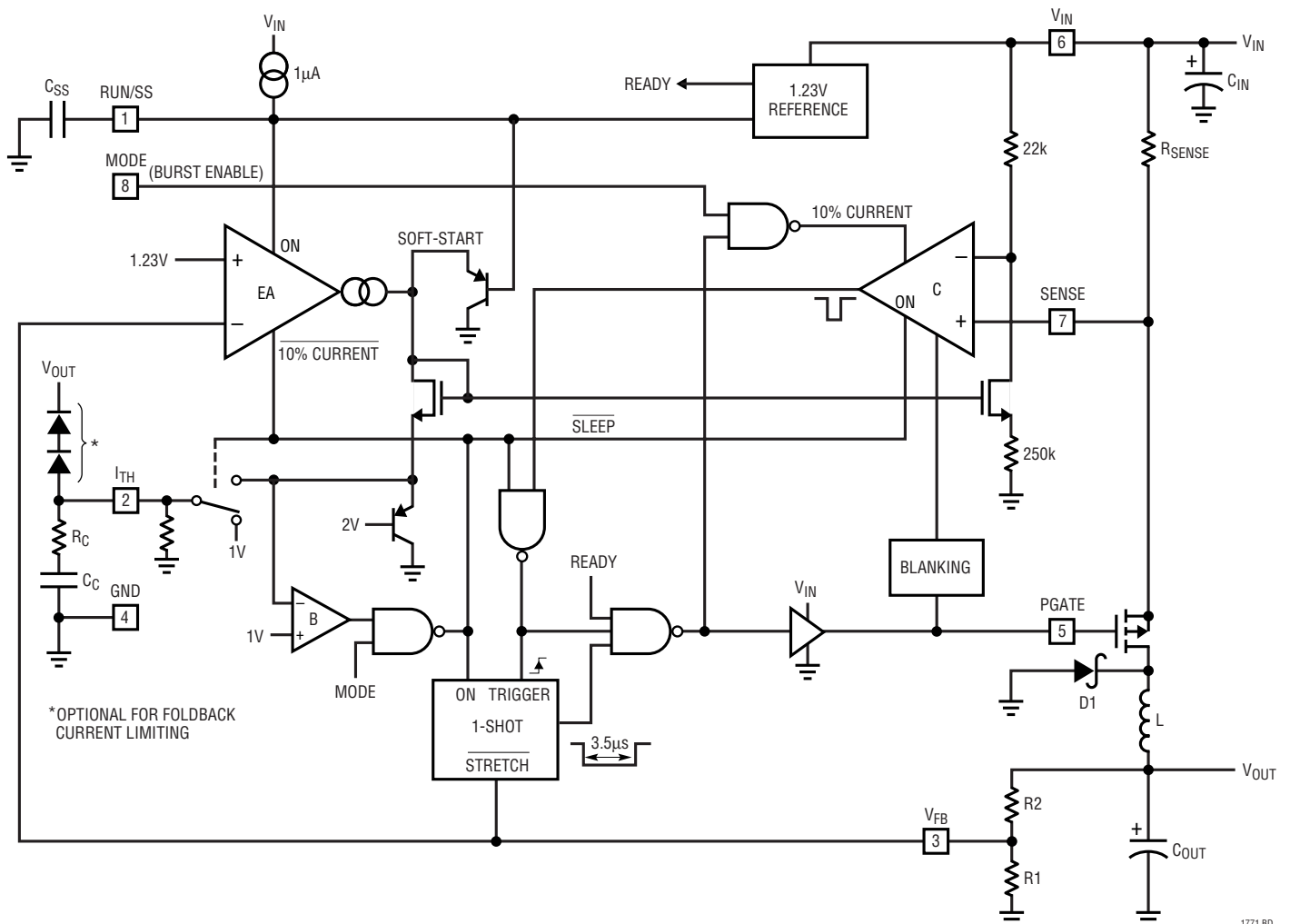
**PGATE (Pin 5):** High Current Gate Driver for External P-Channel MOSFET Switch. Voltage swing is from ground to  $V_{IN}$ .

**$V_{IN}$  (Pin 6):** Main Input Voltage Supply Pin.

**SENSE (Pin 7):** Current Sense Input for Monitoring Switch Current. Maximum switch current and Burst Mode threshold is programmed with an external resistor between SENSE and  $V_{IN}$ .

**MODE (Pin 8):** Burst Mode Enable/Disable Pin. Connecting this pin to  $V_{IN}$  (or above 2V) enables Burst Mode operation, while connecting this pin to ground disables Burst Mode operation. Do not leave floating.

## FUNCTIONAL BLOCK DIAGRAM



1771 BD

## OPERATION (Refer to Functional Block Diagram)

### Main Control Loop

The LTC1771 uses a constant off-time, current mode step-down architecture. During normal operation, the P-channel MOSFET is turned on at the beginning of each cycle and turned off when the current comparator C triggers the 1-shot timer. The external MOSFET switch stays off for the  $3.5\mu\text{s}$  1-shot duration and then turns back on again to begin a new cycle. The peak inductor current at which C triggers the 1-shot is controlled by the voltage on Pin 3 ( $I_{\text{TH}}$ ), the output of the error amplifier EA. An external resistive divider connected between  $V_{\text{OUT}}$  and ground allows EA to receive an output feedback voltage  $V_{\text{FB}}$ . When the load current increases, it causes a slight decrease in  $V_{\text{FB}}$  relative to the 1.23V reference, which in turn causes the  $I_{\text{TH}}$  voltage to increase until the average inductor current matches the new load current.

The main control loop is shut down by pulling Pin 1 (RUN/SS) low. Releasing RUN/SS allows an internal  $1\mu\text{A}$  current source to charge soft-start capacitor  $C_{\text{SS}}$ . When  $C_{\text{SS}}$  reaches 1V, the main control loop is enabled with the  $I_{\text{TH}}$  voltage clamped at approximately 40% of its maximum value. As  $C_{\text{SS}}$  continues to charge,  $I_{\text{TH}}$  is gradually released allowing normal operation to resume.

### Burst Mode Operation

The LTC1771 provides outstanding low current efficiency and ultralow no-load supply current by using Burst Mode operation when the MODE pin is pulled above 2V. During Burst Mode operation, short burst cycles of normal switching are followed by a longer idle period with the switch off and the load current is supplied by the output capacitor. During this idle period, only the minimum required circuitry—1.23V reference and error amp—are left on, and the supply current is reduced to  $9\mu\text{A}$ . At no load, the output capacitor is still discharged very slowly by leakage current in the Schottky diode and feedback resistor current resulting in very low frequency burst cycles that add a few more microamps to the supply current.

Burst Mode operation is provided by clamping the minimum  $I_{\text{TH}}$  voltage at 1V which represents about 25% of maximum load current. If the load falls below this level, i.e. the  $I_{\text{TH}}$  voltage tries to fall below 1V, the burst comparator B switches state signaling the LTC1771 to enter sleep mode. During this time, EA is reduced to 10% of its normal operating current and the external compensation capacitor is disconnected and clamped to 1V so that the EA can drive its output with the lower available current. As the load discharges the output capacitor, the internal  $I_{\text{TH}}$  voltage increases. When it exceeds 1V the burst comparator exits sleep mode, reconnects the external compensation components to the error amplifier output, and returns EA to full power along with the other necessary circuitry. This scheme (patent pending) allows the EA to be reduced to such a low operating current during sleep mode without adding unacceptable delay to wake up the LTC1771 due to the compensation capacitor on  $I_{\text{TH}}$  required for stability in normal operation.

Burst Mode operation can be disabled by pulling the MODE pin to ground. In this mode of operation, the burst comparator B is disabled and the  $I_{\text{TH}}$  voltage allowed to go all the way to 0V. The load can now be reduced to about 1% of maximum load before the loop skips cycles to maintain regulation. This mode provides a low noise output spectrum, useful for reducing both audio and RF interference, at the expense of reduced efficiency at light loads.

### Off-Time

The off-time duration is  $3.5\mu\text{s}$  when the feedback voltage is close to the reference voltage; however, as the feedback voltage drops, the off-time lengthens and reaches a maximum value of about  $70\mu\text{s}$  when  $V_{\text{FB}}$  is zero. This ensures that the inductor current has enough time to decay when the reverse voltage across the inductor is low such as during short circuit, thus protecting the MOSFET and inductor.

## APPLICATIONS INFORMATION

The basic LTC1771 application circuit is shown in Figure 1 on the first page. External component selection is driven by the load requirement and begins with the selection of  $R_{SENSE}$ . Once  $R_{SENSE}$  is known,  $L$  can be chosen. Next, the MOSFET and D1 are selected. The inductor is chosen based largely on the desired amount of ripple current and for Burst Mode operation. Finally  $C_{IN}$  is selected for its ability to handle the required RMS input current and  $C_{OUT}$  is chosen with low enough ESR to meet the output voltage ripple and transient specifications.

### $R_{SENSE}$ Selection

$R_{SENSE}$  is chosen based on the required output current. The LTC1771 current comparator has a maximum threshold of  $140\text{mV}/R_{SENSE}$ . The current comparator threshold sets the peak inductor current, yielding a maximum average output current  $I_{MAX}$  equal to the peak less half the peak-to-peak ripple current  $\Delta I_L$ . For best performance when Burst Mode operation is enabled, choose  $\Delta I_L$  equal to 35% of peak current. Allowing a margin for variations in the LTC1771 and external components gives the following equation for choosing  $R_{SENSE}$ :

$$R_{SENSE} = 100\text{mV}/I_{MAX}$$

At higher supply voltages, the peak currents may be slightly higher due to overshoot from current comparator delay and can be predicted from the second term in the following equation:

$$I_{PEAK} \cong \frac{0.14}{R_{SENSE}} + 0.5 \left( \frac{V_{IN} - V_{OUT}}{L(\mu\text{H})} \right)^{1/2}$$

### Inductor Value Selection

Once  $R_{SENSE}$  is known, the inductor value can be determined. The inductance value has a direct effect on ripple current. The ripple current decreases with higher inductance and increases with higher  $V_{OUT}$ . The ripple current during continuous mode operation is set by the off-time and inductance to be:

$$\Delta I_{L(\text{CONT})} = t_{\text{OFF}} \left( \frac{V_{\text{OUT}} + V_D}{L} \right)$$

where  $t_{\text{OFF}} = 3.5\mu\text{s}$ . However, the ripple current at low loads during Burst Mode operation is:

$$\Delta I_{L(\text{BURST})} \approx 35\% \text{ of } I_{PEAK} \approx 0.05/R_{SENSE}$$

For best efficiency when Burst Mode operation is enabled, choose:

$$\Delta I_{L(\text{CONT})} \leq \Delta I_{L(\text{BURST})}$$

so that the inductor current is continuous during the burst periods. This sets a minimum inductor value of:

$$L_{\text{MIN}} = (75\mu\text{H})(V_{\text{OUT}} + V_D)(R_{SENSE})$$

When burst is disabled, ripple currents less than  $\Delta I_{L(\text{BURST})}$  can be achieved by choosing  $L > L_{\text{MIN}}$ . Lower ripple current reduces output voltage ripple and core losses, but too low of ripple current will adversely effect efficiency.

### Inductor Core Selection

Once the value of  $L$  is known, the type of inductor must be selected. High efficiency converters generally cannot afford the core loss found in low cost powdered iron cores, forcing the use of more expensive ferrite, molypermalloy or Kool M $\mu$ ® cores. Actual core loss is independent of core size for a fixed inductor value, but is very dependent on inductance selected. As inductance increases, core losses go down. Unfortunately, increased inductance requires more turns of wire and therefore copper losses will increase.

Ferrite designs have very low core loss and are preferred at high switching frequencies, so design goals can concentrate on copper loss and preventing saturation. Ferrite core material saturates "hard," which means that inductance collapses abruptly when the peak design current is exceeded. This results in an abrupt increase in inductor ripple current and consequent increase in voltage ripple. Do not allow the core to saturate!

Molypermalloy (from Magnetics, Inc.) is a very good, low loss core material for toroids, but it is more expensive than ferrite. A reasonable compromise from the same manufacturer is Kool M $\mu$ . Toroids are space efficient, especially when you can use several layers of wire. Because they generally lack a bobbin, mounting is more difficult. However, designs for surface mount are available that do not increase the height significantly.

Kool M $\mu$  is a registered trademark of Magnetics, Inc.

## APPLICATIONS INFORMATION

### Power MOSFET Selection

An external P-channel power MOSFET must be selected for use with the LTC1771. The main selection criteria for the power MOSFET are the threshold voltage  $V_{GS(TH)}$  and the “on” resistance  $R_{DS(ON)}$ , reverse transfer capacitance and total gate charge.

Since the LTC1771 can operate down to input voltages as low as 2.8V, a sublogic level threshold MOSFET ( $R_{DS(ON)}$  guaranteed at  $V_{GS} = 2.5V$ ) is required for applications that work close to this voltage. When these MOSFETs are used, make sure that the input supply to the LTC1771 is less than the absolute maximum  $V_{GS}$  rating (typically 12V), as the MOSFET gate will see the full supply voltage.

The required  $R_{DS(ON)}$  of the MOSFET is governed by its allowable power dissipation. For applications that may operate the LTC1771 in dropout, i.e. 100% duty cycle, at its worst case the required  $R_{DS(ON)}$  is given by:

$$R_{DS(ON)} = \frac{P_P}{(I_{OUT(MAX)})^2 (1 + \delta_P)}$$

where  $P_P$  is the allowable power dissipation and  $\delta_P$  is the temperature dependency of  $R_{DS(ON)}$ .  $(1 + \delta_P)$  is generally given for a MOSFET in the form of a normalized  $R_{DS(ON)}$  vs temperature curve, but  $= 0.005/^\circ C$  can be used as an approximation for low voltage MOSFETs.

In applications where the maximum duty cycle is less than 100% and the LTC1771 is in continuous mode, the  $R_{DS(ON)}$  is governed by:

$$R_{DS(ON)} = \frac{P_P}{(DC) I_{OUT}^2 (1 + \delta_P)}$$

$$DC = \frac{V_{OUT} + V_D}{V_{IN} + V_D}$$

where DC is the maximum operating duty cycle of the LTC1771.

### Catch Diode Selection

The catch diode carries load current during the off-time. The average diode current is therefore dependent on the P-channel switch duty cycle. At high input voltages the

diode conducts most of the time. As  $V_{IN}$  approaches  $V_{OUT}$  the diode conducts only a small fraction of the time. The most stressful condition for the diode is when the output is short-circuited. Under this condition, the diode must safely handle  $I_{PEAK}$  at close to 100% duty cycle.

To maximize both low and high current efficiencies, a fast switching diode with low forward drop and low reverse leakage should be used. Low reverse leakage current is critical to maximize low current efficiency since the leakage can potentially exceed the magnitude of the LTC1771 supply current. Low forward drop is critical for high current efficiency since loss is proportional to forward drop. The effect of reverse leakage and forward drop on no-load supply current and efficiency for various Schottky diodes is shown in Table 1. As can be seen, these are conflicting parameters and the user must weigh the importance of each spec in choosing the best diode for the application.

**Table 1. Effect of Catch Diode on Performance**

DIODE	LEAKAGE ( $V_R = 3.3V$ )	$V_F @ 1A$	NO-LOAD SUPPLY CURRENT	EFFICIENCY AT 10V/1A
MBR0540	0.25 $\mu A$	0.50V	10.4 $\mu A$	86.3%
UPS5817	2.8 $\mu A$	0.41V	11.8 $\mu A$	88.2%
MBR0520	3.7 $\mu A$	0.36V	12.2 $\mu A$	88.4%
MBRS120T3	4.4 $\mu A$	0.43V	12.2 $\mu A$	87.9%
MBRM120LT3	8.3 $\mu A$	0.32V	14.0 $\mu A$	89.4%
MBRS320	19.7 $\mu A$	0.29V	20.0 $\mu A$	89.8%

### $C_{IN}$ and $C_{OUT}$ Selection

At higher load currents, when the inductor current is continuous, the source current of the P-channel MOSFET is a square wave of duty cycle  $V_{OUT}/V_{IN}$ . To prevent large voltage transients, a low ESR input capacitor sized for the maximum RMS current must be used. The maximum capacitor current is given by:

$$C_{IN} \text{ required } I_{RMS} = \frac{I_{MAX} [V_{OUT} (V_{IN} - V_{OUT})]^{1/2}}{V_{IN}}$$

This formula has a maximum at  $V_{IN} = 2V_{OUT}$ , where  $I_{RMS} = I_{OUT}/2$ . This simple worst-case condition is commonly used for design because even significant deviations do not offer much relief. Note that capacitor manufacturer's



## APPLICATIONS INFORMATION

ripple current ratings are often based on 2000 hours of life. This makes it advisable to further derate the capacitor, or to choose a capacitor rated at a higher temperature than required. Do not underspecify this component. An additional 0.1 $\mu$ F ceramic capacitor is also helpful on  $V_{IN}$  for high frequency decoupling.

The selection of  $C_{OUT}$  is driven by the required effective series resistance (ESR). Typically, once the ESR requirement is satisfied, the capacitance is adequate for filtering. The output ripple ( $\Delta V_{OUT}$ ) in continuous mode is approximated by:

$$\Delta V_{OUT} \approx I_{RIPPLE} \left( ESR + \frac{1}{8fC_{OUT}} \right)$$

where  $f$  is the operating frequency,  $C_{OUT}$  is the output capacitance and  $I_{RIPPLE}$  is the ripple current in the inductor. For output ripple less than 100mV, assure  $C_{OUT}$  required ESR is  $< 2R_{SENSE}$ .

The first condition relates to the ripple current into the ESR of the output capacitance while the second term guarantees that the output capacitance does not significantly discharge during the operating frequency period due to ripple current. The choice of using smaller output capacitance increases the ripple voltage due to the discharging term but can be compensated for by using capacitors of very low ESR to maintain the ripple voltage at or below 50mV. The  $I_{TH}$  pin OPTI-LOOP™ compensation components can be optimized to provide stable, high performance transient response regardless of the output capacitors selected.

When running into dropout, extra input and output capacitance may be necessary for optimal performance due to the drop in frequency as the duty cycle approaches 100%. Compare Figure 1 to the low dropout regulators shown in the Typical Applications section for recommended  $C_{IN}$ ,  $C_{OUT}$ ,  $C_{FF}$  and  $C_C$  values for low dropout regulators vs regulators not requiring low dropout.

Manufacturers such as Nichicon, United Chemicon and Sanyo should be considered for high performance through-hole capacitors. The OS-CON semiconductor dielectric capacitor available from Sanyo has the lowest ESR for its

size of any aluminum electrolytic at a somewhat higher price. Typically once the ESR requirement is satisfied, the RMS current rating generally far exceeds the  $I_{RIPPLE(P-P)}$  requirement.

In surface mount applications multiple capacitors may have to be paralleled to meet the ESR or RMS current handling requirements of the application. Aluminum electrolytics and dry tantalum capacitors are both available in surface mount configurations. In case of tantalum, it is critical that the capacitors are surge tested for use in switching power supplies. An excellent choice is the AVX TPS, AVX TPSV and KEMET T510 series of surface mount tantalums, available in case heights ranging from 2mm to 4mm. Other capacitor types include Sanyo OS-CON, Sanyo POSCAP, Nichicon PL series and Panasonic SP.

### Efficiency Considerations

The efficiency of a switching regulator is equal to the output power divided by the input power times 100%. It is often useful to analyze individual losses to determine what is limiting efficiency and which change would produce the most improvement. Efficiency can be expressed as:

$$\text{Efficiency} = 100\% - (L1 + L2 + L3 + \dots)$$

where  $L1$ ,  $L2$ , etc. are the individual losses as a percentage of input power.

Although all dissipative elements in the circuit produce losses, four main sources usually account for most of the losses in the LTC1771 circuits: the LTC1771 DC bias current, MOSFET gate charge current,  $I^2R$  losses and catch diode losses.

1. The DC bias current is 9 $\mu$ A at no load and increases proportionally with load up to a constant 150 $\mu$ A during continuous mode. This bias current is so small that this loss is negligible at loads above a milliamp but at no load accounts for nearly all of the loss.
2. The MOSFET gate charge current results from switching the gate capacitance of the power MOSFET switch. Each time the gate is switched from high to low to high again, a packet of charge  $dQ$  moves from  $V_{IN}$  to ground. The resulting  $dQ/dt$  is the current out of  $V_{IN}$  which is typically much larger than the DC bias current. In

OPTI-LOOP is a trademark of Linear Technology Corporation.

## APPLICATIONS INFORMATION

continuous mode,  $I_{\text{GATECHG}} = fQ_P$  where  $Q_P$  is the gate charge of the internal switch. Both the DC bias and gate charge losses are proportional to  $V_{\text{IN}}$  and thus their effects will be more pronounced at higher supply voltages.

- $I^2R$  losses are predicted from the internal switch, inductor and current sense resistor. In continuous mode the average output current flows through L but is “chopped” between the P-channel MOSFET in series with  $R_{\text{SENSE}}$  and the output diode. The MOSFET  $R_{\text{DS(ON)}}$  plus  $R_{\text{SENSE}}$  multiplied by the duty cycle can be summed with the resistance of L to obtain  $I^2R$  losses.
- The catch diode loss is proportional to the forward drop as the diode conducts current during the off-time and is more pronounced at high supply voltages where the off-time is long. However, as discussed in the Catch Diode section, diodes with lower forward drops often have higher leakage currents, so although efficiency is improved, the no-load supply current will increase. The diode loss is calculated by multiplying the forward voltage drop times the diode duty cycle multiplied by the load current.

Other losses including  $C_{\text{IN}}$  and  $C_{\text{OUT}}$  ESR dissipative losses, and inductor core losses, generally account for less than 2% total additional loss.

### Output Voltage Programming

The output voltage is programmed with an external divider from  $V_{\text{OUT}}$  to  $V_{\text{FB}}$  (Pin 1) as shown in Figure 2. The regulated voltage is determined by:

$$V_{\text{OUT}} = 1.23 \left( 1 + \frac{R_2}{R_1} \right)$$

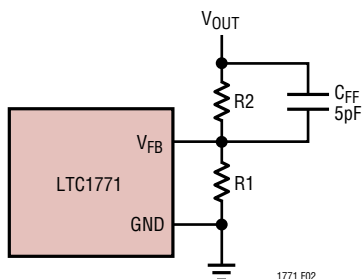


Figure 2. LTC1771 Adjustable Configuration

To minimize no-load supply current, resistor values in the megohm range should be used. The increase in supply current due to the feedback resistors can be calculated from:

$$\Delta I_{\text{VIN}} = \frac{V_{\text{OUT}}}{R_1 + R_2} \left( \frac{V_{\text{OUT}}}{V_{\text{IN}}} \right)$$

A 5pF feedforward capacitor across R2 is recommended to minimize output voltage ripple in Burst Mode operation.

### Run/Soft-Start Function

The RUN/SS pin is a dual purpose pin that provides the soft-start function and a means to shut down the LTC1771. Soft-start reduces the input surge current from  $V_{\text{IN}}$  by gradually increasing the internal current limit. Power supply sequencing can also be accomplished using this pin.

An internal 1 $\mu$ A current source charges up an external capacitor  $C_{\text{SS}}$ . When the voltage on the RUN/SS reaches 1V, the LTC1771 begins operating. As the voltage on the RUN/SS continues to ramp from 1V to 2.2V, the internal current limit is also ramped at a proportional linear rate. The current limits begins near 40% maximum load at  $V_{\text{RUN/SS}} = 1\text{V}$  and ends at maximum load at  $V_{\text{RUN/SS}} = 2.2\text{V}$ . The output current thus ramps up slowly, reducing the starting surge current required from the input power supply. If the RUN/SS has been pulled all the way to ground, there will be a delay before the current limit starts increasing and is given by:

$$t_{\text{DELAY}} \approx C_{\text{SS}}/I_{\text{CHG}}$$

where  $I_{\text{CHG}} \approx 1\mu\text{A}$ . Pulling the RUN/SS pin below 0.5V puts the LTC1771 into a low quiescent current shutdown ( $I_Q < 2\mu\text{A}$ ).

### Foldback Current Limiting

As described in the Catch Diode Selection, the worst-case dissipation for diode occurs with a short-circuit output, when the diode conducts the current limit value almost continuously. In most applications this will not cause excessive heating, even for extended fault intervals. However, when heat sinking is at a premium or higher forward voltage drop diodes are being used, foldback current

## APPLICATIONS INFORMATION

limiting should be added to reduce the current in proportion to the severity of the fault.

Foldback current limiting is implemented by adding two diodes in series between the output and the I<sub>TH</sub> pin as shown in the Functional Diagram. In a hard short (V<sub>OUT</sub> = 0V) the current will be reduced to approximately 25% of the maximum output current.

### Minimum On-Time Considerations

Minimum on-time t<sub>ON(MIN)</sub> is the smallest amount of time that the LTC1771 is capable of turning the top MOSFET on and off again. It is determined by internal timing delays and the amount of gate charge required to turn on the P-channel MOSFET. Low duty cycle applications may approach this minimum on-time limit and care should be taken to ensure that:

$$t_{ON} = t_{OFF} \left( \frac{V_{OUT} + V_D}{V_{IN} - V_{OUT}} \right) > t_{ON(MIN)}$$

where t<sub>OFF</sub> = 3.5μs and t<sub>ON(MIN)</sub> is generally about 0.4μs for the LTC1771.

As the on-time approaches t<sub>ON(MIN)</sub>, the LTC1771 will remain in Burst Mode operation for an increasingly larger portion of the load range (see Figure 3) and at or below t<sub>ON(MIN)</sub> will remain in Burst Mode operation 100% of the time. The output voltage will continue to be regulated, but the ripple current and ripple voltage will increase.

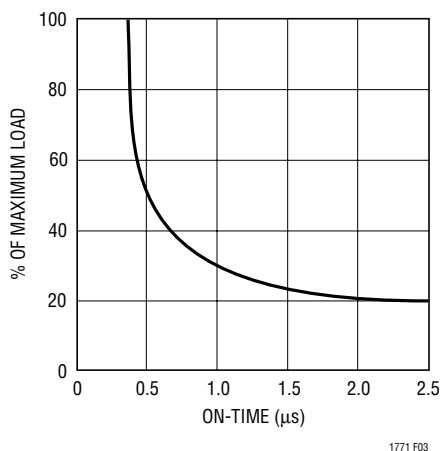


Figure 3. Burst Threshold vs On-Time

### Mode Pin

Burst Mode operation is disabled by pulling MODE (Pin 8) below 0.5V. Disabling Burst Mode operation provides a low noise output spectrum, useful for reducing both audio and RF interference. It does this by keeping the frequency constant (for fixed V<sub>IN</sub>) down to much lower load current (1% to 2% of I<sub>MAX</sub>) and reducing the amount of output voltage and current ripple at light loads. When Burst Mode operation is disabled, efficiency is reduced at light loads and no load supply current increases to 175μA.

### Low Supply Operation

Although the LTC1771 can function down to 2.8V, the maximum allowable output current is reduced when V<sub>IN</sub> decreases below 3.2V. Figure 4 shows the amount of change as the supply is reduced below 3.2V, where 100% of maximum load equals 0.1/R<sub>SENSE</sub>. To ensure adequate output current at V<sub>IN</sub> < 3.2V, simply lower R<sub>SENSE</sub> by the same percentage as the current reduction in Figure 4.

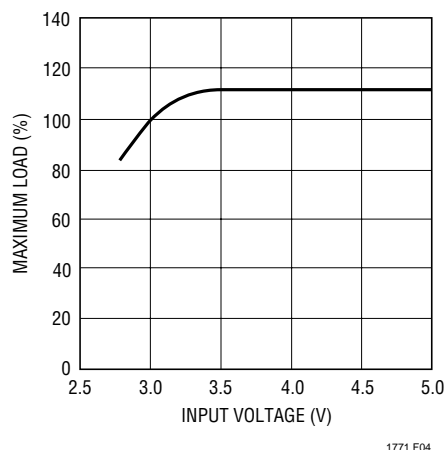


Figure 4. Maximum Load vs Input Voltage

### PC Board Layout Checklist

When laying out the printed circuit board, the following checklist should be used to ensure proper operation of the LTC1771. These items are also illustrated graphically in the layout diagram of Figure 5. Check the following in your layout:

1. Is the Schottky diode *closely* connected to the drain of the external MOSFET and the input cap ground?

## APPLICATIONS INFORMATION

- Is the 0.1μF input decoupling capacitor *closely* connected between V<sub>IN</sub> (Pin 6) and ground (Pin 4)? This capacitor carries the high frequency peak currents.
- Does the V<sub>FB</sub> pin connect directly to the feedback resistors? The resistive divider R1 and R2 must be connected between the (+) plate of C<sub>OUT</sub> and signal ground. Locate the feedback resistors right next to the LTC1771. The V<sub>FB</sub> line should not be routed close to any nodes with high slew rates.
- Is the 1000pF decoupling capacitor for the current sense resistor connected as close as possible to Pins 6 and 7? Ensure accurate current sensing with Kelvin connections to the sense resistor.
- Is the (+) plate of C<sub>IN</sub> *closely* connected to the sense resistor? This capacitor provides the AC current to the MOSFET.
- Are the signal and power grounds segregated? The signal ground consists of the (-) plate of C<sub>OUT</sub>, Pin 4 of the LTC1771 and the resistive divider. The power ground consists of the Schottky diode anode and the (-) plate of C<sub>IN</sub> which should have as short lead lengths as possible.
- Keep the switching node (SW) and the gate node (PGATE) away from sensitive small signal nodes, especially the voltage sensing feedback pin (V<sub>FB</sub>), and minimize their PC trace area.

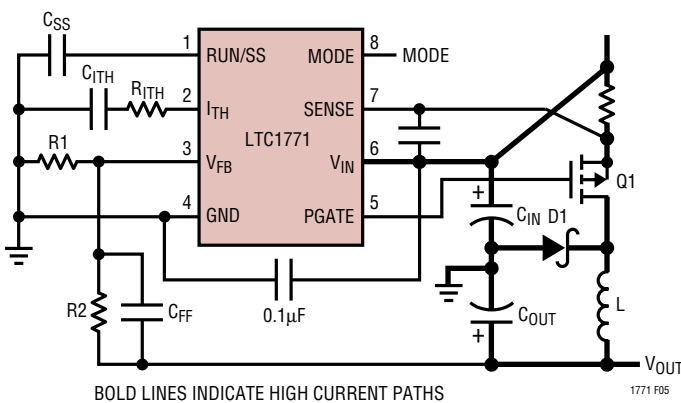


Figure 5. LTC1771 Layout Diagram

### Design Example

As a design example, assume V<sub>IN</sub> = 10V (nominal), V<sub>IN</sub> = 15V<sub>(MAX)</sub>, V<sub>OUT</sub> = 3.3V, and I<sub>MAX</sub> = 2A. With this information, we can easily calculate all the important components.

$$R_{SENSE} = 100\text{mV}/2\text{A} = 0.05\Omega$$

To optimize low current efficiency, MODE pin is tied to V<sub>IN</sub> to enable Burst Mode operation, thus the minimum inductance necessary is:

$$L_{MIN} = 70\mu\text{H}(3.3\text{V} + 0.5)(0.05\Omega) = 13.3\mu\text{H}$$

15μH is chosen for the application.

$$\Delta I_L = 3.5\mu\text{s} \left( \frac{3.3\text{V} + 0.5\text{V}}{15\mu\text{H}} \right) = 0.89\text{A}$$

For the feedback resistors, choose R1 = 1M to minimize supply current. R2 can then be calculated to be:

$$R2 = (V_{OUT}/1.23 - 1) \cdot R1 = 1.68\text{M}$$

Assume that the MOSFET dissipation is to be limited to P<sub>P</sub> = 0.25W.

If T<sub>A</sub> = 70°C and the thermal resistance of the MOSFET is 83°C/W, then the junction temperatures will be 91°C and δ<sub>P</sub> = 0.33. The required R<sub>DS(ON)</sub> for the MOSFET can now be calculated:

$$\begin{aligned} \text{P-Channel } R_{DS(ON)} &= \frac{0.25\text{W}}{\left( \frac{3.3\text{V} + 0.5\text{V}}{10\text{V} + 0.5\text{V}} \right) (2\text{A})^2 (1.33)} \\ &= 0.130\Omega \end{aligned}$$

Since the gate of the MOSFET will see the full input voltage, a MOSFET must be selected whose V<sub>GS(MAX)</sub> > 15V. A P-channel MOSFET that meets both the V<sub>GS(MAX)</sub> and R<sub>DS(ON)</sub> requirement is the Si6447DQ.

The most stringent requirement for the Schottky diode occurs when V<sub>OUT</sub> = 0V (i.e., short circuit) at maximum V<sub>IN</sub>. In this case the worst-case dissipation rises to:

$$P_D = I_{SC(AVG)}(V_D) \left( \frac{V_{IN}}{V_{IN} + V_D} \right)$$

## APPLICATIONS INFORMATION

With a  $0.05\Omega$  sense resistor  $I_{SC(AVG)} = 2A$  will result, increasing the 0.5V Schottky diode dissipation to 1W.

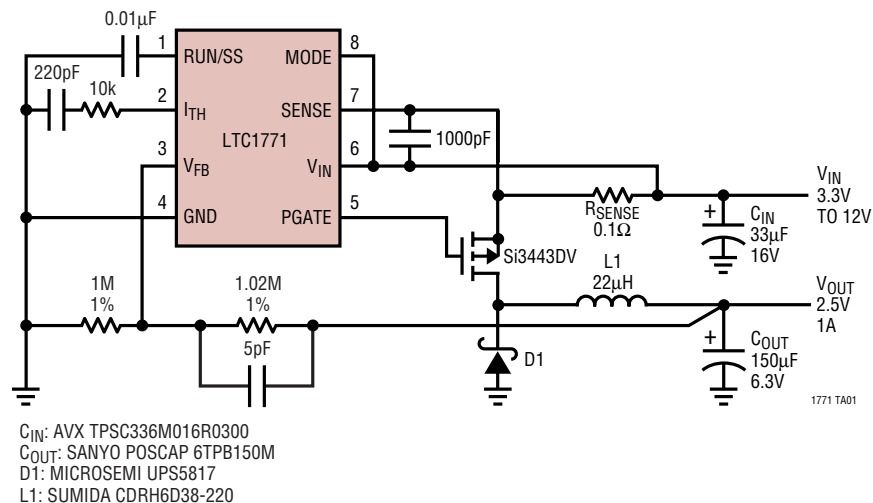
$C_{IN}$  is chosen for a RMS current rating of at least 1A at temperature.  $C_{OUT}$  is chosen with an ESR of  $0.05\Omega$  for low

output ripple. The output voltage ripple due to ESR is approximately:

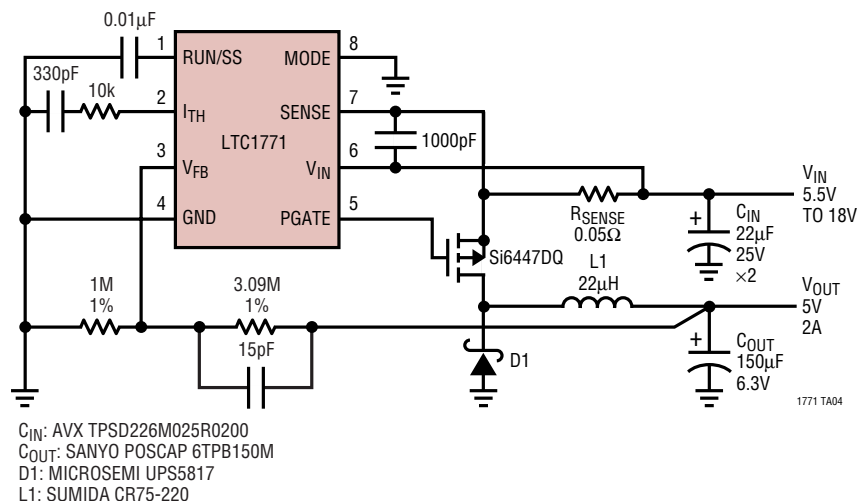
$$V_{ORIPPLE} \approx (R_{ESR})(\Delta I_L) = 0.05\Omega (0.89A_{P-P}) = 45mV_{P-P}$$

## TYPICAL APPLICATIONS

### 3.3V to 2.5V/1A Regulator with Burst Mode Operation Enabled

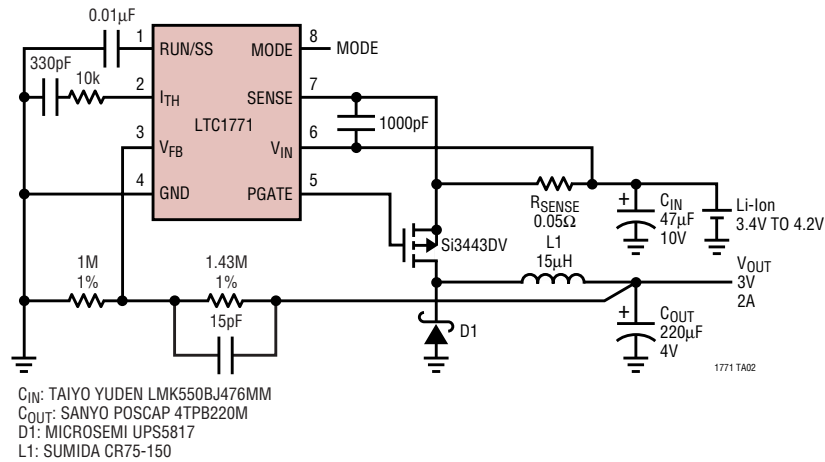


### Low Dropout 5V/2A Regulator with Burst Mode Operation Disabled

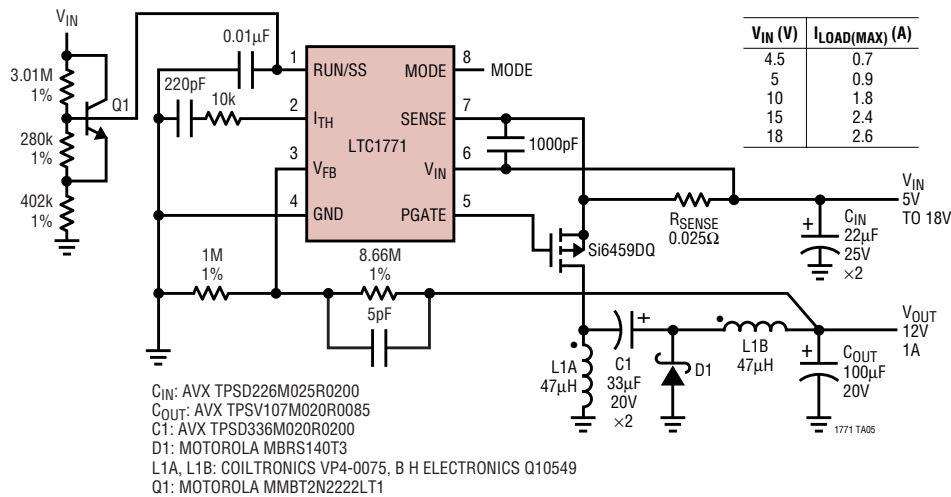


TYPICAL APPLICATIONS

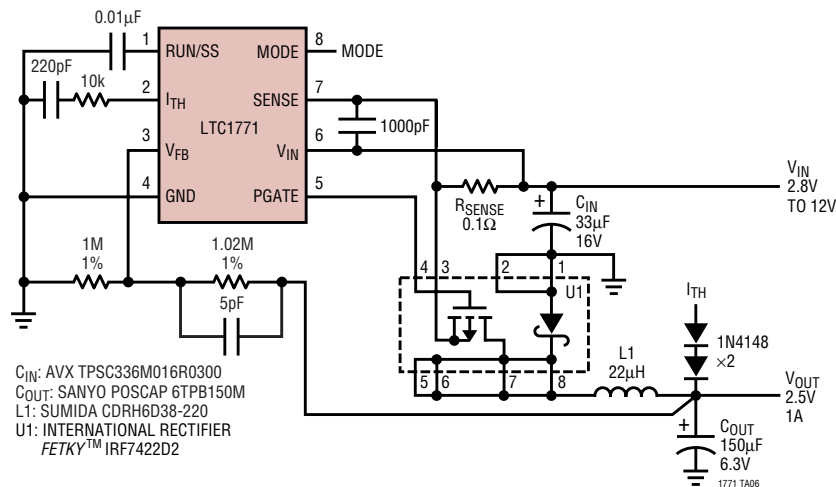
Low Dropout Single Cell Lithium-Ion to 3V



12V/1A Zeta Converter

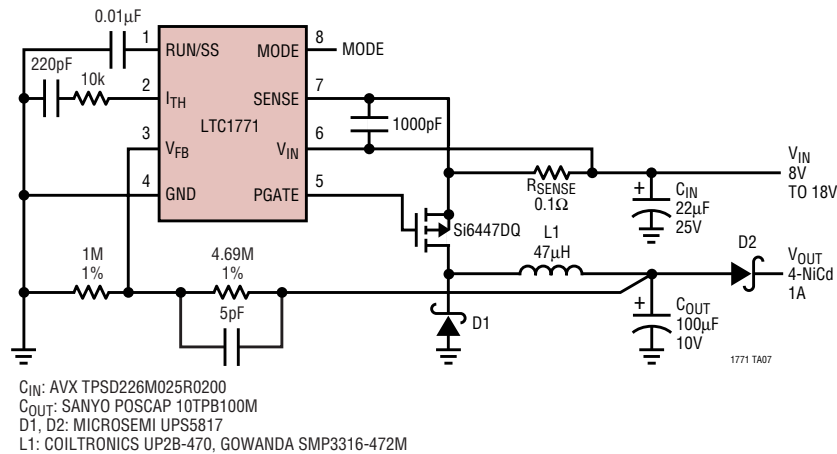


2.5V/1A Regulator with Foldback Current Limit



# TYPICAL APPLICATIONS

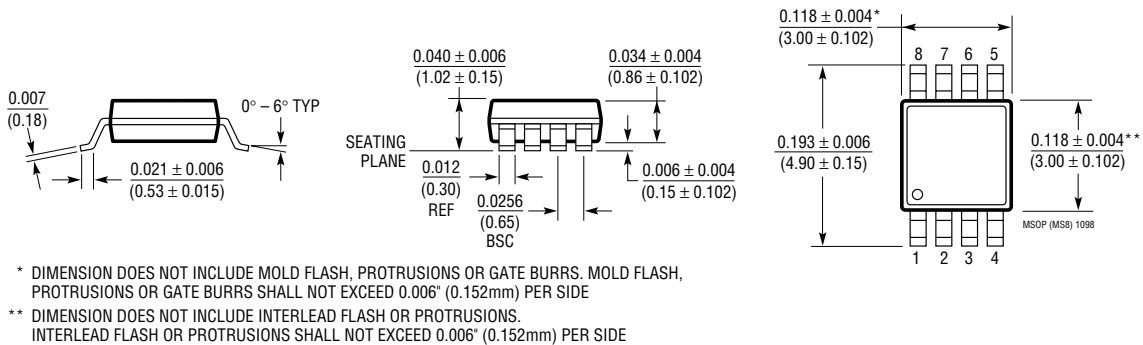
## 4-NiCd/NiMH Battery Charger



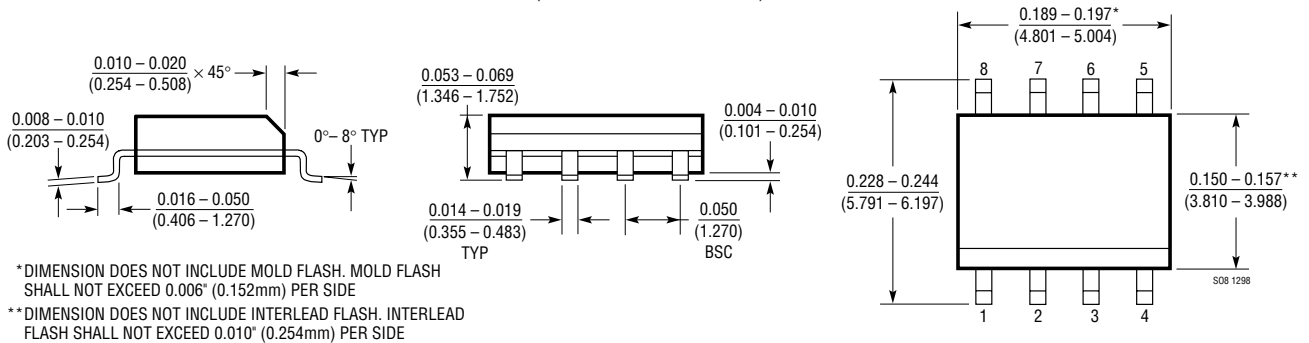
# PACKAGE DESCRIPTION

Dimension in inches (millimeters) unless otherwise noted.

### MS8 Package 8-Lead Plastic MSOP (LTC DWG # 05-08-1660)

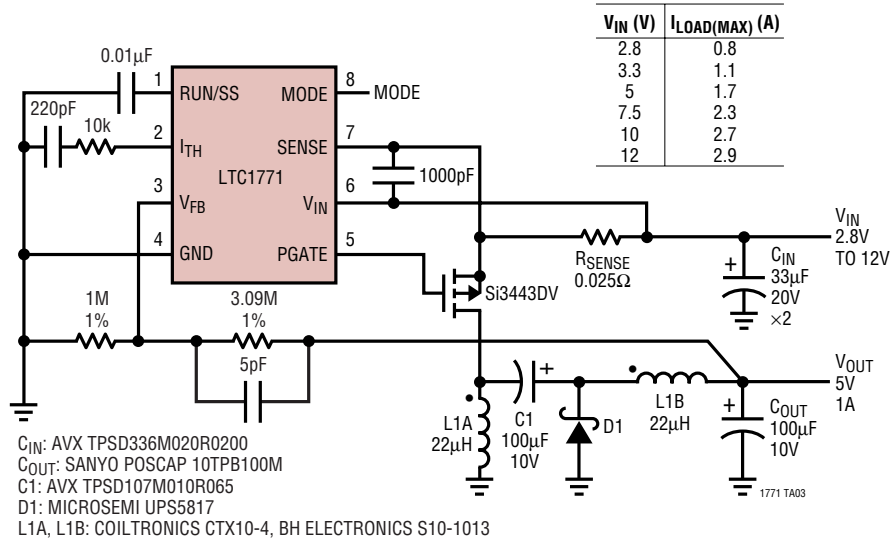


### S8 Package 8-Lead Plastic Small Outline (Narrow 0.150) (LTC DWG # 05-08-1610)



## TYPICAL APPLICATION

### 5V/1A Zeta Converter



## RELATED PARTS

PART NUMBER	DESCRIPTION	COMMENTS
LTC1147 Series	High Efficiency Step-Down Switching Regulator Controllers	100% DC, 3.5V ≤ V <sub>IN</sub> ≤ 16V
LTC1174/LTC1174-3.3/LTC1174-5	High Efficiency Step-Down and Inverting DC/DC Converters	Selectable I <sub>PEAK</sub> = 300mA or 600mA
LTC1265	1.2A High Efficiency Step-Down DC/DC Converter	Burst Mode Operation, Internal MOSFET
LTC1474/LTC1475	Low Quiescent Current Step-Down Regulators	Monolithic, I <sub>Q</sub> = 10µA, 400mA, MS8
LTC1574/LTC1574-3.3/LTC1574-5	High Efficiency Step-Down DC/DC Converters with Internal Schottky Diode	LTC1174 with Internal Schottky Diode
LTC1622	Low Input Voltage Step-Down DC/DC Controller	Constant Frequency, 2V to 10V V <sub>IN</sub> , MS8
LTC1624	High Efficiency SO-8 N-Channel Switching Regulator Controller	95% DC, 3.5V to 36V V <sub>IN</sub>
LT <sup>®</sup> 1761 Series	100mA, Low Noise, LDO Micropower Regulators in SOT-23	20µA Quiescent Current, 20µV <sub>RMS</sub> Noise
LT1763 Series	500mA, Low Noise, LDO Micropower Regulators	30µA Quiescent Current, 20µV <sub>RMS</sub> Noise
LTC1772	Constant Frequency Step-Down DC/DC Controller	SOT-23, 2.2V to 9.8V V <sub>IN</sub>
LTC1877	High Efficiency Monolithic Step-Down Regulator	550kHz, MS8, V <sub>IN</sub> Up to 10V, I <sub>Q</sub> = 10µA, I <sub>OUT</sub> to 600mA
LTC1878	High Efficiency Monolithic Step-Down Regulator	550kHz, MS8, V <sub>IN</sub> Up to 6V, I <sub>Q</sub> = 10µA, I <sub>OUT</sub> to 600mA