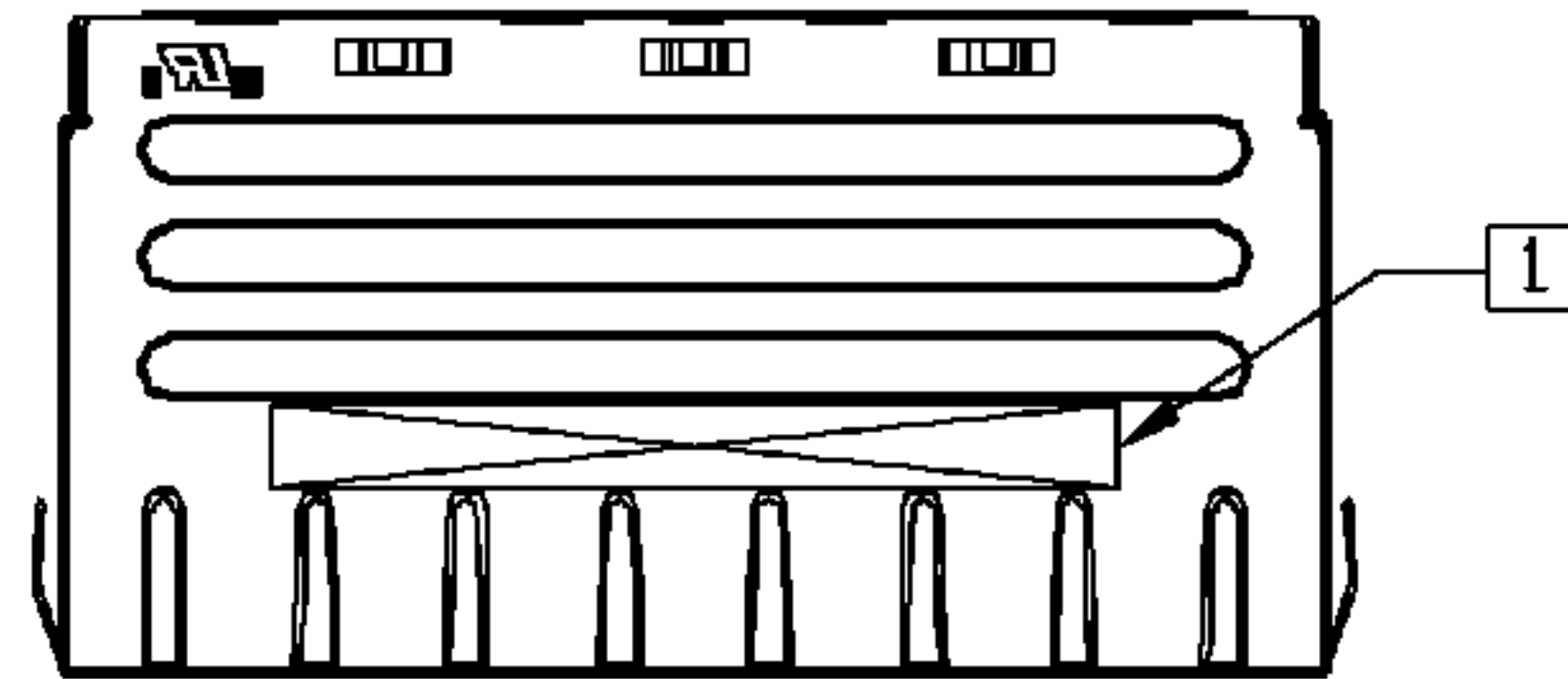
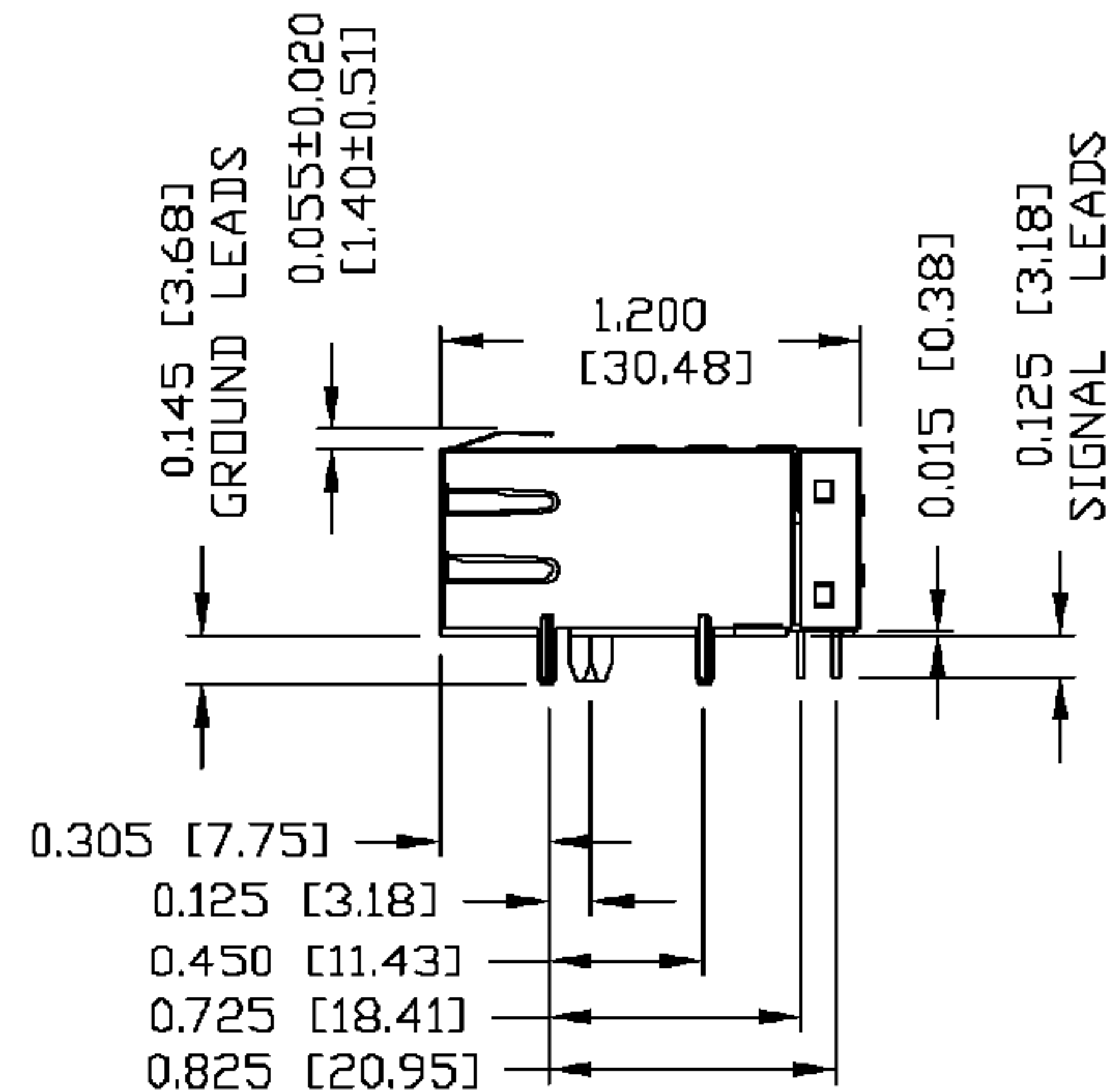
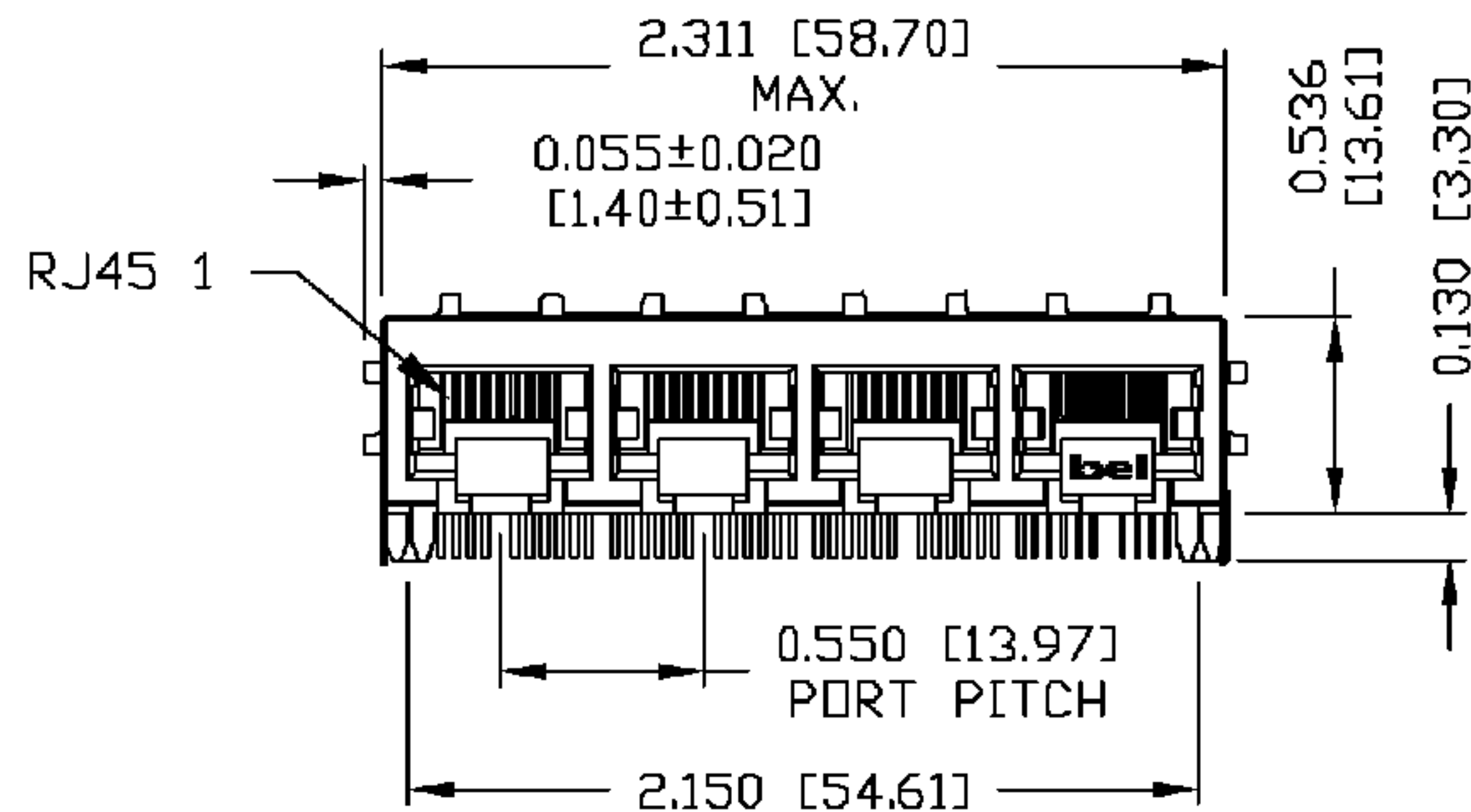


THE INFORMATION CONTAINED HEREIN IS CONSIDERED "PROPRIETARY" TO BEL FUSE INC. AND SHALL NOT BE COPIED, REPRODUCED OR DISCLOSED WITHOUT THE WRITTEN APPROVAL OF BEL FUSE INC.



NOTES:

- PLASTIC HOUSING: THERMOPLASTIC PBT
FLAMMABILITY RATING UL 94V-0
 - CONTACTS PLATING: 50 MICRO-INCH HARD GOLD PLATING
 - PINS: TIN-COATED COPPER WIRE, DIA 0.018 INCH.
 - METAL SHIELD: NICKEL PLATED PHOSPHOR BRONZE, 0.010 THICK.
(ALL GROUND LEADS ARE SOLDER DIPPED)
 - ① MARK PART WITH MFG. LOGO; MFG. NAME; PART NUMBER; DATE CODE.
- UL** US UL RECOGNIZED - FILE #E196366 AND E169987.



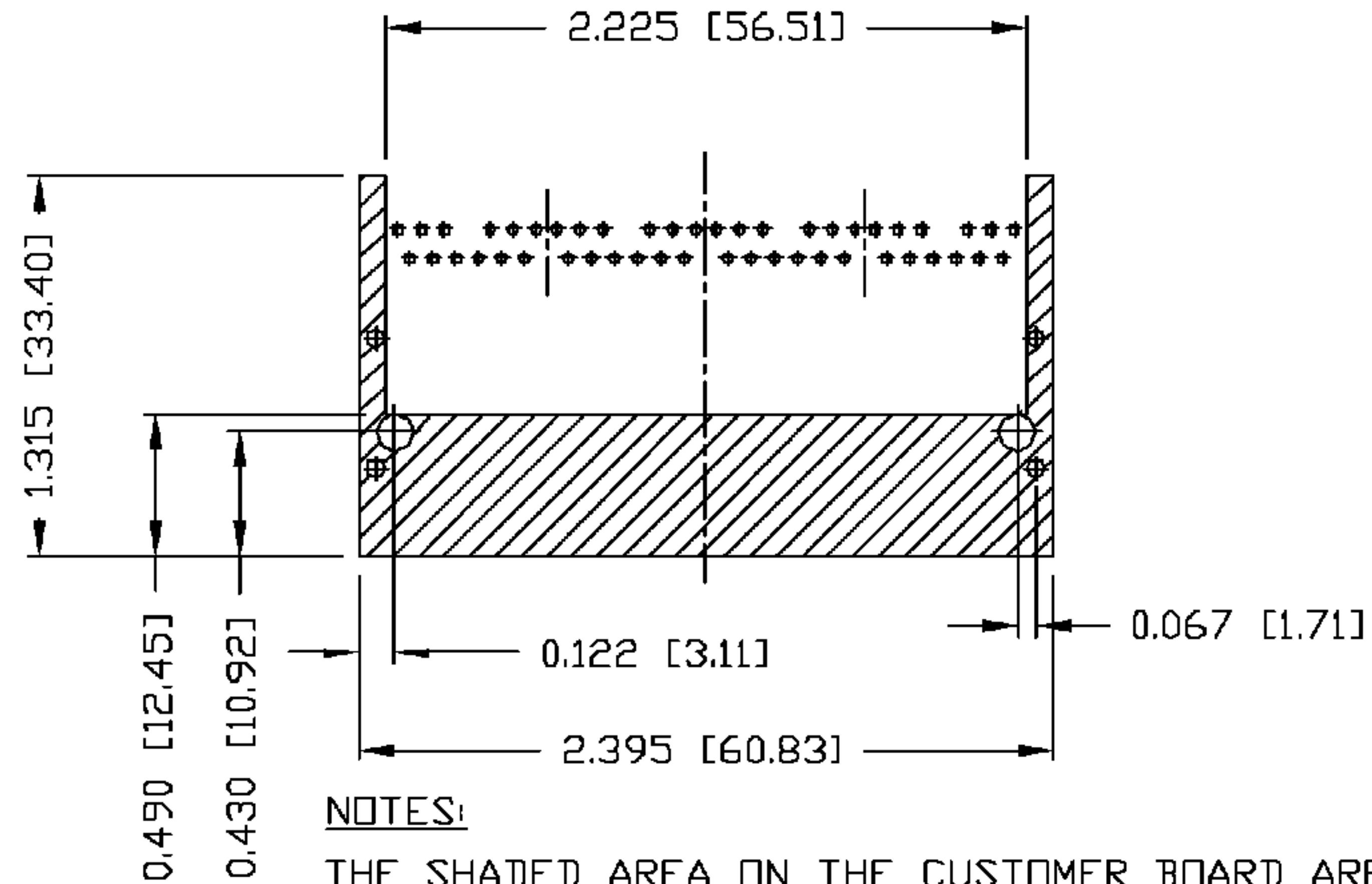
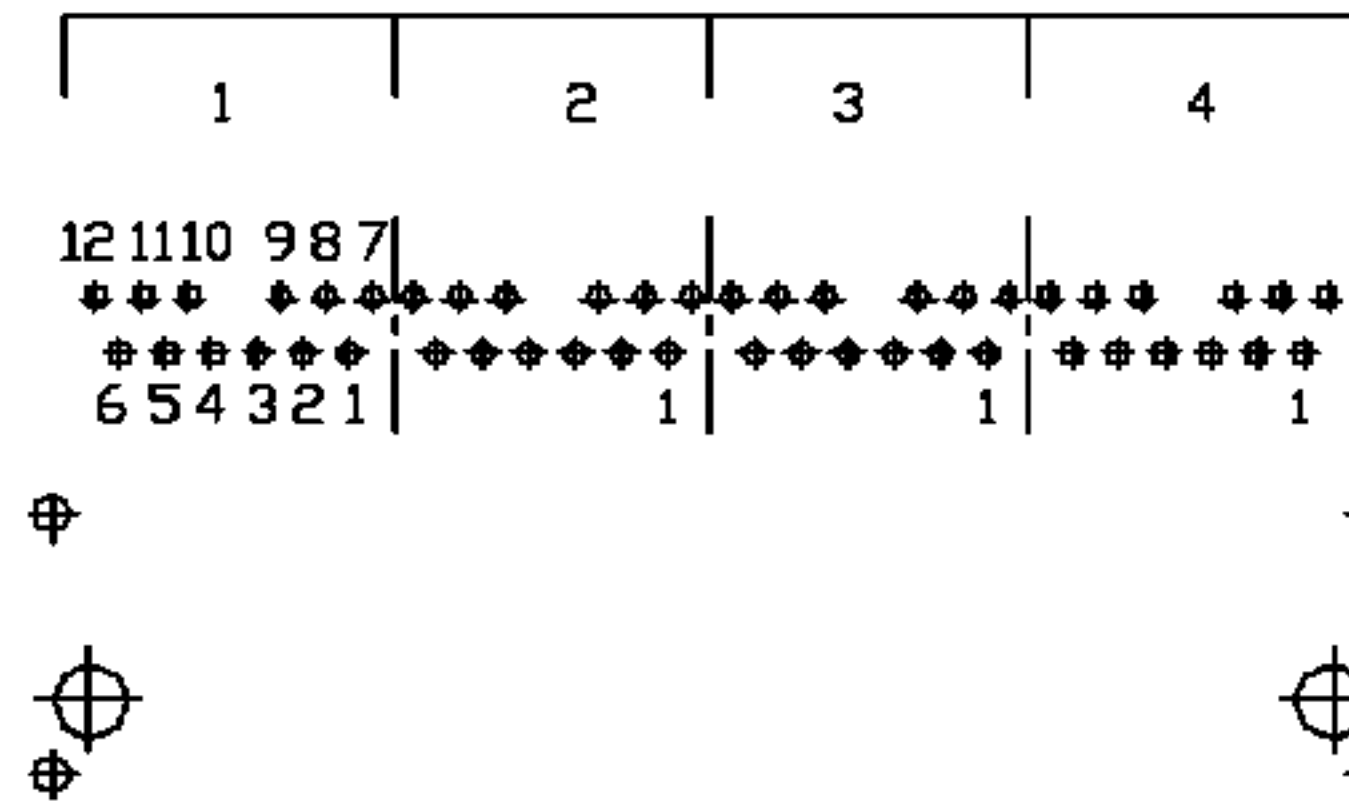
ORIGINATED BY BILL	DATE 11-01-05	TITLE gigabit MagJack® 1X4	PART NO. / DRAWING NO. 0813-1X4T-23	STANDARD DIM. TOL. IN INCH	[] METRIC DIM. AS REFERENCE		 COMPONENTS FOR A CONNECTED PLANET
DRAWN BY QIN	DATE 11-01-05		FILE NAME 08131X4T23D.DWG	.X .XX .XXX	UNIT : INCH [mm] SCALE : N/A	REV. : D SIZE : A4	
				±0.010		PAGE : 3	

THE INFORMATION CONTAINED HEREIN IS CONSIDERED "PROPRIETARY" TO BEL FUSE INC. AND SHALL NOT BE COPIED, REPRODUCED OR DISCLOSED WITHOUT THE WRITTEN APPROVAL OF BEL FUSE INC.

PIN-OUT INFORMATION
(COMPONENT SIDE VIEW)


12	TRCT1
11	TRD1+
10	TRD1-
9	TRD4-
8	TRD4+
7	TRCT4
6	TRCT2
5	TRD2-
4	TRD2+
3	TRD3+
2	TRD3-
1	TRCT3

PIN AND PORT ASSIGNMENT
(COMPONENT SIDE VIEW)

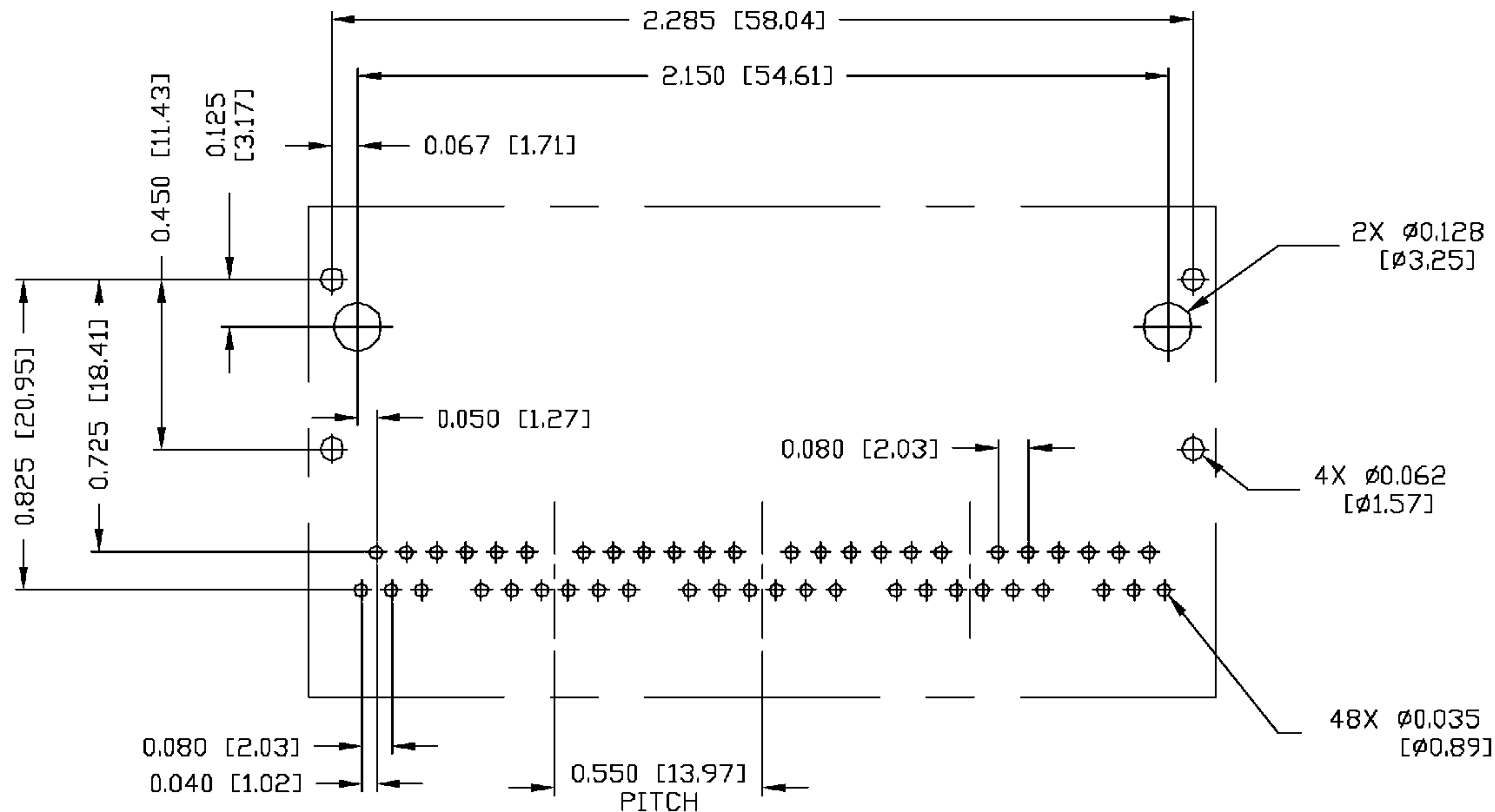


NOTES:

THE SHADED AREA ON THE CUSTOMER BOARD ARE RECOMMENDED TO BE CLEAR OFF ANY VIA HOLE OR COMPONENT PAD.

ORIGINATED BY BILL	DATE 11-01-05	TITLE glgabit MagJack® 1X4	PART NO. / DRAWING NO. 0813-1X4T-23	STANDARD DIM. TOL. IN INCH	[] METRIC DIM. AS REFERENCE		 COMPONENTS ARE CONNECTED PLANET
DRAWN BY QIN	DATE 11-01-05		FILE NAME 08131X4T23D.DWG	.X .XX .XXX	UNIT : INCH [mm] SCALE : N/A	REV. : D SIZE : A4 PAGE : 4	
				±0.004			

THE INFORMATION CONTAINED HEREIN IS CONSIDERED "PROPRIETARY" TO BEL FUSE INC. AND SHALL NOT BE COPIED, REPRODUCED OR DISCLOSED WITHOUT THE WRITTEN APPROVAL OF BEL FUSE INC.



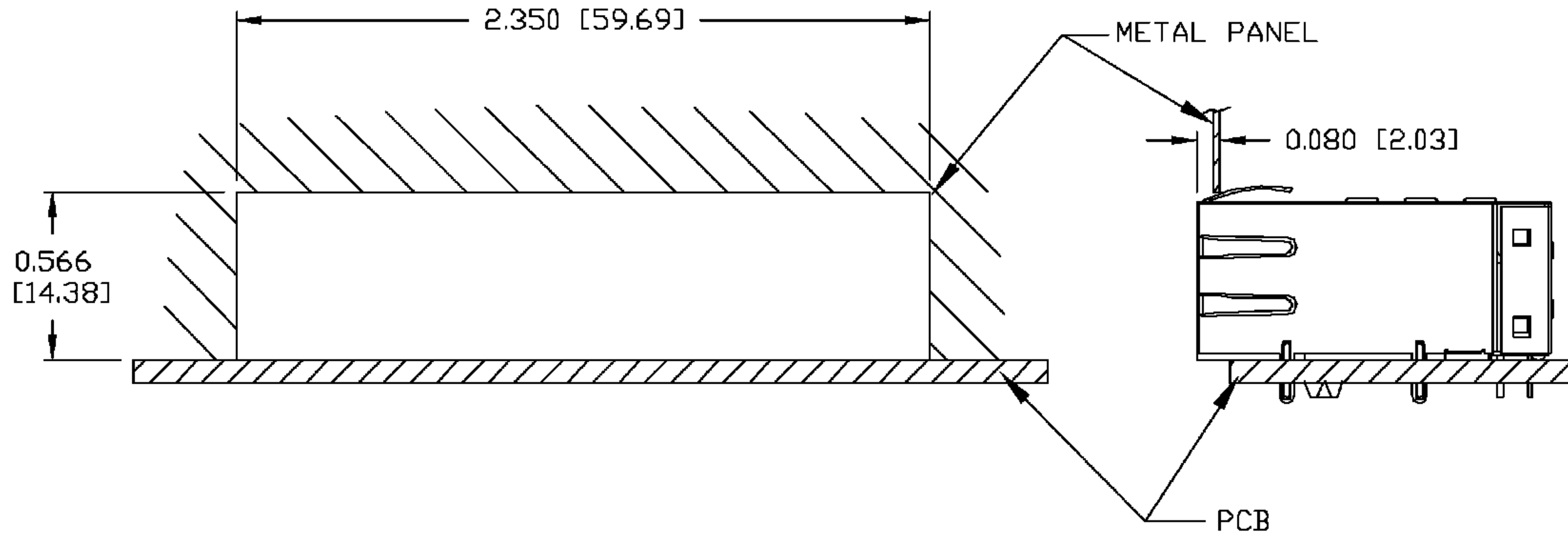
RECOMMENDED PCB FOOTPRINT
(COMPONENT SIDE VIEW)

ORIGINATED BY BILL	DATE 11-01-05	TITLE glgabl1 MagJack® 1X4	PART NO. / DRAWING NO. 0813-1X4T-23	STANDARD DIM. TOL. IN INCH	[] METRIC DIM. AS REFERENCE
DRAWN BY QIN	DATE 11-01-05		FILE NAME 08131X4T23D.DWG	.X .XX .XXX	UNIT : INCH [mm] SCALE : N/A ±0.004



THE INFORMATION CONTAINED HEREIN IS CONSIDERED "PROPRIETARY" TO BEL FUSE INC. AND SHALL NOT BE COPIED, REPRODUCED OR DISCLOSED WITHOUT THE WRITTEN APPROVAL OF BEL FUSE INC.

SUGGESTED PANEL OPENING



NOTE:

THE DISTANCE OF PANEL INSIDE SURFACE RELATIVE TO FRONT SURFACE OF PART IS ONLY A SUGGESTION. IN CASE THIS DISTANCE IS DIFFERENT, THE REQUIRED PANEL OPENING DIMENSIONS CHANGE ACCORDINGLY.

PACKING INFORMATION


PACKING TRAY: 0200-0148-37 (TOP)

0200-0148-38 (BOTTOM)

PACKING QUANTITY: 20 PCS FINISHED GOODS PER TRAY

8 TRAYS (160 PCS FINISHED GOODS) PER CARTON BOX

NOTE: CARDBOARDS ARE PLACED BETWEEN LAYERS OF PACKING TRAY INSIDE CARTON BOX
(INCLUDE THE UPPERMOST AND LOWERMOST TRAY)

ORIGINATED BY	DATE	TITLE	PART NO. / DRAWING NO.	STANDARD DIM. TOL. IN INCH	[] METRIC DIM. AS REFERENCE	 COMPONENTS FOR A CONNECTED PLANET
BILL	11-01-05	gigabit MagJack® 1X4	0813-1X4T-23	.X	UNIT : INCH [mm]	
DRAWN BY	DATE		FILE NAME	.XX	SCALE : N/A	
QIN	11-01-05		08131X4T23D.DWG	.XXX	±0.004	
						REV. : D SIZE : A4 PAGE : 6