



## GMN 209 NJ schwarz/black

Industrial Connectors:Rectangular connectors GDM-series:Type B EN 175301-803 (DIN 43650) / ISO 6952:Cable socket

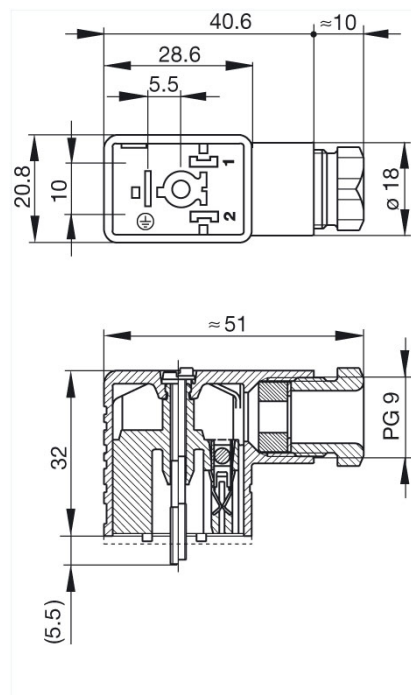
### Delivery informations

Availability available  
Document created at 18.06.2008

### Product description

Description cable socket with central screw M 3 x 35  
Type GMN 209 NJ schwarz/black  
Order No. 932 987-100  
Other standard types grey housing,  
Order No. 932 987-106  
Number of contacts 2 + PE  
Cable gland PG 9  
Cable diameter PG 9  
Conductor size max. 1.5 mm<sup>2</sup>  
Standard DIN EN 175 301-803-B  
Housing Color black  
Construction type B

### Drawing



### Technical data

Pin dimensions 6.3 mm x 0.8 mm  
Rated voltage AC/DC 250 V

Rated current	16 A
Contact resistance	<= 4 mOhm
Type of termination	screw / cable shoe / cable eye
Suitable cables	4.5 mm to 7 mm diameter
Mounting	central screw
<b>Material</b>	
Contact surface material	Sn
Contact bearer material	PA
Housing material	PA
<b>Environmental conditions</b>	
Protection class (IEC 60529)	IP 65
Pollution severity	3
Temperature range	-40 °C to +125 °C
<b>Inflammability class</b>	
Housing	94 V-1
Contact bearer	94 HB
<b>Approvals</b>	
UR	UR
VDE	VDE
SEV	SEV
CSA	CSA (not for interrupt current)
<b>Packing unit</b>	
Packaging unit	200 pieces
<b>Scope of delivery and accessories</b>	
Accessories to order separately	(NBR) flat gasket GMN 209-3, Order No. 733 273-002; (EPDM) flat gasket GMN 209-12, Order No. 733 271-004; knurled screw GDM 3011-8, Order No. 732 574-001; stainless steel screw GDM 3011 RF-1, Order No. 734 363-001