




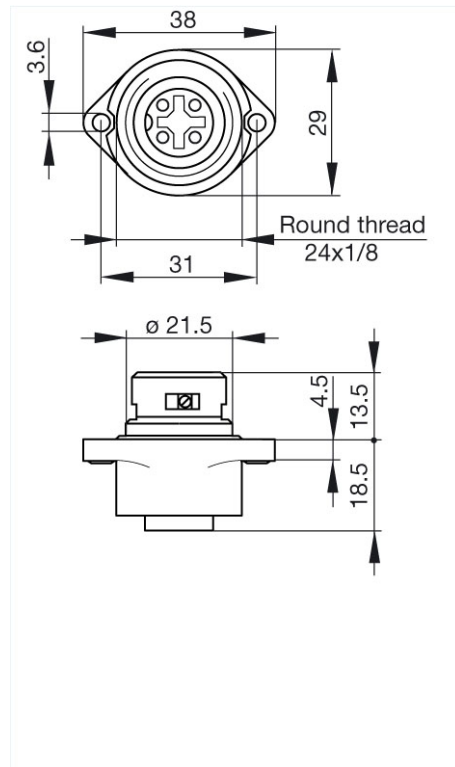
## Product information CA 3 GD

Industrial Connecting Solutions: Circular Connectors: MIL, DIN, Universal Connectors: Signal and Power (CA series): Cable socket and panel-mounted socket: CA 3 GD

<http://e-catalog.hirschmann.com/link/57078-24228-256281-256284-24359-24360-36074/en/conf/ulistate>

|  |   |
|--|---|
| Name                                     | CA 3 GD   |
|  |  |
|  | Panel-mounted socket with flange  |
| <b>Delivery informations</b>             |   |
| Availability                             | available   |
| <b>Product description</b>               |   |
| Description                              | Panel-mounted socket with flange  |
| Type                                     | CA 3 GD   |
| Order No.                                | 932 321-100   |
| Number of contacts                       | 3 + PE  |
| Conductor size                           | max. 2.5 mm <sup>2</sup>  |
| Housing Color                            | black   |
| <b>Technical data</b>                    |   |
| Pin dimensions                           | 2 mm  |
| Rated voltage                            | AC 400 V / DC 250 V   |
| Rated current                            | DC 10 A / AC 16 A   |
| Contact resistance                       | <= 3 mOhm   |
| Type of termination                      | screw   |
| Mounting                                 | flange  |
| <b>Material</b>                          |   |
| Contact surface material                 | Ag  |
| Contact bearer material                  | PA 66-GF 25   |
| Housing material                         | PA 66-GF 25   |
| O-Ring                                   | NBR   |
| <b>Environmental conditions</b>          |   |
| Protection class (IEC 60529)             | IP 67   |
| Pollution severity                       | 3   |
| Temperature range                        | -40 °C to +90 °C  |
| <b>Inflammability class</b>              |   |
| Flammability, UL standard                | 94 V-0  |
| <b>Approvals</b>                         |   |
| UL                                       | UL  |
| VDE                                      | VDE   |
| <b>Packaging unit</b>                    |   |
| Packaging unit                           | 100 pieces  |
| <b>Scope of delivery and accessories</b> |   |
| Scope of delivery                        | 1 panel-mounted socket with sealing ring, in polyphene bag                        |
| Accessories to order separately          | can be plugged into CA 3 LS; cap CA 00 SD 4, order no. 831 531-100                |

Picture  
Drawing



**Belden Deutschland GmbH**  
Im Gewerbepark 2  
58579 Schalksmühle  
Germany  
Phone: +49 7127/14-1806  
E-Mail: [icos-sales@belden.com](mailto:icos-sales@belden.com)

The information published in the websites has been compiled as carefully as possible. It is subject to alteration without notice in technical as well as in price-related/commercial respect. The complete information and data were available on user documentation. Mandatory information can only be obtained by a concrete query.