

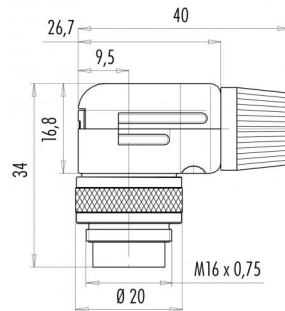
Product description **M16 IP40 male angled connector, Contacts: 3 DIN, 4.0 - 6.0 mm, shieldable, solder, IP40**

Area **M16 IP40 series 682**
 Order number **99 0135 10 03**

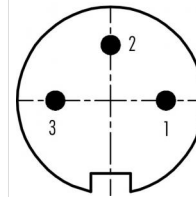
Illustration



Scale drawing



Contact arrangement (Plug-in side)



	X	Y
1	3,50	0,00
2	0,00	3,50
3	-3,50	0,00

You can find the component part drawing and assembly instructions on the next page.

Technical data

General features

Order number 99 0135 10 03
 Connector design male angled connector
 Version connector male angled
 Connector locking system screw
 Termination solder
 Degree of protection IP40
 Cross-sectional area max. 0.75 mm² / max. AWG 18
 Cable outlet 4.0 - 6.0 mm
 Temperature range from/to -40 °C / 85 °C
 Mechanical operation > 1000 Mating cycles
 Weight (g) 34.439
 Customs tariff number 85369010

Material

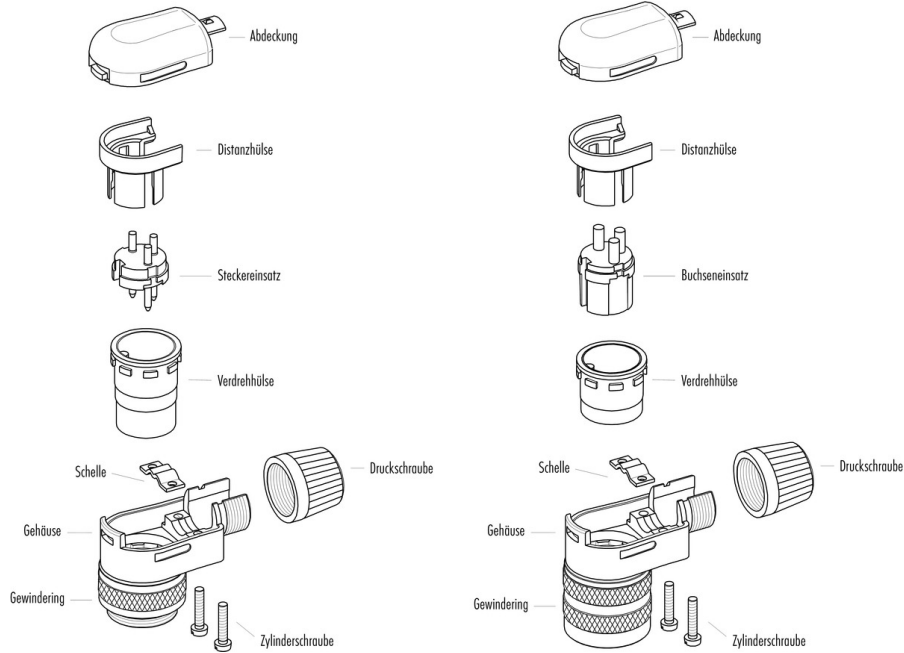
Housing material Zinc die-cast nickel-plated
 Contact body material PBT (UL94 V-0)
 Contact material CuZn (brass)
 Contact plating Ag (silver)
 REACH SVHC CAS 7439-92-1 (Lead)

Electrical parameters

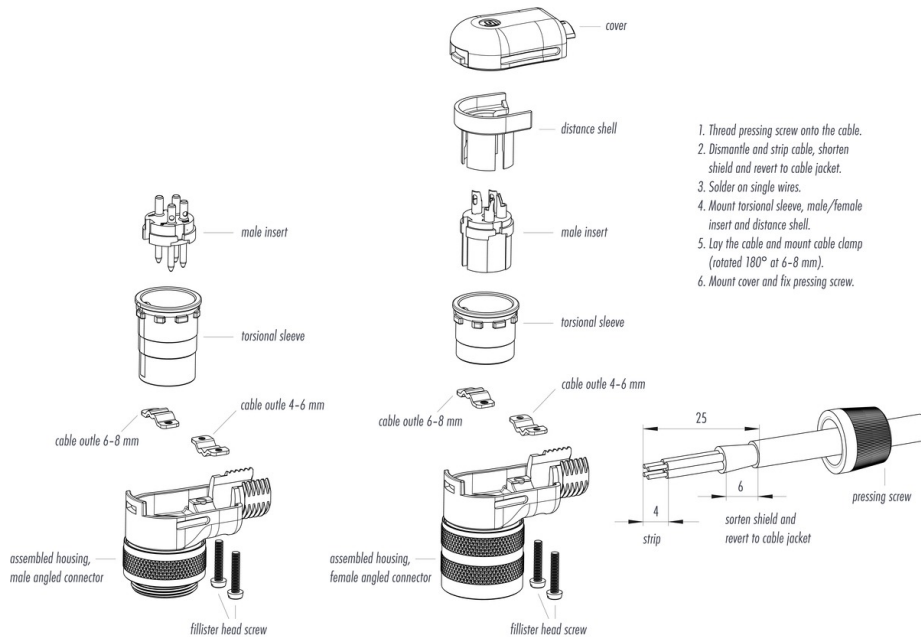
Rated voltage 250 V
 Rated impulse voltage 1500 V
 Rated current (40 °C) 7 A
 Insulation resistance ≥ 10¹⁰ Ω
 Pollution degree 1
 Overvoltage category I
 Insulating material group III
 EMC compliance shieldable

Product description	M16 IP40 male angled connector, Contacts: 3 DIN, 4.0 - 6.0 mm, shieldable, solder, IP40
Area	M16 IP40 series 682
Order number	99 0135 10 03

Component part drawing



Assembly instructions / Panel cut-out



Product description	M16 IP40 male angled connector, Contacts: 3 DIN, 4.0 - 6.0 mm, shieldable, solder, IP40
Area	M16 IP40 series 682
Order number	99 0135 10 03

Security notices

The connector must not be plugged or unplugged under load. Non-observance and improper use can result in personal injury.

The connectors have been developed for applications in plant engineering, control and electrical equipment construction. The user is responsible for checking whether the connectors can also be used in other areas of application.

To protect against unintentional opening of the connector, the thread between the housing and the connector head must be secured with a suitable cyanoacrylate adhesive when used in circuits with voltages dangerous to the touch. This does not apply to connectors used in SELV and PELV circuits according to IEC 61140 (EN 61140, VDE 0140-1).

Connectors which are used in circuits with voltages dangerous to the touch may only be installed and used by, or under the supervision of, persons with electrical engineering training, taking into account the applicable regulations and standards.

The plug connector is not suitable for mains voltages. Please observe the pollution degree and the overvoltage category. For further information, please refer to the download center "Technical Information".

To lock the cable connector with the device connector, the threaded ring is tightened "hand-tight" (approx. 50 cNm).