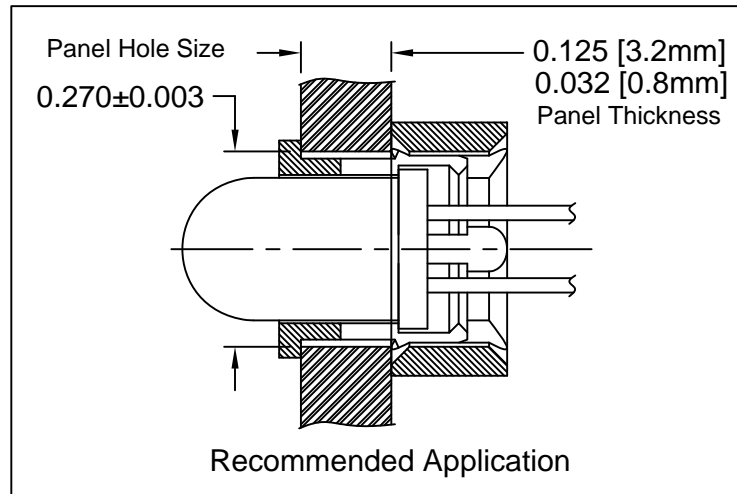
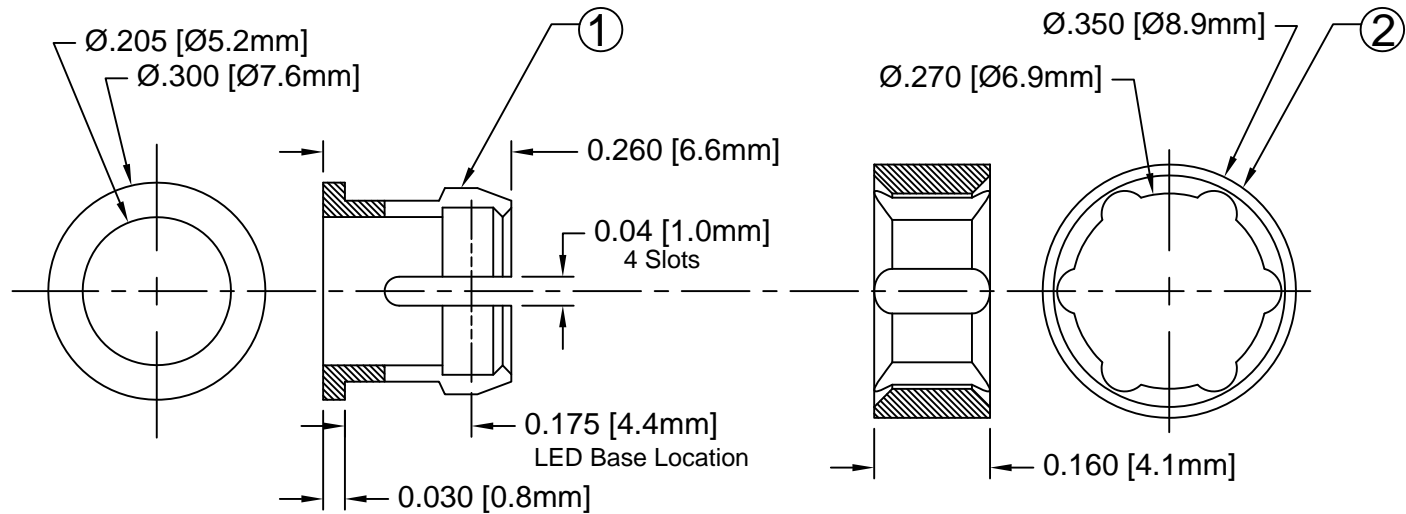

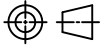


ITEM	QTY	PART NUMBER	PART DESCRIPTION
1	1	C-174	T-1¼ (5mm) LED CLIP
2	1	R-174	T-1¼ (5mm) LED RING

REV.	DESCRIPTION	DATE	APPROVED
B	Engineering Update w/o Changes	02/26/04	M. C.
C	Remove Material Code	05/28/16	J. C.



STANDARD TOLERANCE (UNLESS OTHERWISE SPECIFIED)		 4 THOMAS, IRVINE, CA. 92618 TEL: (949) 951-8808 FAX: (949) 951-3974	
DECIMALS	ANGULAR		
.X ±.1	X° ± 1°		TITLE: T-1¼ LED CLIP AND RING SET
.XX ±.01			DESIGNED: <b>S. Irving</b>
.XXX ±.005		CHECKED: <b>M. Chen</b>	DATE: <b>05/17/02</b>
		PART NO: <b>CR-174</b>	REVISION: <b>C</b>
		CAGE CODE : <b>32559</b>	SHEET # <b>1</b> OF <b>1</b>
CAD GENERATED DOCUMENT. DO NOT MEASURE DRAWING.			

2. MATERIAL: NYLON 6/6, 94V-2, BLACK.

1. GENERAL SPECIFICATIONS: BIVAR MOLDED COMPONENT SPECIFICATION BV00-E101.