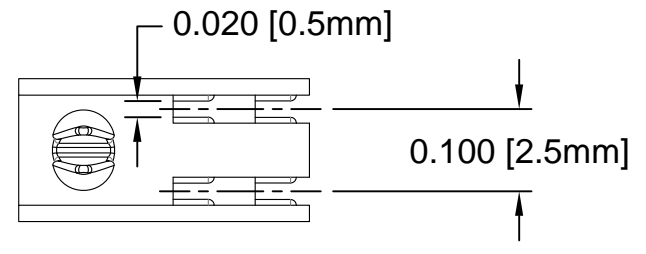
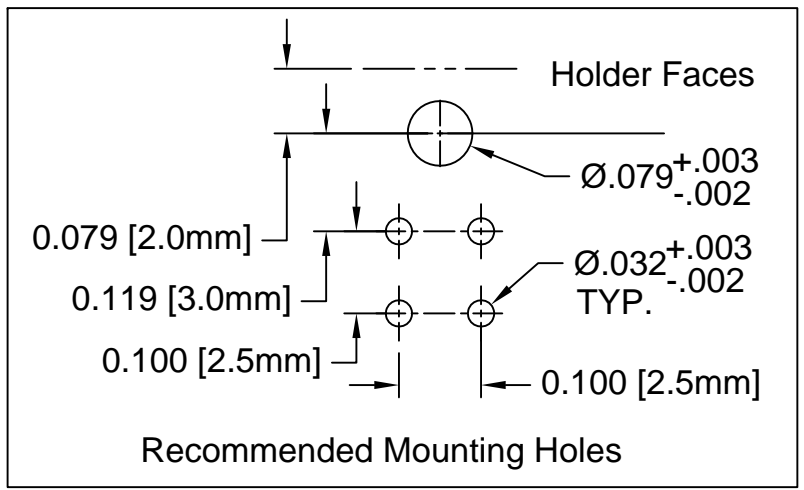
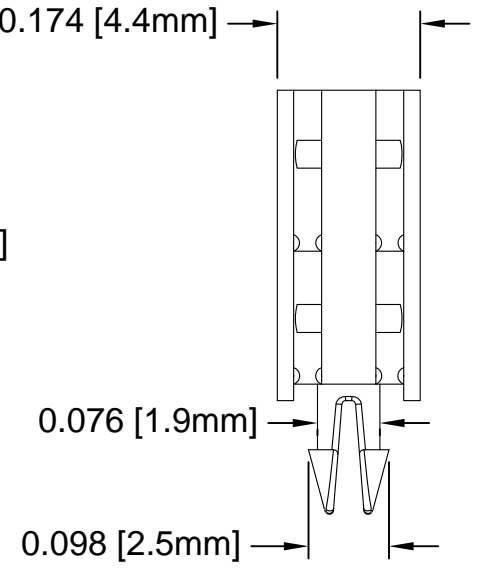
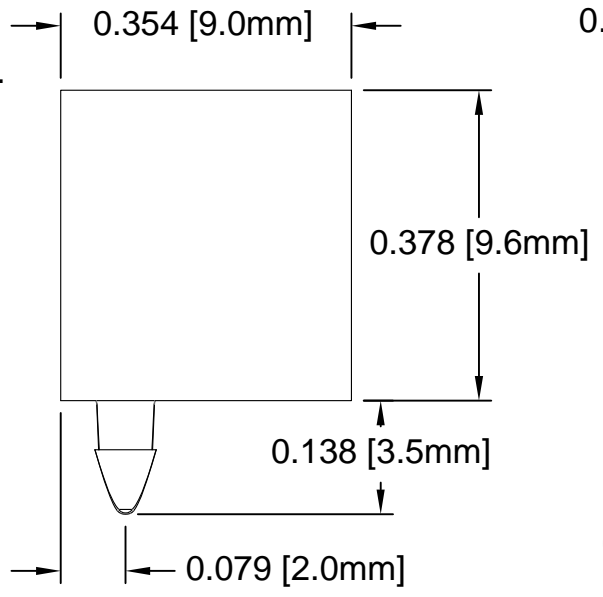
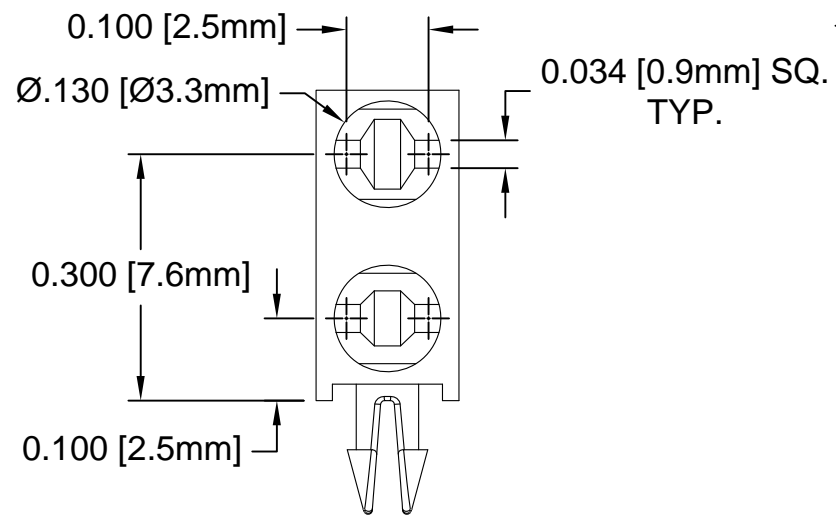


REV.	DESCRIPTION	DATE	APPROVED
D	Engineering Release	06/11/13	T. Y.
E	Removed Material Code	05/28/16	J. C.



- 2. MATERIAL: NYLON 6/6, 94V-0, BLACK.
- 1. GENERAL SPECIFICATIONS: BIVAR MOLDED COMPONENT SPECIFICATION BV00-E101.

STANDARD TOLERANCE (UNLESS OTHERWISE SPECIFIED)		BIVAR®	
DECIMALS	ANGULAR	4 THOMAS, IRVINE, CA. 92618 TEL: (949) 951-8808 FAX: (949) 951-3974	
.X ± .1	X° ± 1°	TITLE: BI-LEVEL T-1 (3mm) LED HOLDER PART NO: H-220C-LP REVISION: E	
.XX ± .01			
.XXX ± .005			
DESIGNED: S. Irving	DATE: 06/24/02	CAGE CODE : 32559	SHEET # 1 OF 1
CHECKED: M. Chen	DATE: 06/25/02	CAD GENERATED DOCUMENT. DO NOT MEASURE DRAWING.	