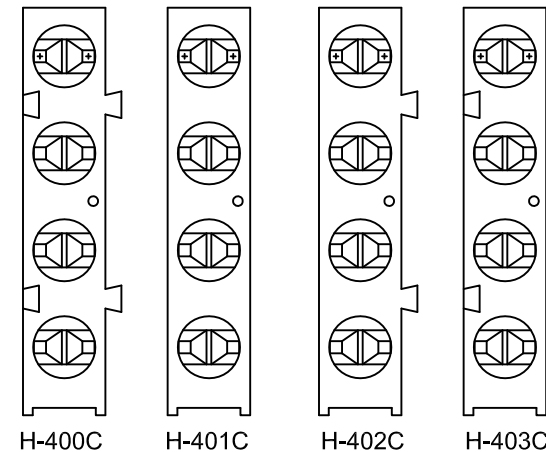
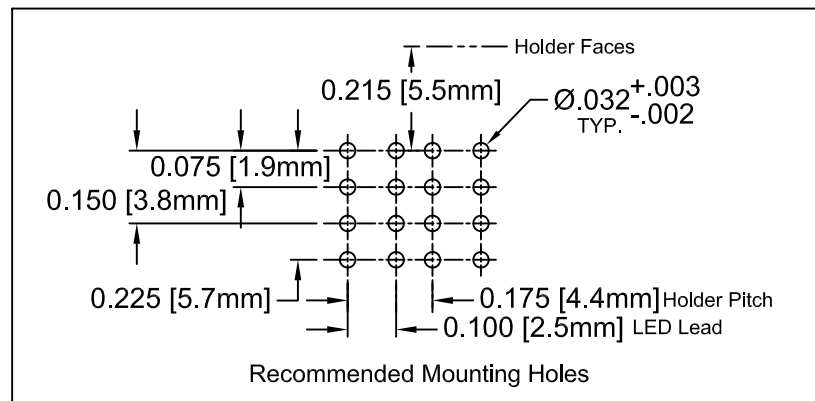
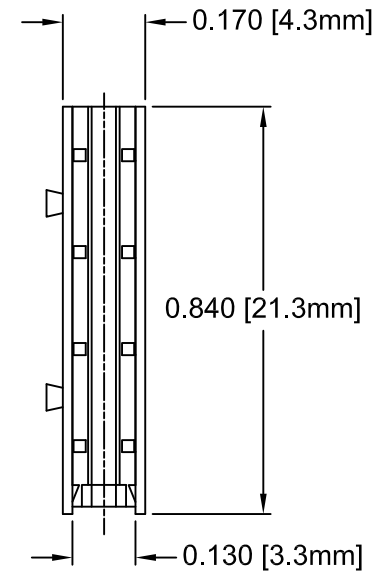
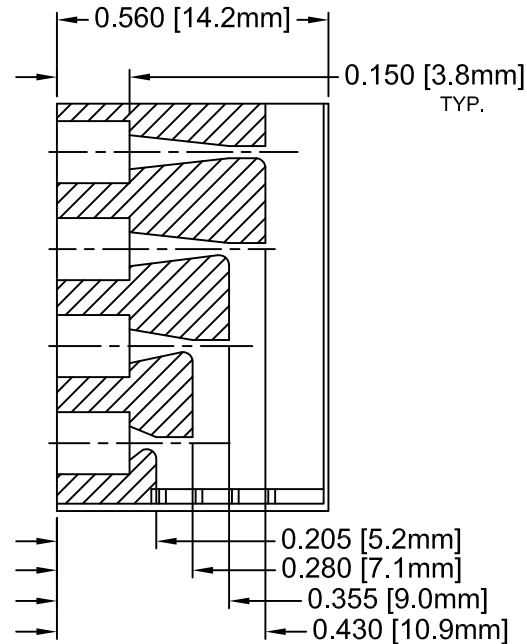
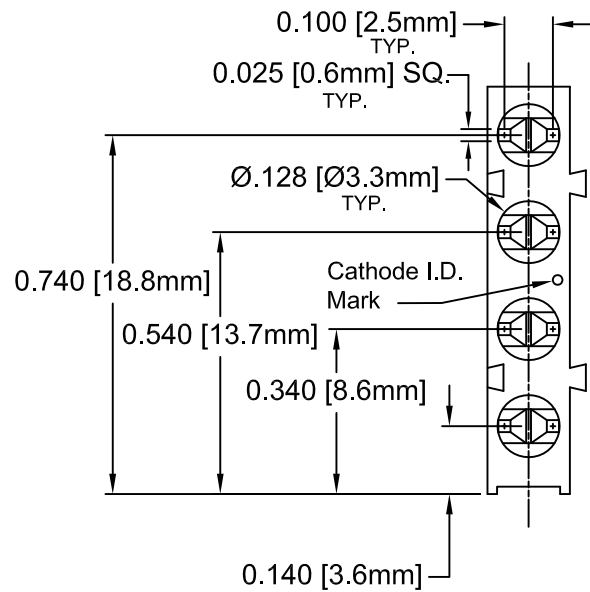


REV.	DESCRIPTION	DATE	APPROVED
B	Engineering Update w/o Changes	02/27/04	M. C.
C	Core Modification	02/26/08	M. C.
D	Corrected Conversion Error	03/03/08	M. C.
E	Removed Core Modification	08/05/09	T. Y.



2. MATERIAL: NYLON 6/6, 94V-0, BLACK. BIVAR MATERIAL CODE 22-BK.
RTP POLYAMIDE NYLON 6/6, 0200 FR, BLACK OR MODIFIED PLASTICS MN6/6-SE BK.
1. GENERAL SPECIFICATIONS: BIVAR MOLDED COMPONENT SPECIFICATION BV00-E101.

STANDARD TOLERANCE (UNLESS OTHERWISE SPECIFIED)		BIVAR [®]	
(UNLESS OTHERWISE SPECIFIED)		4 THOMAS, IRVINE, CA. 92618	
DECIMALS		TEL: (949) 951-8808 FAX: (949) 951-3974	
.X	± .1	ANGULAR	
.XX	± .01	X° ± 1°	
.XXX	± .005	TITLE: QUAD-LEVEL T-1 (3mm) LED HOLDER INTERLOCKING	
DESIGNED:	DATE:	PART NO:	REVISION:
David Green	04/15/03	H-40XC	E
CHECKED:	DATE:	CAGE CODE :	SHEET # 1 OF 1
M. Chen	04/15/03	32559	
CAD GENERATED DOCUMENT, DO NOT MEASURE DRAWING.			