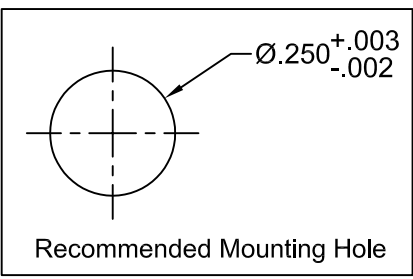
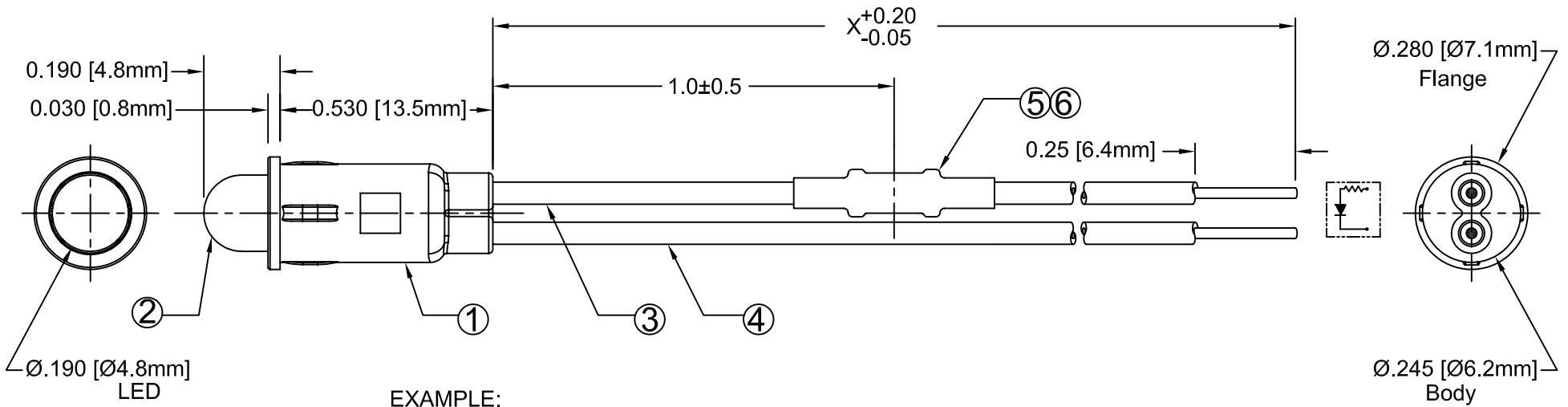


| ITEM | Q'TY | PART NUMBER | PART DESCRIPTION |
|------|------|---------------|--|
| 1 | 1 | PM5 | LED HOLDER, PANEL MOUNT, PRESS FIT, (5mm) |
| 2 | 1 | 5XX | T-1¼ (5mm) Non-Flange LED, See Page 2. |
| 3 | 1 | BWS24-1007-RD | 24AWG Wire Lead U.L. 1007, Red |
| 4 | 1 | BWS24-1007-BK | 24AWG Wire Lead U.L. 1007, Black |
| 5 | 1 | RXXXX-.5 | XXXX Ohm ±5%, 0.5 Watt Resistor, See Page 2. |
| 6 | 1 | BST500-BK | Shrink Tubing, Black, .50" Cut Length |

| REV. | DESCRIPTION | DATE | APPROVED |
|------|-----------------------|----------|----------|
| A | Engineering Release. | 10/13/04 | M. C. |
| B | Updated Wire Callout. | 05/29/08 | M. C. |
| | | | |
| | | | |



EXAMPLE:
PM5RD24VW6-ER
 Series | LED Color & Lens Appearance. | 24 Volt Assembly | Wire Length | External Resistor


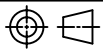
ABSOLUTE MAXIMUM RATINGS (Ta = 25°C)

- REVERSE VOLTAGE _____ 5V
- REVERSE CURRENT (VR=5V) _____ 100µA
- OPERATING TEMPERATURE RANGE _____ -40°C ~ 85°C
- STORAGE TEMPERATURE _____ -40°C ~ 100°C
- LEAD SOLDERING TEMPERATURE (1/16" FROM BODY) _____ 260°C for 5 Seconds

| | | | |
|---|--------------------------|--|-----------------------|
| STANDARD TOLERANCE (UNLESS OTHERWISE SPECIFIED) | | BIVAR ® 4 THOMAS, IRVINE, CA. 92618 TEL: (949) 951-8808 FAX: (949) 951-3974 | |
| DECIMALS | ANGULAR | | |
| .X ±.1 | X° ± 1° | | |
| .XX ±.02 | | TITLE: T-1¼ (5mm) PANEL MOUNT ASSY, 24 Volt, External Resistor | |
| .XXX ±.010 | | | |
| DESIGNED: David Green | DATE: 10/13/04 | PART NO: PM5XX24VWX-ER | REVISION: B |
| CHECKED: T. Yin | DATE: 10/13/04 | CAGE CODE : 32559 | SHEET # 1 OF 2 |
| CAD GENERATED DOCUMENT, DO NOT MEASURE DRAWING. | | | |

| | | | |
|------|--------------|------|----------|
| REV. | DESCRIPTION | DATE | APPROVED |
| | SEE SHEET#1. | | |

| LED Assy. No. | Peak Wave Length λ p(nm) | Emitted Color | Lens Appearance | Electro-Optical Data @ 20mA | | | | Viewing Angle $2\theta \frac{1}{2}$ (Deg) | Resistor Value (Ohm) | LED P/N |
|----------------|-------------------------------------|---------------|-----------------|-----------------------------|-----------|-----|-------------|---|-------------------------|---------|
| | | | | If (mA) | Vf (V) | | Iv (mcd) | | | |
| | | | | | TYP | TYP | | | | |
| PM5BWC24VWX-ER | 430 | BLUE | WATER CLEAR | 25 | 4.0 | 4.5 | 50 | 20 | 1000 | 5BWC |
| PM5BWD24VWX-ER | 430 | BLUE | DIFFUSED | 25 | 4.0 | 4.5 | 20 | 45 | 1000 | 5BWD |
| PM5BWT24VWX-ER | 430 | BLUE | TINTED | 25 | 4.0 | 4.5 | 50 | 20 | 1000 | 5BWT |
| PM5GC24VWX-ER | 565 | GREEN | WATER CLEAR | 30 | 2.2 | 2.6 | 150 | 20 | 1100 | 5GC |
| PM5GD24VWX-ER | 565 | GREEN | DIFFUSED | 30 | 2.2 | 2.6 | 70 | 45 | 1100 | 5GD |
| PM5GT24VWX-ER | 565 | GREEN | TINTED | 30 | 2.2 | 2.6 | 150 | 20 | 1100 | 5GT |
| PM5YC24VWX-ER | 585 | YELLOW | WATER CLEAR | 30 | 2.1 | 2.6 | 140 | 20 | 1100 | 5YC |
| PM5YD24VWX-ER | 585 | YELLOW | DIFFUSED | 30 | 2.1 | 2.6 | 70 | 45 | 1100 | 5YD |
| PM5YT24VWX-ER | 585 | YELLOW | TINTED | 30 | 2.1 | 2.6 | 140 | 20 | 1100 | 5YT |
| PM5AC24VWX-ER | 610 | AMBER | WATER CLEAR | 30 | 2.2 | 2.6 | 70 | 20 | 1100 | 5AC |
| PM5AD24VWX-ER | 610 | AMBER | DIFFUSED | 30 | 2.2 | 2.6 | 45 | 45 | 1100 | 5AD |
| PM5AT24VWX-ER | 610 | AMBER | TINTED | 30 | 2.2 | 2.6 | 70 | 20 | 1100 | 5AT |
| PM5HC24VWX-ER | 635 | HE RED | WATER CLEAR | 30 | 2.0 | 2.6 | 150 | 20 | 1100 | 5HC |
| PM5HD24VWX-ER | 635 | HE RED | DIFFUSED | 30 | 2.0 | 2.6 | 80 | 45 | 1100 | 5HD |
| PM5HT24VWX-ER | 635 | HE RED | TINTED | 30 | 2.0 | 2.6 | 150 | 20 | 1100 | 5HT |
| PM5RC24VWX-ER | 655 | RED | WATER CLEAR | 40 | 1.7 | 2.0 | 15 | 20 | 1100 | 5RC |
| PM5RD24VWX-ER | 655 | RED | DIFFUSED | 40 | 1.7 | 2.0 | 5 | 45 | 1100 | 5RD |
| PM5RT24VWX-ER | 655 | RED | TINTED | 40 | 1.7 | 2.0 | 15 | 20 | 1100 | 5RT |
| PM5SRC24VWX-ER | 660 | SUPER RED | WATER CLEAR | 20 | 1.7 | 2.6 | 350 | 20 | 1100 | 5SRC |
| PM5SRD24VWX-ER | 660 | SUPER RED | DIFFUSED | 20 | 1.7 | 2.6 | 90 | 45 | 1100 | 5SRD |
| PM5SRT24VWX-ER | 660 | SUPER RED | TINTED | 20 | 1.7 | 2.6 | 350 | 20 | 1100 | 5SRT |

| | | |
|---|--------------------------|--|
| STANDARD TOLERANCE (UNLESS OTHERWISE SPECIFIED) $\pm 10\%$ ALL VALUES | |  BIVAR [®] 4 THOMAS, IRVINE, CA. 92618 TEL: (949) 951-8808 FAX: (949) 951-3974 |
| ANGULAR X° ± 5° | | |
|  | | TITLE: T-1¼ (5mm) PANEL MOUNT ASSY, 24 Volt, External Resistor |
| DESIGNED: David Green | DATE: 10/13/04 | PART NO: PM5XX24VWX-ER |
| CHECKED: Ty Yln | DATE: 10/13/04 | CAGE CODE : 32559 SHEET # 2 OF 2 |
| CAD GENERATED DOCUMENT, DO NOT MEASURE DRAWING. | | |