

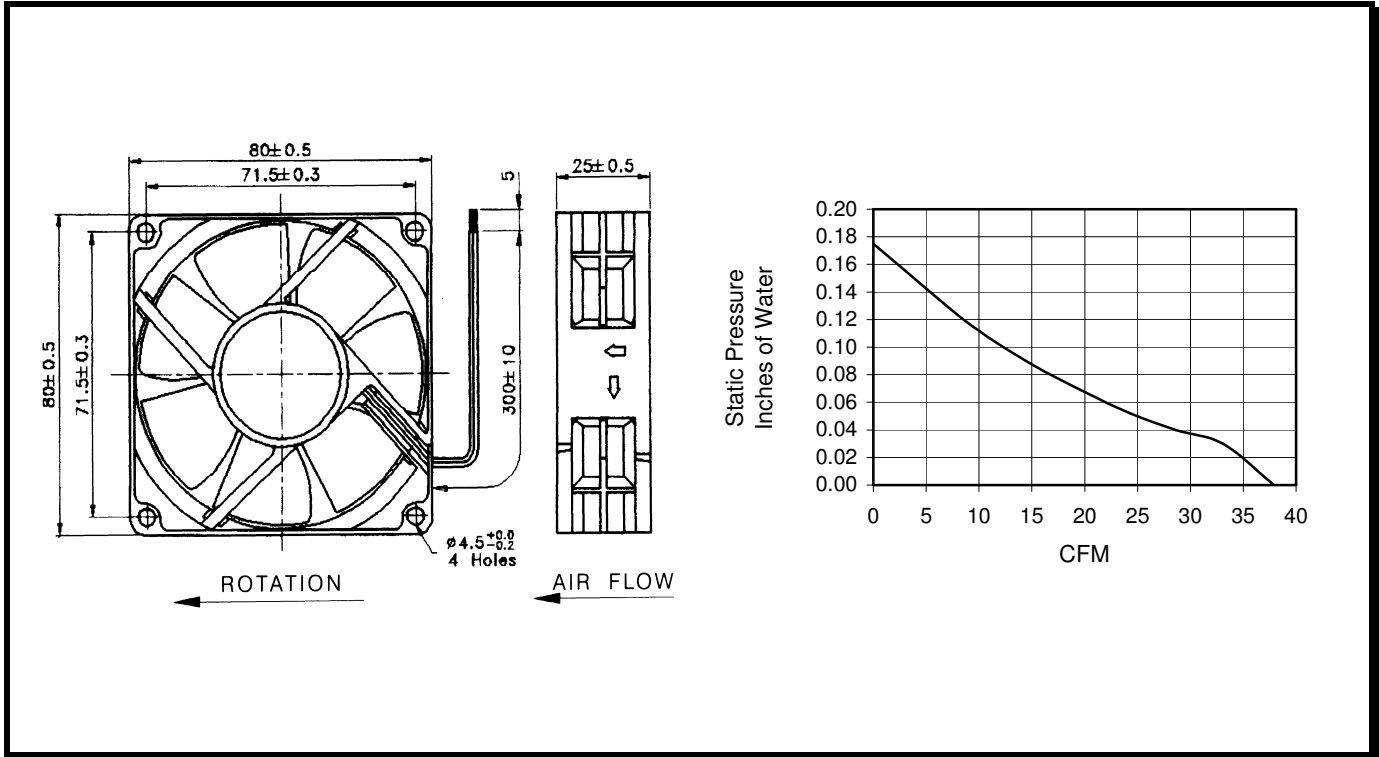
SPECIFICATIONS



Model Number: CR0824HB-A70GL
Part Number: 032744

March 31, 2006

Mechanical Drawing:



Motor:

Nominal Voltage = 24 vdc
Operating Voltage Range = 21.6 – 26.4 vdc
Nominal Running Current = 0.160 amps
Running Power = 3.84 watts
Average Speed = 3010 RPM
Bearings = Ball
Air Flow = 38.0 CFM
Acoustic = 34.4 dBA

Construction:

Venturi: Plastic, Black, UL 94V-0
Propeller: Plastic, Black, UL 94V-0

Life Expectancy:

This fan is designed for continuous duty life of 50,000 hours at 25°C.

Additional Features:

Brushless DC Motor
Locked Rotor Protection
Polarity Protected
Operating Temperature: -10°C to 70°C
Storage Temperature: -40°C to 75°C

Termination:

300 mm Lead-wires, 24AWG, UL 1007
Red - Power (+)
Black - Return (-)

Agency Approvals:

UL, CSA, TUV