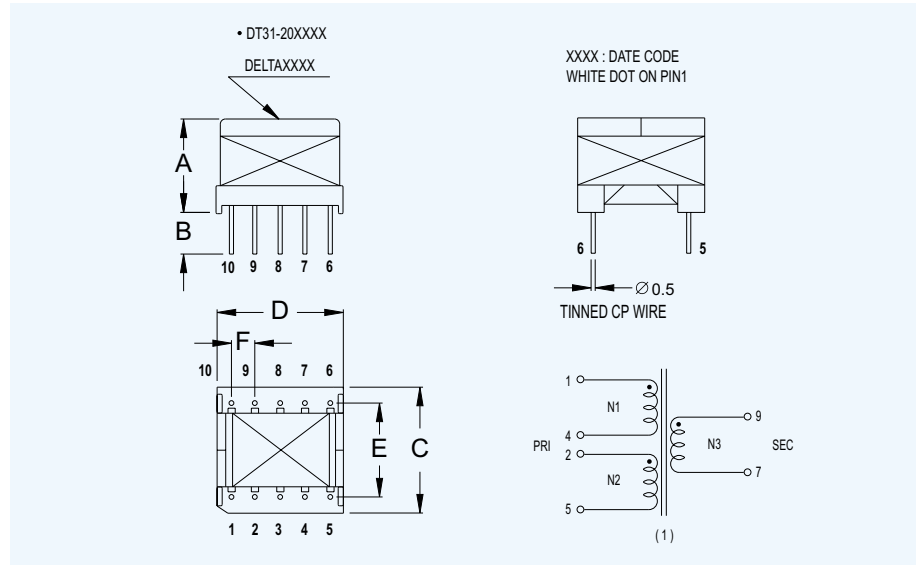




Telecommunication HDSL Transformer Transformers

DT31-2003AT



DIMENSIONS IN mm

A	B	C	D	E	F	G
12.7 MAX.	2.79 MAX.	14.0 MAX.	14.0 MAX.	10.16±0.3	2.54±0.3	

ELECTRICAL CHARACTERISTICS

DT31-2003AS	
T.R	(PRI:SEC): 1.5:1±1% @10KHz 0.1V
L	PRI: 3.24mH ±10% @10KHz 0.1V Idc=160mA
L.K	PRI: 30uH Max. @100KHz 0.1V
D.C.R	PRI: 5.0Ω Max. SEC: 3.0Ω Max.
HI-POT	1875 VAC 2 SEC
C	-----
I.L	-----
L.B	50dB Min. @20KHz~300KHz
FR	-----
R.L	-----
T.H.D	-----
SCHEMATIC	1

DELTA ELECTRONICS, INC.

(TAOYUAN PLANT CPBG) 31-1, SHIEN PAN ROAD, KUEI SAN INDUSTRIAL ZONE, TAOYUAN SHIEN, TAIWAN, R.O.C.

TEL: 886-3-3626301 FAX: 886-3-3618901

http://www.deltaww.com