

DETAILS OF HOLES:  
CAST AS SHOWN, DRILL  
Ø3.2±0.05 X 13.0±0.5 DEEP

DETAIL D  
SCALE 2 : 1

DETAIL E  
SCALE 2 : 1

DETAIL B  
SCALE 2 : 1

DETAIL C  
SCALE 4 : 1

SECTION A-A

SIZE	PLAIN	FLANGED POWDER COATED	NYLON COATED
	E	455-0050	457-0050
E	SEALED	FLANGED	
	456-0050	463-0050	464-0050

Tel No.+44(0)1724273200 Website www.dem-uk.com

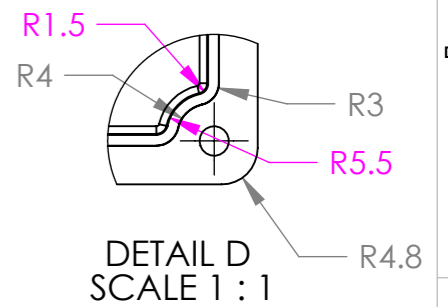
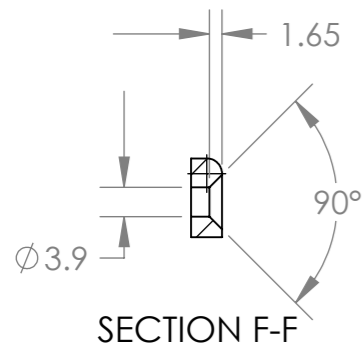
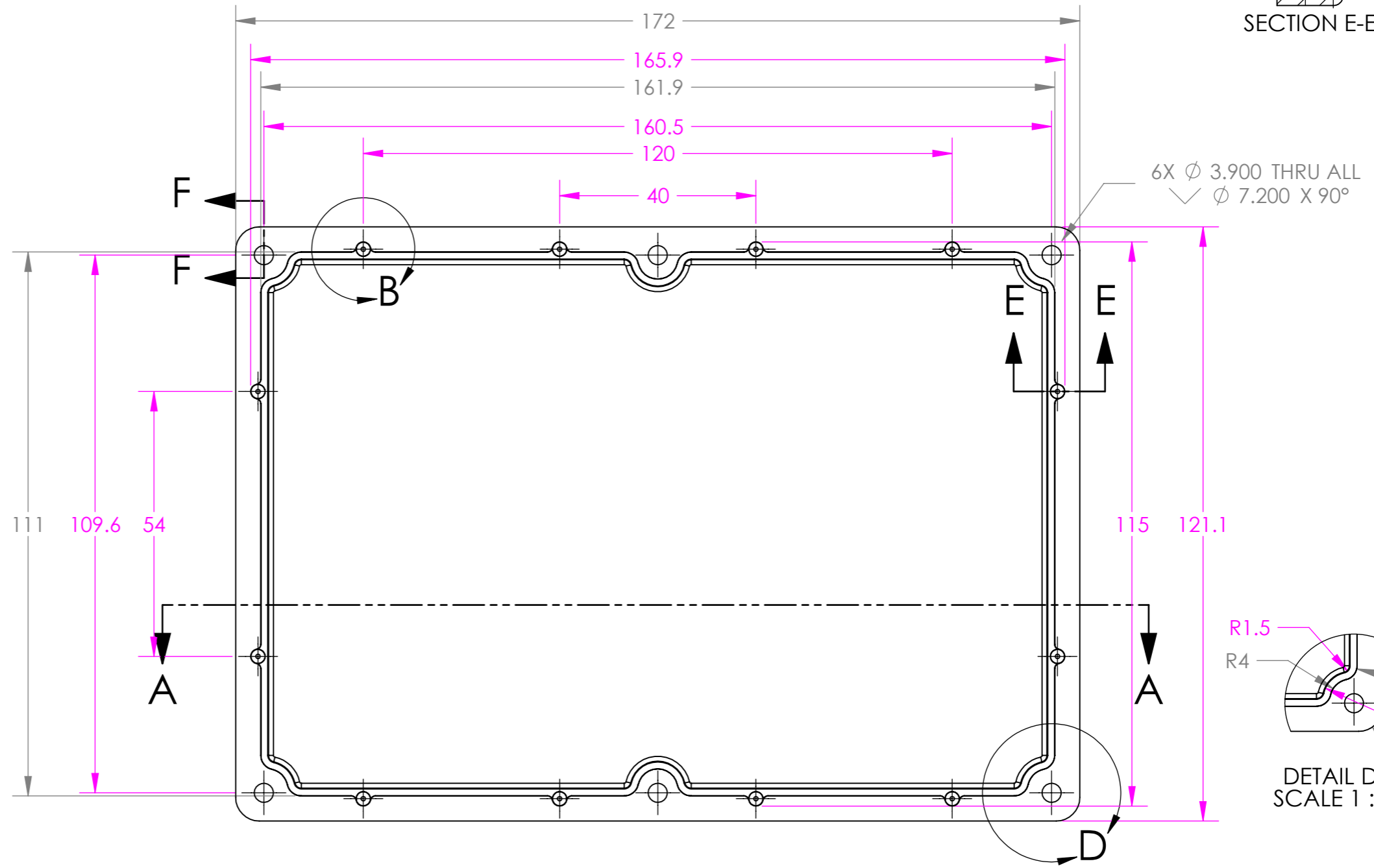
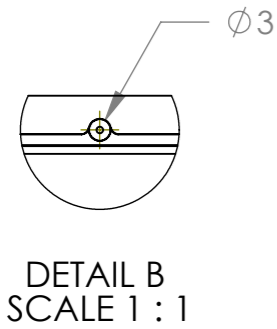
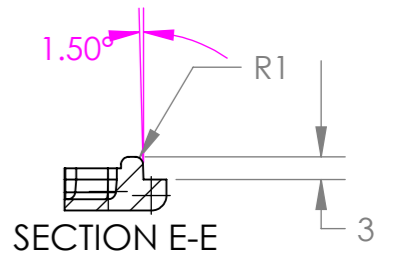
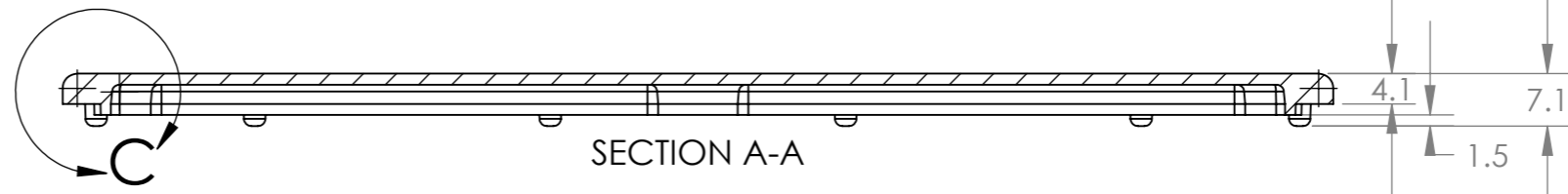
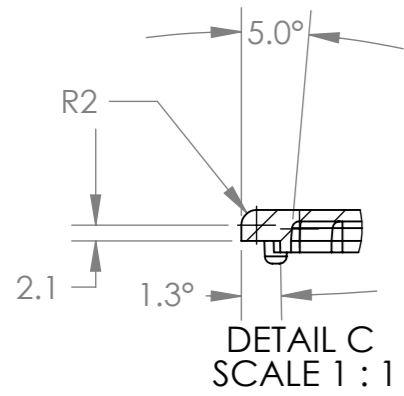


**PROPRIETARY AND CONFIDENTIAL**  
THE INFORMATION CONTAINED IN THIS DRAWING IS THE SOLE PROPERTY OF  
**ALPHA 3 MANUFACTURING.**  
ANY REPRODUCTION IN PART OR AS A WHOLE WITHOUT THE WRITTEN  
PERMISSION OF  
**ALPHA 3 MANUFACTURING** IS PROHIBITED.

**DEM** Manufacturing, Deltron Emcon House  
Hargreaves Way, Sawcliffe Ind. Park,  
Scunthorpe, North Lincolnshire, DN15 8RF, UK

UNLESS OTHERWISE SPECIFIED:  
DIMENSIONS ARE IN MILLIMETRES  
LINEAR TOLERANCE:  
**NO DECIMAL PLACES ±0.5mm**  
**1 DECIMAL PLACE ±0.25mm**  
**2 DECIMAL PLACES ±0.125mm**  
ANGULAR TOLERANCE: ±1°

FINISH	·	DEBURR AND BREAK SHARP EDGES	DRAWN BY B.SILLENC	TITLE PROCUREMENT SPECIFICATION FOR 'E' SIZE FLANGED BOX
	IF IN DOUBT ASK DO NOT SCALE DRAWING		APPROVED BY B.SILLENC	DRAWING NO. E BOX FLANGED
MATERIAL	DieCast Aluminium Alloy	THIRD ANGLE PROJECTION	SHEET 1 OF 1 SCALE 1:1 A3	ISSUE 01 Release



Tel No.+44(0)1724273200 Website www.dem-uk.com



**PROPRIETARY AND CONFIDENTIAL**  
THE INFORMATION CONTAINED IN THIS DRAWING IS THE SOLE PROPERTY OF ALPHA 3 MANUFACTURING.  
ANY REPRODUCTION IN PART OR AS A WHOLE WITHOUT THE WRITTEN PERMISSION OF ALPHA 3 MANUFACTURING IS PROHIBITED.

**DEM** Manufacturing, Deltron Emcon House  
Hargreaves Way, Sawcliffe Ind. Park,  
Scunthorpe, North Lincolnshire, DN15 8RF, UK

UNLESS OTHERWISE SPECIFIED:  
DIMENSIONS ARE IN MILLIMETRES  
LINEAR TOLERANCE:  
**NO DECIMAL PLACES ±0.5mm**  
**1 DECIMAL PLACE ±0.25mm**  
**2 DECIMAL PLACES ±0.125mm**  
ANGULAR TOLERANCE: ±1°

FINISH .  
DEBURR AND BREAK SHARP EDGES  
DRAWN BY B.SILLENCE  
APPROVED BY B.SILLENCE  
THIRD ANGLE PROJECTION  
IF IN DOUBT ASK DO NOT SCALE DRAWING  
MATERIAL DieCast Aluminium Alloy

SHEET 1 OF 1  
SCALE 1:1  
A3

TITLE **PROCUREMENT SPECIFICATION FOR E/F SIZE BOX LID**  
DRAWING NO. **E / F LID**  
ISSUE **04**  
Release

# Mouser Electronics

Authorized Distributor

Click to View Pricing, Inventory, Delivery & Lifecycle Information:

[Deltron:](#)

[456-0050](#) [455-0050](#)