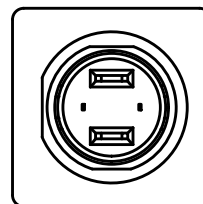
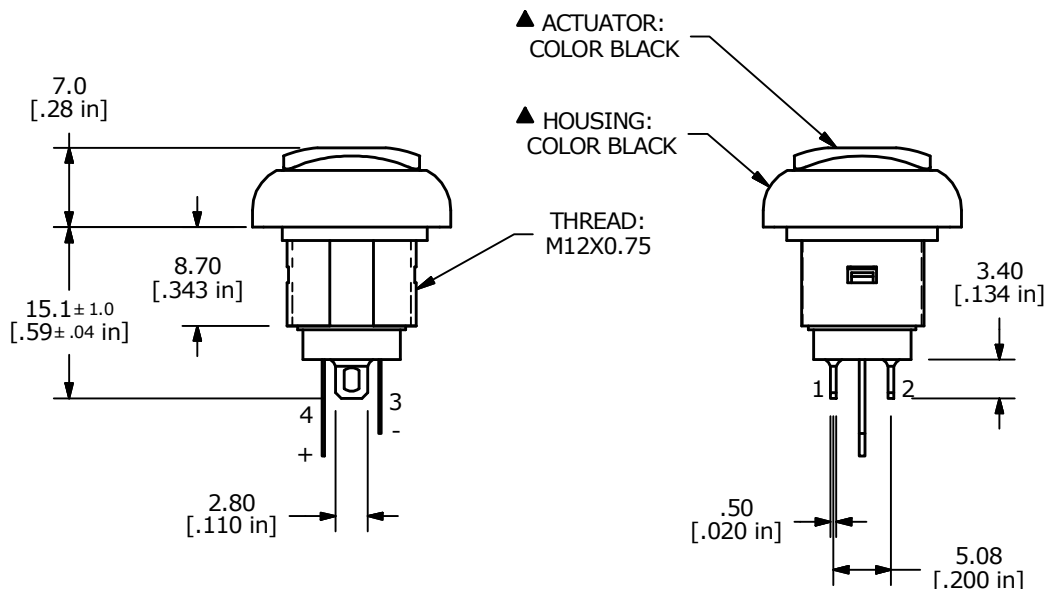


LED PARAMETER	FORWARD CURRENT	FORWARD VOLTAGE @ 20mA	LUMINOUS INTENSITY
UNITS	mA	V	mcd
RED	20	2.0 - 2.5	700

NOTE:

1. ALL DIMENSIONS IN MM [INCH]
2. GENERAL TOLERANCE: X.X=±0.4
X.XX=±0.25
3. TERMINAL NUMBERS FOR REF ONLY
4. CIRCUIT: SPST OFF-MOMENTARY ON
5. CONTACT MATERIAL: Gold OVER SILVER
6. RATING: 500mA @ 48 VAC
200mA @ 50 VDC
200mA @ 250 VAC
7. ELECTRIC LIFE: 500,000 CYCLES AT FULL LOAD
8. CONTACT RESISTANCE: 50 MILLIOHM MAX. (INITIAL)
9. INSULATION RESISTANCE: 1,000 MEGA-OHM MIN. @ 500VDC.
10. DIELECTRIC STRENGTH: 1,500 VAC FOR 1 MINUTE.
11. OPERATING FORCE: 350 gf +/- 150 gf
12. OPERATING TEMPERATURE: -30°C TO +85°C.
13. CONTACT BOUNCE: 10ms MAX.
14. TRAVEL: 1.5±0.25MM
15. PANEL THICKNESS RANGE: 1.5 - 4.0 mm.
16. ▲ DENOTES CRITICAL PARAMETER.
17. 2011/65/EU (ROHS) COMPLIANT
18. MAX TORQUE APPLIED TO MOUNTING NUT: 1.5Nm
19. HARDWARE INCLUDED:
 1. T081101 LOCK WASHER (1)
 2. T081102 HEX NUT (1)
 3. T081103 O-RING (1)
20. SEAL RATING: IP67 AT THE FRONT PANEL



E	22535	UPDATED LED SPECIFICATION CHART	10/6/16	MJR
D	21600	CHANGE SEAL RATING FROM IP65 TO IP67	10/1/14	EBP
REV	PCR NO	DESCRIPTION	DATE	BY

E-SWITCH®				
TITLE RP8400B2M1CEBLKBLKRED				
SCALE	DATE	DR	DWG	REV
3:2	5/4/2011	BMA	ST084003	E

THE INFORMATION CONTAINED IN THIS DOCUMENT IS PROPRIETARY TO E-SWITCH AND IS NOT TO BE COPIED OR TRANSFERRED