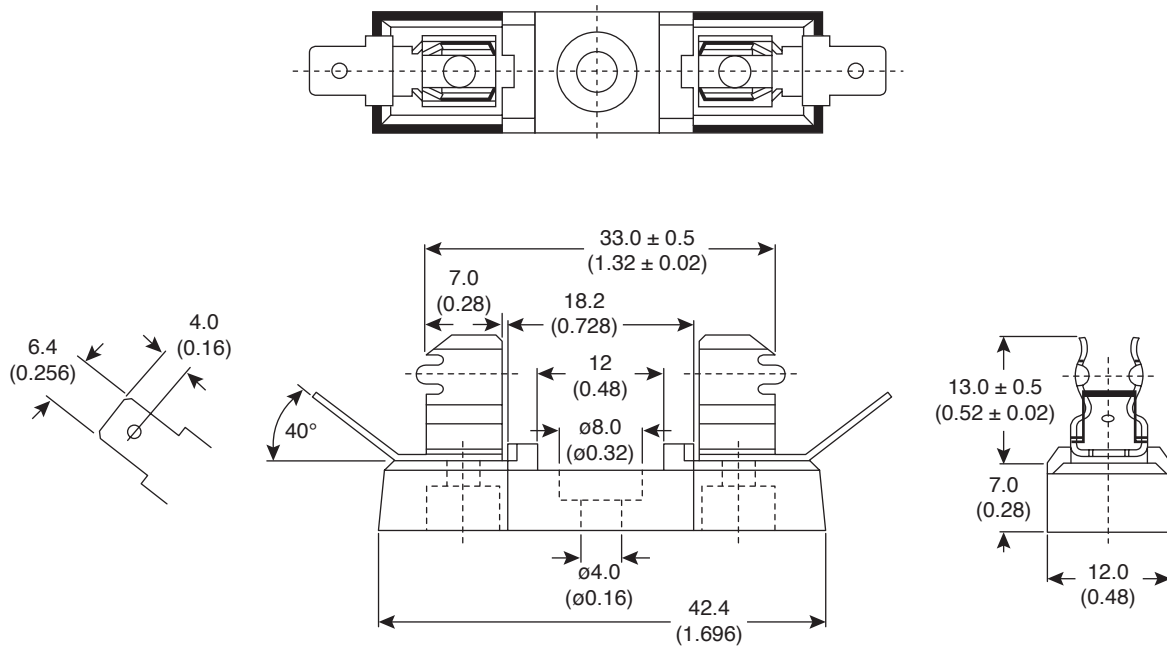


CQ-201NI



DIMENSIONS: mm (In.)

SPECIFICATIONS	
Insertion and extraction force:	1.5 Kg. Min.
Dielectric strength for 60 seconds:	AC 3000V Min.
Suitable rated current:	30 A 250 V
Insulation resistance @ 500V DC:	500mΩ Min.
Temperature rise:	60°C Max.
Voltage drop:	20mV Max.
Body material:	flame retardant nylon with fiber glass

# Mouser Electronics

Authorized Distributor

Click to View Pricing, Inventory, Delivery & Lifecycle Information:

[Eagle Plastic Devices:](#)

[441-EPD201NI](#)