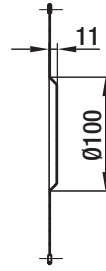
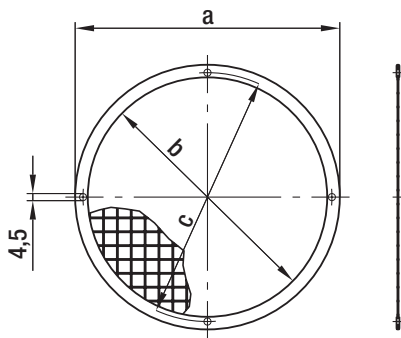


Guard grille



⁽⁴⁾Size 160

- **Material:** Welded grille made of galvanised steel, frame made of tinned sheet iron 0.4 mm thick

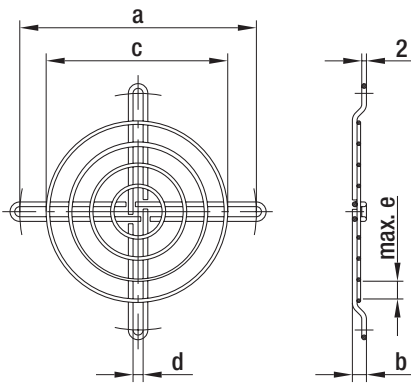
Guard grilles for centrifugal blowers with single inlet

| Part no. | Size | a | b | c |
|--------------|--------------------------|-------|-------|-------|
| 09489-2-4039 | 076 / 085 ⁽³⁾ | 90.0 | 74.0 | 84.0 |
| 09490-2-4039 | 108 | 126.0 | 110.0 | 118.0 |
| 09494-2-4039 | 120 | 140.0 | 124.0 | 132.0 |
| 09492-2-4039 | 140 / 146 | 168.0 | 152.0 | 158.0 |
| 09503-2-4039 | 160 ⁽⁴⁾ | 183.0 | 170.0 | 175.0 |
| 09493-2-4039 | 180 ⁽⁵⁾ | 205.0 | 189.0 | 194.0 |

subject to alterations

⁽³⁾ 3 drilled holes staggered by 120°

⁽⁵⁾ not suitable for G2E180-EH03-01



- **Material:** Steel wire

Guard grilles for centrifugal blowers with single inlet

| Part no. | Size | a | b | c | d | e | Coating |
|--------------|--------------------|-------|------|-------|-----|-----|--|
| 09603-2-4039 | 076 / 085 | 101.0 | 6.0 | 79.0 | 4.3 | 8.0 | plastic coated, silver-metallic gloss |
| 98214-2-4039 | 108 | 120.0 | 3.5 | 88.0 | 4.3 | 8.0 | plastic coated, silver-metallic gloss |
| 25028-2-4039 | 140 / 146 | 162.0 | 8.5 | 139.0 | 4.3 | 8.0 | galvanised, chromatised in blue |
| 17729-2-4039 | 160 | 175.0 | 3.5 | 139.0 | 4.6 | 7.0 | galvanised, chromatised in blue |
| 09526-2-4039 | 180 ⁽⁶⁾ | 194.0 | 39.5 | 164.0 | 4.3 | 8.0 | phosphated, plastic coated in RAL no. 9005 |

subject to alterations

⁽⁶⁾ only suitable for G2E180-EH03-01