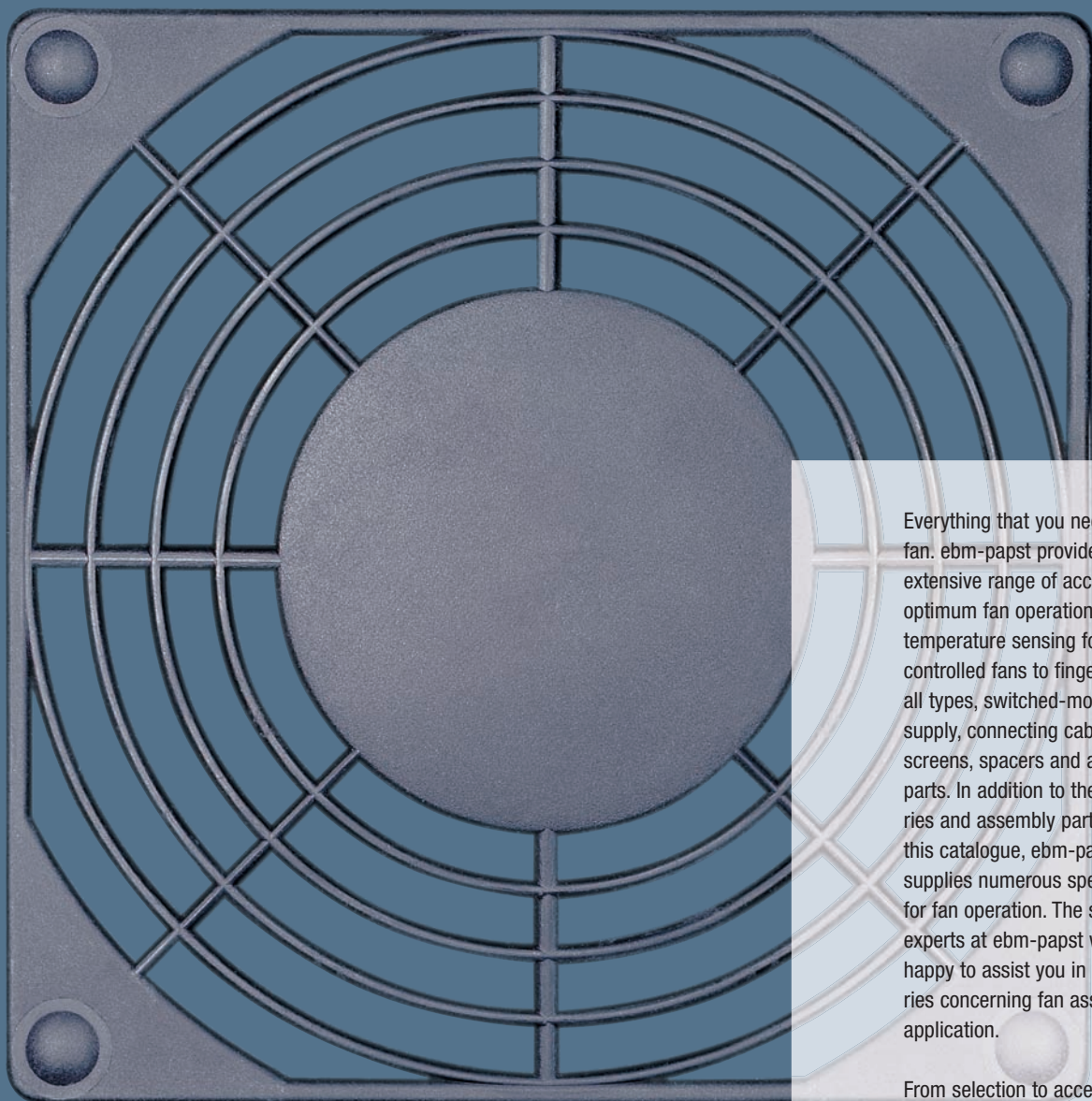


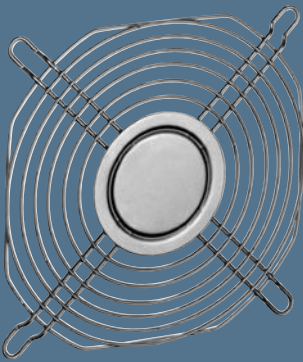
Guard grilles	174
Fan filter guard grilles	180
Inlet nozzles	182
Connection cables / Accessories	183



Everything that you need for your fan. ebm-papst provides an extensive range of accessories for optimum fan operation: From temperature sensing for speed-controlled fans to finger guards of all types, switched-mode power supply, connecting cable, filter, screens, spacers and assembly parts. In addition to the accessories and assembly parts listed in this catalogue, ebm-papst also supplies numerous special parts for fan operation. The sales experts at ebm-papst will be happy to assist you in your enquiries concerning fan assembly and application.

From selection to accessories: Insist on the efficient and reliable service provided by ebm-papst.

Guard grilles



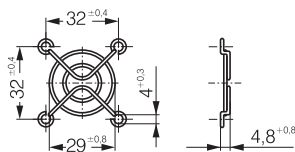
- Guard grille acc. to DIN EN ISO 13857 (previously EN 294), made of galvanised or nickel-plated and passivated steel wire for device fans.
- Additional guard grilles that do not conform to DIN EN ISO 13857 are available on request.
- Our guard grilles are specially designed for use with ebm-papst fans. Their design ensures maximum safety with minimum effect on the operating noise level. Note that when using guard grilles from other manufacturers, compliance with safety-related distances will not always be present.

Fan series	Guard grilles
400	LZ29-1
500	LZ31
600	LZ28-1
3000	LZ23-1
8000	LZ32-4 / LZ22-2
9000	LZ30-4 / LZ 30
4000	LZ30-4 / LZ 30
5100	LZ25

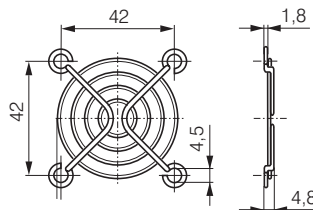
Fan series	Guard grilles
5600	LZ25
5200	LZ35
5300	LZ53
5900	LZ35
7000	LZ36
6300	LZ37
6400	LZ38
2200F	LZ22

Fan series	Guard grilles
DV 6200	LZ37 Intake side
DV 6200	LZ39 Outlet side
DV 6400	LZ38 Intake side
DV 6400	LZ39 Outlet side

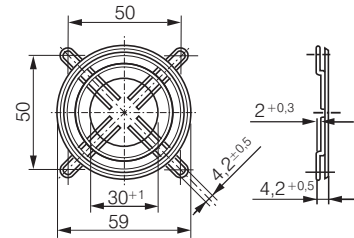
LZ29-1 Fan size 40 x 40



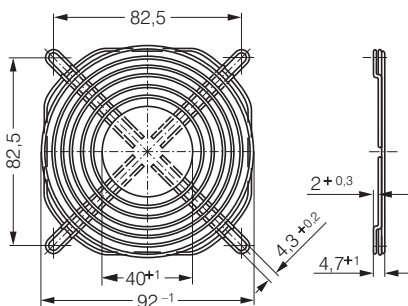
LZ31 Fan size 50 x 50



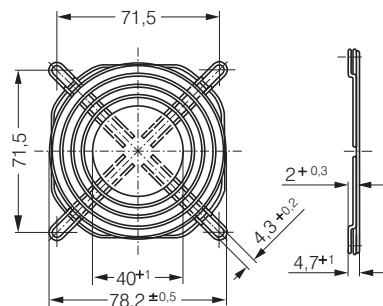
LZ28-1 Fan size 60 x 60



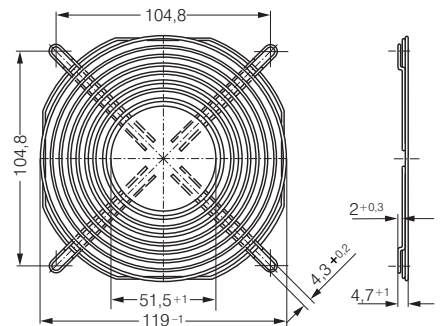
LZ23-1 Fan size 92 x 92



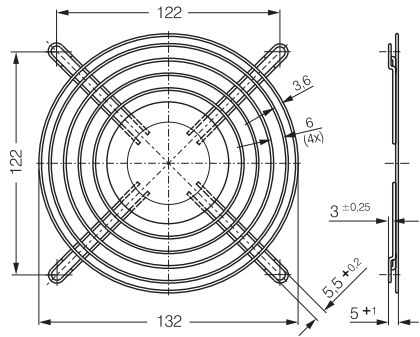
LZ32-4 Fan size 80 x 80



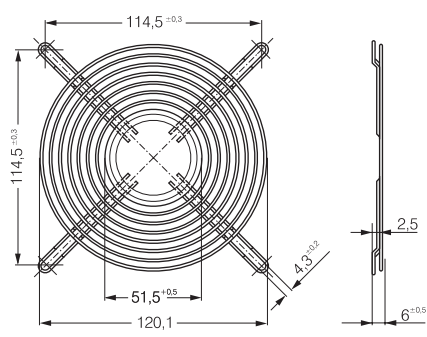
LZ30-4 Fan size 119 x 119



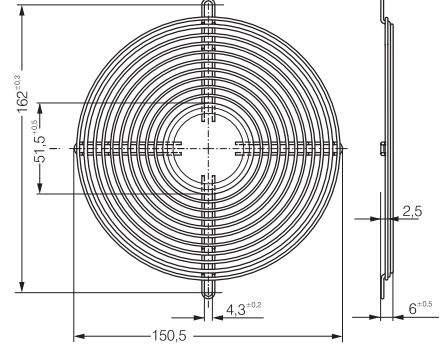
LZ25 Fan size 135 x 135



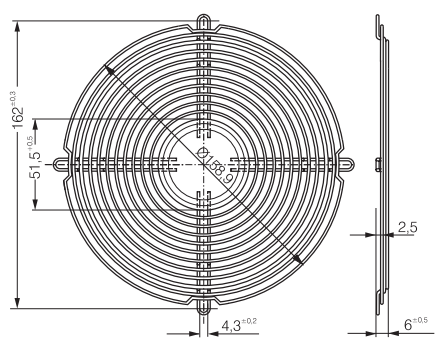
LZ35 Fan size 127 x 127



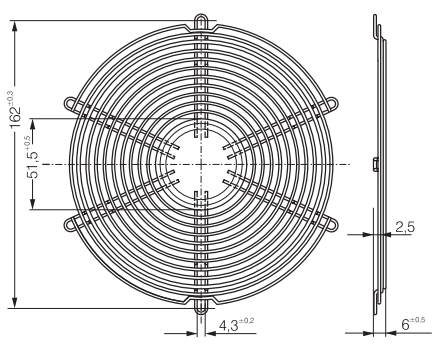
LZ36 Fan size 150 x 172



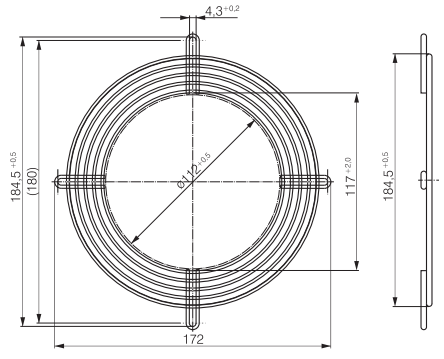
LZ37 Fan size 172 Ø x 51



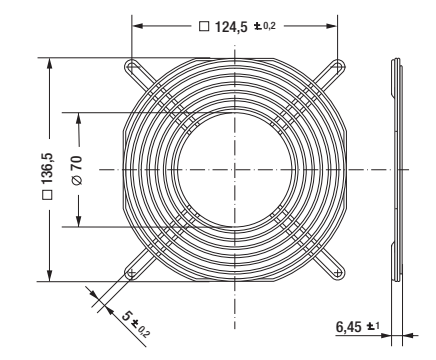
LZ38 Fan size 172 Ø x 51



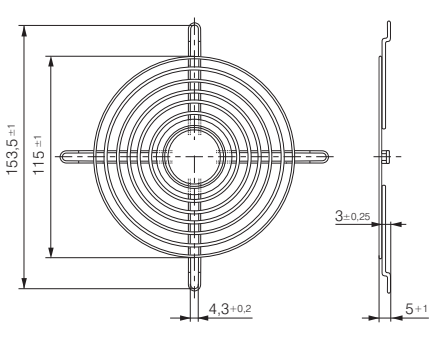
LZ39 Fan size 172 Ø x 51



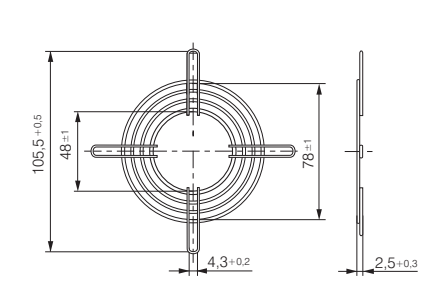
LZ53 Fan size 140 x 140



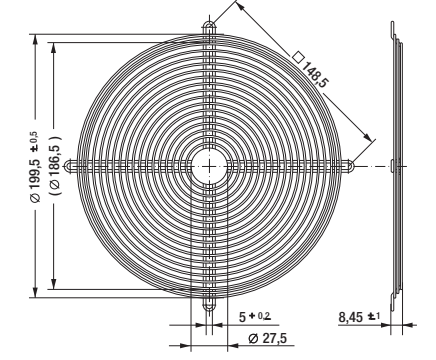
LZ30 Fan size 119 x 119



LZ22-2 Fan size 80 x 80

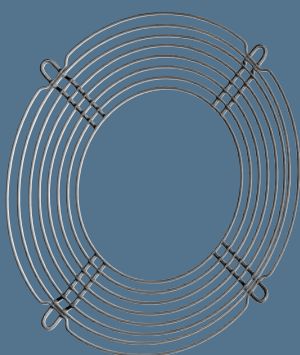


LZ22 Fan size 200 x 51



ACmaxx guard grilles

- Guard grille acc. to DIN EN ISO 13857 (previously EN 294), made of galvanised or nickel-plated and passivated steel wire for device fans.
- The guard grilles shown on this page are designed specially for ACmaxx series fans and are installed on the outlet side.

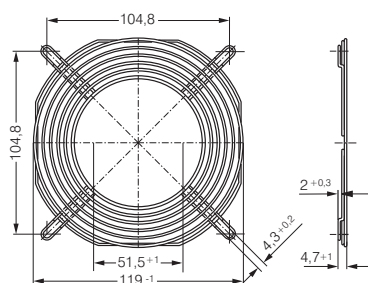


Fan series	Guard grilles
AC 8300	LZ32-4 Intake side s.P.174
AC 8300 H	LZ32-7 Outlet side
AC 3200 J	LZ23-1 Intake side s.P.174
AC 3200 J	LZ23-6 Outlet side
AC 4400 FN	LZ30-4 Intake side s.P.174
AC 4400 FN	LZ30-9 Outlet side
AC 4300	LZ30-4 Intake side s.P.174
AC 4300	LZ30-9 Outlet side
ACi 4400	LZ30 Intake side s.P.175
ACi 4400	LZ30 Outlet side s.P.175

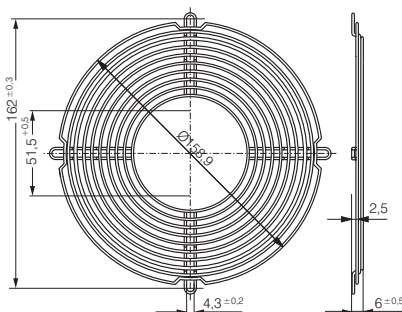
Fan series	Guard grilles
AC 6200 N	LZ37 Intake side s.P.175
AC 6200 N	LZ37-2 Outlet side
AC 6100 N	LZ37 Intake side s.P.175
AC 6100 N	* Outlet side

*Outlet-side grilles on request

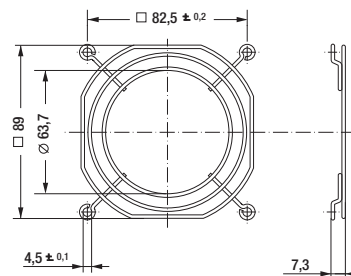
LZ30-9 Fan size 119 X 119



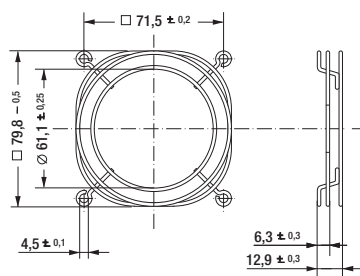
LZ37-2 Fan size 172 Ø X 51



LZ23-6 Fan size 92 x 92

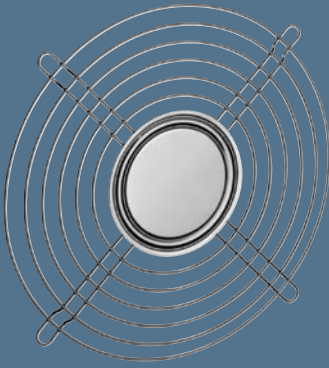


LZ32-7 Fan size 80 x 80



Guard grilles

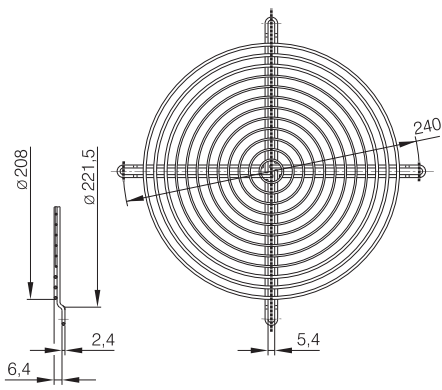
- Steel wire, plastic-coated, silver-metallic gloss.



Fan series	Guard grilles	Fan series	Guard grilles
W1G 200	78128-2-4039	W4S 200	78128-2-4039
W1G 250	09418-2-4039	W2E 250	09418-2-4039
W2E 200	78128-2-4039		

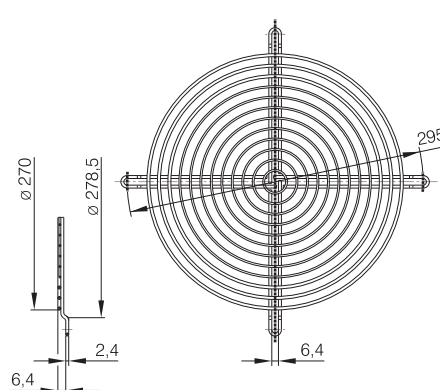
78128-2-4039

Size 200

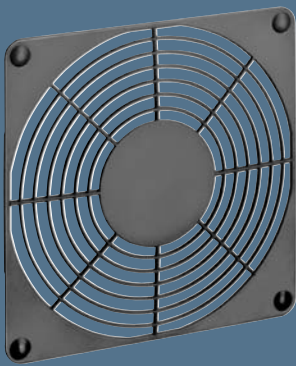


09418-2-4039

Size 250



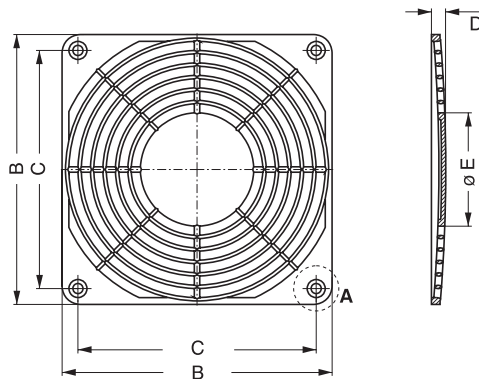
Guard grilles



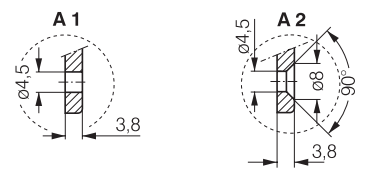
- Guard grille acc. to DIN EN ISO 13857 (previously EN 294), made of fibreglass-reinforced plastic.
- Plastic grilles must not be used for the following models:
8200 JH3 / JH4
3200 JH3 / JH4
4100 NH5 - NH8

Guard grilles	Mounting	B	C	D	E	Guard grilles	Mounting	B	C	D	E
LZ32-2	A1	80 ^{-0,5}	71,5 ^{±0,2}	7,0	34	LZ30-5	A2	119 ^{-0,5}	105 ^{±0,2}	6,5	50
LZ32-3	A3	80 ^{-0,5}	71,5 ^{±0,2}	7,0	34	LZ30-6	A4	119 ^{-0,5}	105 ^{±0,2}	6,5	50
LZ23-2	A1	92,5 ^{-0,5}	82,5 ^{±0,2}	6,5	46	LZ33-1	A2	127 ^{-0,5}	113,5 ^{±0,2}	6,5	50
LZ23-3	A3	92,5 ^{-0,5}	82,5 ^{±0,2}	6,5	46	LZ33-2	A4	127 ^{-0,5}	113,5 ^{±0,2}	6,5	50

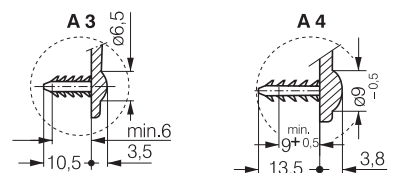
LZ32-2 / LZ32-3	Size 80 x 80
LZ23-2 / LZ23-3	Size 92 x 92
LZ30-5 / LZ30-6	Size 119 x 119
LZ33-1 / LZ33-2	Size 127 x 127



Screw connection

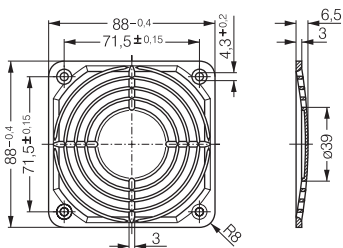


Barbed inserts

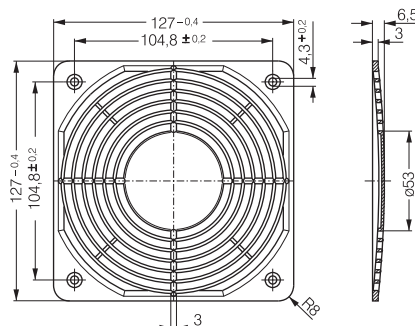


Suitable for bore diameters 4.3 - 4.7 only.

LZ32P Fan size 80 x 80



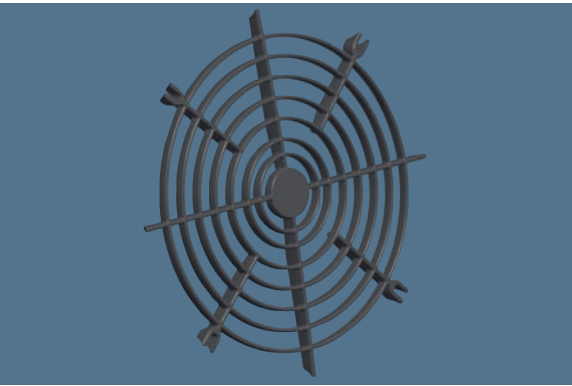
LZ30P Fan size 119 x 119



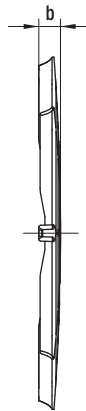
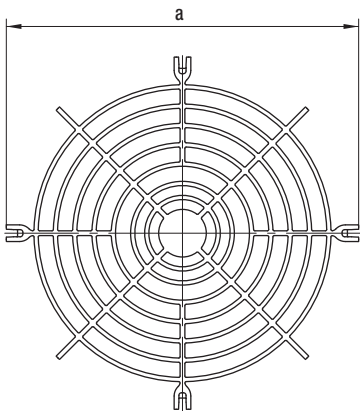
Guard grilles

for compact centrifugal modules

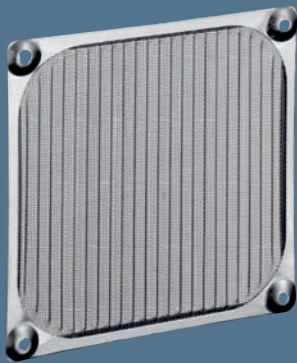
– PA plastic 6, fibreglass-reinforced



Fan series	Guard grilles	a	b
RG 190	LZ46	133	9,0
RG 220	LZ47	166	8,7
RG 225	LZ48	158	8,7



Fan filter guard grilles



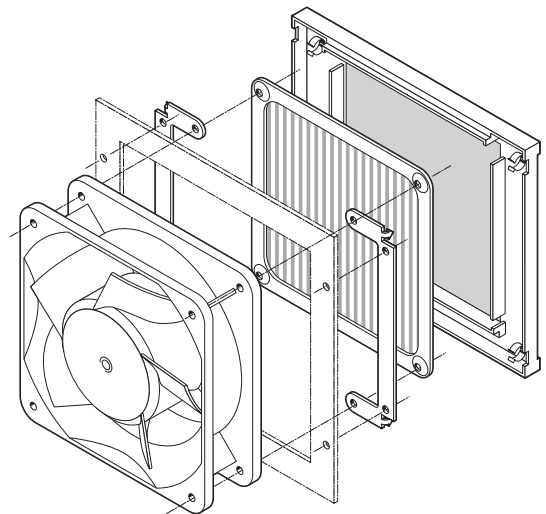
- Filter guard grilles consist of a mounting plate, filter and screen.
- Screen LZ40 N made of black, fibreglass-reinforced plastic with inserted wire netting LZ60.
- Filter LZ60 made of Nirosta stainless steel wire netting.
- Mounting plate LZ40-1 for installation.

Fan series DC

4400 F
4400 FN
4300
4300 N
4400
4200
4100 N

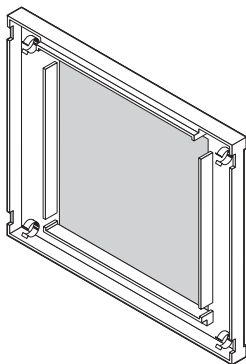
Fan series AC

AC 4300
9900
4000 N
4000 Z



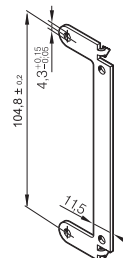
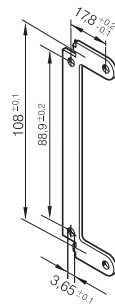
LZ40N

Screen



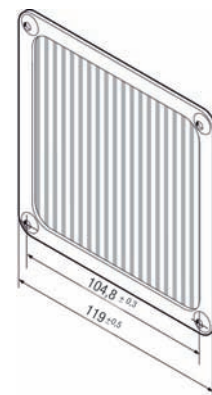
LZ40-1

Bracket



LZ60

Filter



Fan filter guard grilles



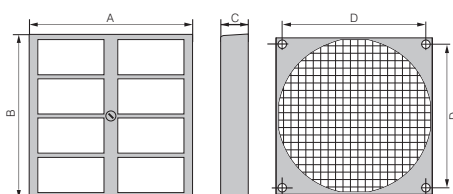
- Filter guard grille suitable for attachment to axial fan series of size 60 mm, 80 mm, 92 mm, 119 mm, \varnothing 172 mm. All filter units fit directly onto the existing installation holes of the fans.
- Filter guard grille consisting of 3 parts: outer grille barrier, inner fastening plate and replaceable filter mat.
- Grille barrier made of moulded polycarbonate (PC), with matted surface.
- Fast and easy exchange of filter mat via a quick release on the grille barrier.
- Fastening plate made of wire netting, with black powder coating.
- Filter mat can be replaced while the fan is running, protection provided by welded wire netting.
- Filter mat made of white, synthetically bonded fibres.

Protection filter	Fan size	A	B	C	D	Replacement filter*
FF60	60 x 60 mm	65	65	13,5	50,0	RF 60
FF80	80 x 80 mm	85	85	14,0	71,5	RF 80
FF92	92 x 92 mm	125	105	17,5	82,5	RF 92
FF119	119 x 119 mm	162	136	18,5	104,5	RF 119
FF172	\varnothing 172 mm	226	190	19,5	162,0	RF 172

* Replacement filters only in packs of 5.

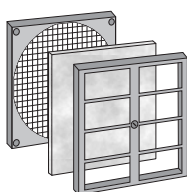
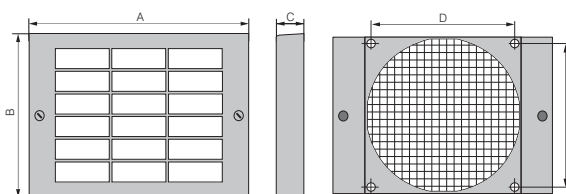
FF60 / FF80

Fan size: 60 x 60 mm
80 x 80 mm



FF92 / FF 119

Fan size: 92 x 92 mm
119 x 119 mm

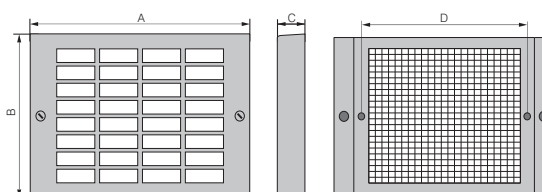


Filter capacity

A fan filter guard filters out up to 75% of dust particles up to a size of 5-10 microns and withstands temperatures of up to 100°C. Flame retardant in accordance with DIN 53438, grade F1. For installed, clean filters, an air flow reduction of 20 – 30% can be assumed.

FF 172

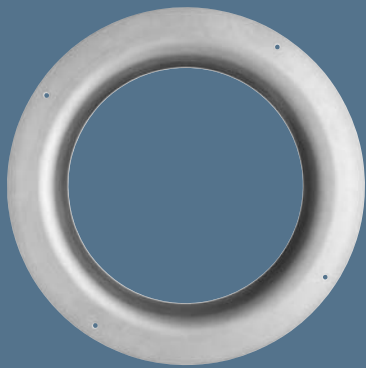
Fan size: \varnothing 172 mm



Inlet nozzles

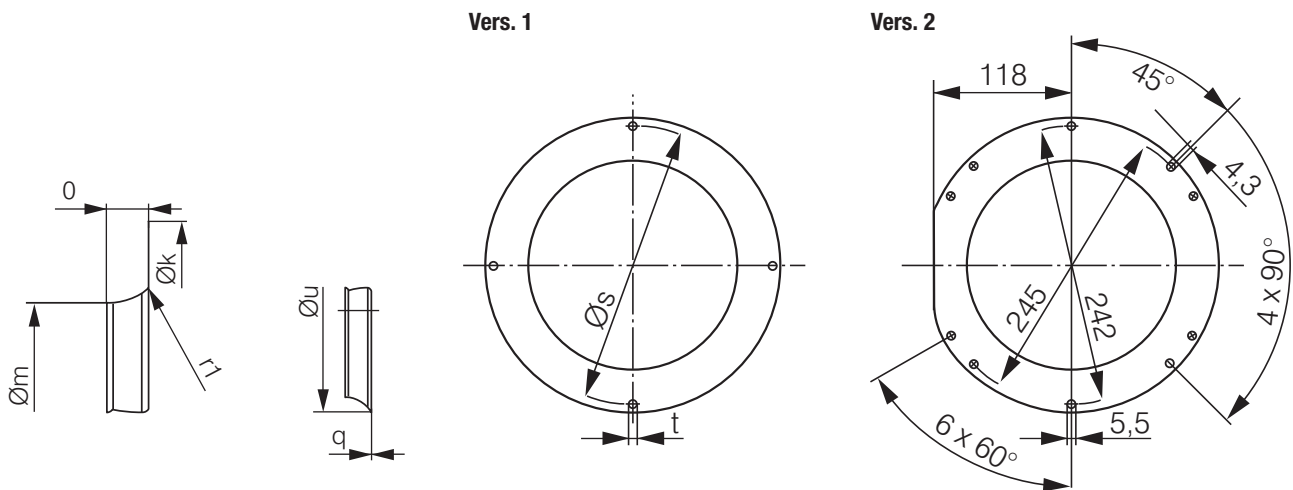
for centrifugal fans

– Material: Sheet steel, galvanised



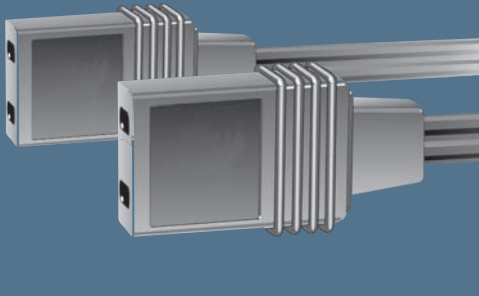
Fan	Vers.	k	m	o	q	r ₁	s	t	u	No.:	
RET 97	(S)	1	116,0	80,0	10,0	0,80	10,0	108,0	3x4,5	–	LZ 1000-097
RER 120	(P)	1	146,0	94,4	18,0	0,80	16,0	134,0	4x4,5	126,0	LZ 1000-120
RER 133	(P)	1	129,0	87,0	13,0	1,00	8,0	118,0	4x4,5	103,0	LZ 1000-133
RER 175 / 190	(P)	1	170,0	125,5	14,0	1,25	10,0	158,0	4x4,5	146,0	LZ 1000-175
RER 220	(P)	2	252,0	155,0	21,0	0,80	22,0	–	–	199,0	LZ 1000-220
RER 225	(P)	1	223,0	146,0	28,0	1,50	25,0	210,0	4x4,5	196,0	LZ 1000-225

(P) = plastic, (S) = sheet steel



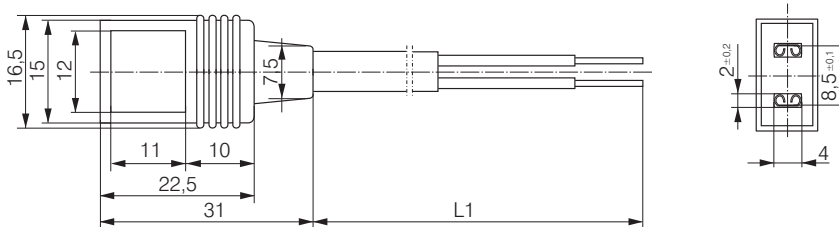
Connector cables

- Connector cable with injection-moulded plug in various lengths.
- Strand ends with core-crimping sleeve, core-end sleeve or tin-plated.
- Straight or angled plug.
- For all types of fan with flat plug 2.8 / 3.0 x 0.5.

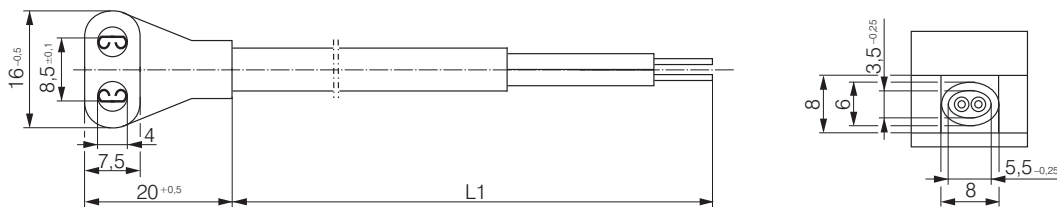


Plug model	L1 (mm)	Leads	Plug	Leads end	Lead colour	Receptacle for tabs	Application
LZ120	610	0,5 mm ²	G	C	black/black	2,8 x 0,5	AC
LZ120-4	2 000	0,5 mm ²	G	A	black/black	2,8 x 0,5	AC
LZ120-5	380	0,5 mm ²	W	B	red/black	2,8 x 0,5	DC
LZ120-6	610	0,5 mm ²	W	B	red/black	2,8 x 0,5	DC
LZ120-11	2 000	0,5 mm ²	G	A	red/black	2,8 x 0,5	DC
LZ120-16	800	0,5 mm ²	G	B	black/black	2,8 x 0,5	AC
LZ120-18	4 000	0,5 mm ²	G	A	black/black	2,8 x 0,5	AC
LZ126	1 000	0,5 mm ²	G	C	black/black	2,8 x 0,5	AC
LZ127	1 600	0,5 mm ²	G	B	black/black	2,8 x 0,5	AC
LZ130-1	610	0,82 mm ²	G	C	black/black	2,8 x 0,5	AC
LZ140	610	0,73 mm ²	G	B	black/black	2,8 x 0,8	AC

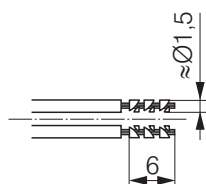
Connector cable Straight plug (G)



Connector cable Angled plug (W)



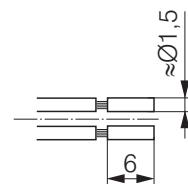
Core crimp sleeve Leads end A



Tin-plated Leads end B

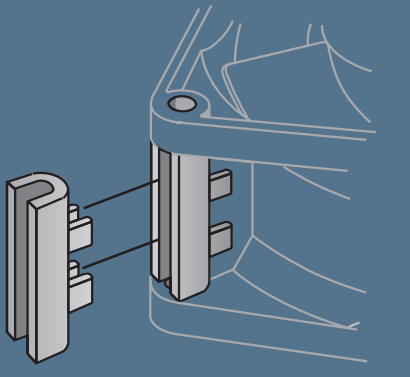


Core end sleeve Leads end C



Accessories

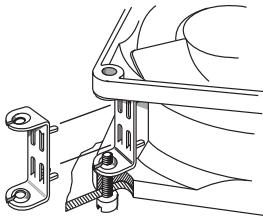
In addition to the accessories and assembly parts listed in this catalogue, ebm-papst also supplies numerous special parts for fans. The sales experts at ebm-papst will be happy to assist you in your enquiries concerning fan assembly and application.



Fan series	Accessories
8300	LZ212 / LZ260
8400 N	LZ261
3300	LZ212 / LZ260
3400 N	LZ261
9000	LZ210
4000	LZ210
4300	LZ212 / LZ260
8300	LZ212

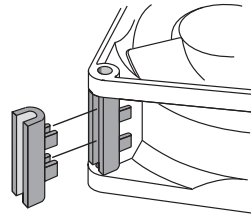
Fan series	Accessories
5100	LZ210
5600	LZ210
5200	LZ210
5900	LZ210
7000	LZ210
VARIOFAN	LZ370

LZ212



Screw clip of stainless steel. For mounting fans with threaded pin 3.5 DIN EN ISO 1478 (7970).

LZ260/LZ261



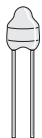
Spacer of fibreglass reinforced plastic. For screw mounting over both fan mounting flanges.

LZ210



Screw clip of hardened steel. For mounting fans with threaded pin 6-32 UNC and/or 3.5 DIN 7970.

LZ370

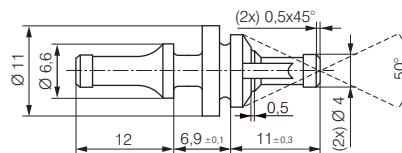


Required performance data:

R_{25}	= 100 K Ω \pm 5% @25°C
B-value	= 4190 \pm 2%
P_{max}	= 0,25 W

Temperature sensor for speed-controlled fan operation. Temperature range 30...50 °C.

LZ550



Rubber anti-vibration mounts for fans with a hole \varnothing of 4.3 ± 0.2 mm and flange thickness of 3 - 5.5 mm. For a carrier plate with a hole \varnothing of 6.5 ± 0.15 mm and plate thickness of 1 - 2 mm.