

# EC2925TS-16.000M TR [Click part number to visit Part Number Details page](#)

## REGULATORY COMPLIANCE (Data Sheet downloaded on May 2, 2018)



◀ Click badges to download compliance docs

Regulatory Compliance standards are subject to updates by governing bodies. Click the badges to download the latest compliance docs for this part number directly from Ecliptek.



## ITEM DESCRIPTION

Quartz Crystal Clock Oscillators XO (SPXO) LVCMOS (CMOS) 1.8Vdc 4 Pad 5.0mm x 7.0mm Ceramic Surface Mount (SMD) 16.000MHz  $\pm 25$ ppm -10°C to +70°C

## ELECTRICAL SPECIFICATIONS

|   |  |
|---|--|
| Nominal Frequency                             | 16.000MHz  |
| Frequency Tolerance/Stability                 | $\pm 25$ ppm Maximum (Inclusive of all conditions: Calibration Tolerance at 25°C, Frequency Stability over the Operating Temperature Range, Supply Voltage Change, Output Load Change, First Year Aging at 25°C, Shock, and Vibration) |
| Aging at 25°C                                 | $\pm 5$ ppm/year Maximum   |
| Operating Temperature Range                   | -10°C to +70°C   |
| Supply Voltage                                | 1.8Vdc $\pm 5\%$   |
| Input Current                                 | 4mA Maximum  |
| Output Voltage Logic High (Voh)               | 90% of Vdd Minimum (IOH = -4mA)  |
| Output Voltage Logic Low (Vol)                | 10% of Vdd Maximum (IOL = +4mA)  |
| Rise/Fall Time                                | 6nSec Maximum (Measured at 10% to 90% of waveform)   |
| Duty Cycle                                    | 50 $\pm 10$ (%) (Measured at 50% of waveform)  |
| Load Drive Capability                         | 15pF Maximum   |
| Output Logic Type                             | CMOS   |
| Pin 1 Connection                              | Tri-State (High Impedance)   |
| Output Control Input Voltage Logic High (Vih) | 90% of Vdd Minimum or No Connect to Enable Output  |
| Output Control Input Voltage Logic Low (Vil)  | 10% of Vdd Maximum to Disable Output (High Impedance)  |
| Standby Current                               | 10 $\mu$ A Maximum (Disabled Output, High Impedance)   |
| RMS Phase Jitter                              | 1pSec Maximum (12kHz to 20MHz offset frequency)  |
| Start Up Time                                 | 10mSec Maximum   |
| Storage Temperature Range                     | -55°C to +125°C  |

## ENVIRONMENTAL & MECHANICAL SPECIFICATIONS

|                              |   |
|------------------------------|---|
| ESD Susceptibility           | MIL-STD-883, Method 3015, Class 1, HBM: 1500V |
| Fine Leak Test               | MIL-STD-883, Method 1014, Condition A         |
| Flammability                 | UL94-V0                                       |
| Gross Leak Test              | MIL-STD-883, Method 1014, Condition C         |
| Mechanical Shock             | MIL-STD-883, Method 2002, Condition B         |
| Moisture Resistance          | MIL-STD-883, Method 1004                      |
| Moisture Sensitivity         | J-STD-020, MSL 1                              |
| Resistance to Soldering Heat | MIL-STD-202, Method 210, Condition K          |
| Resistance to Solvents       | MIL-STD-202, Method 215                       |
| Solderability                | MIL-STD-883, Method 2003                      |
| Temperature Cycling          | MIL-STD-883, Method 1010, Condition B         |
| Vibration                    | MIL-STD-883, Method 2007, Condition A         |



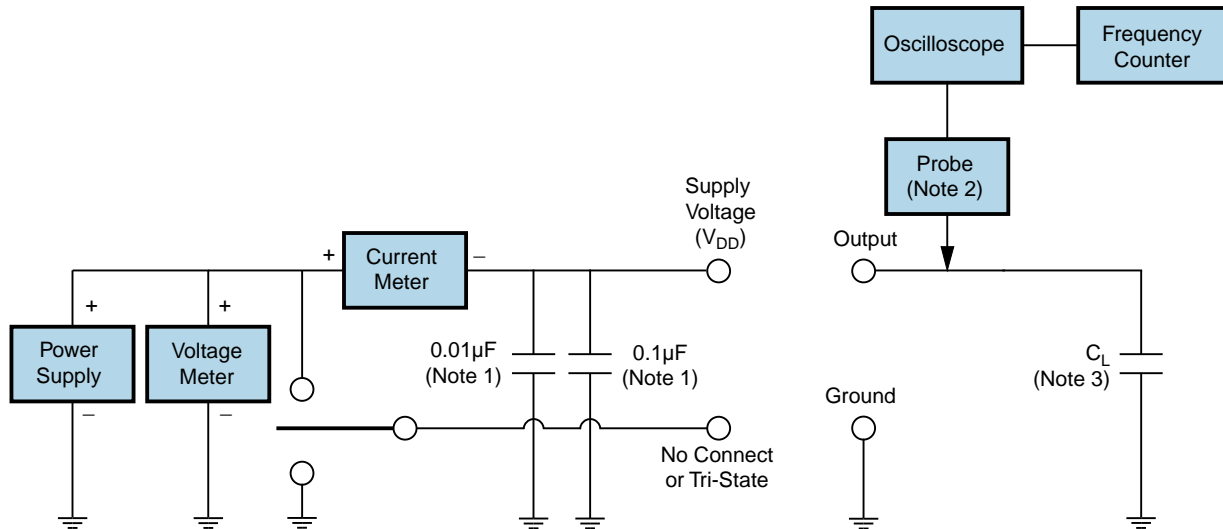
# EC2925TS-16.000M TR [Click part number to visit Part Number Details page](#)

## OUTPUT WAVEFORM & TIMING DIAGRAM



# EC2925TS-16.000M TR [Click part number to visit Part Number Details page](#)

## Test Circuit for CMOS Output



Note 1: An external  $0.1\mu\text{F}$  low frequency tantalum bypass capacitor in parallel with a  $0.01\mu\text{F}$  high frequency ceramic bypass capacitor close to the package ground and  $V_{DD}$  pin is required.

Note 2: A low capacitance ( $<12\text{pF}$ ), 10X attenuation factor, high impedance ( $>10\text{Mohms}$ ), and high bandwidth ( $>300\text{MHz}$ ) passive probe is recommended.

Note 3: Capacitance value  $C_L$  includes sum of all probe and fixture capacitance.

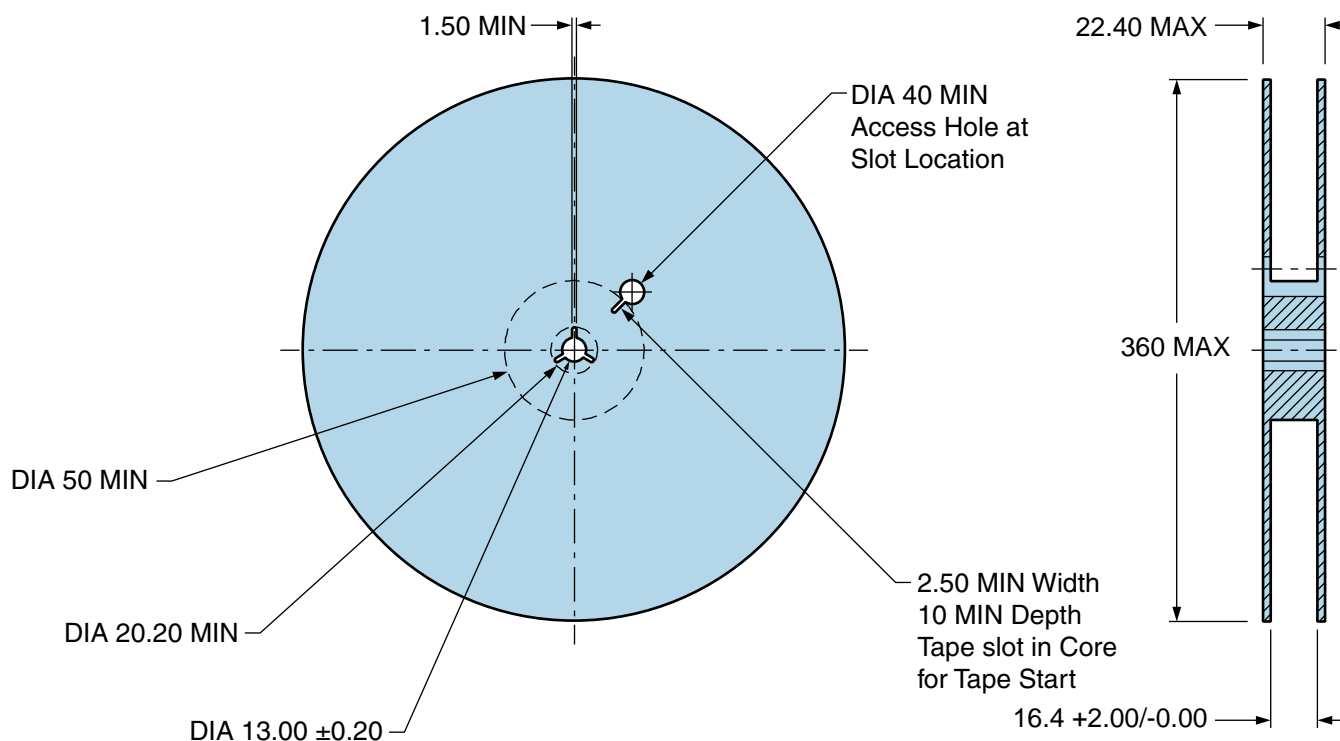
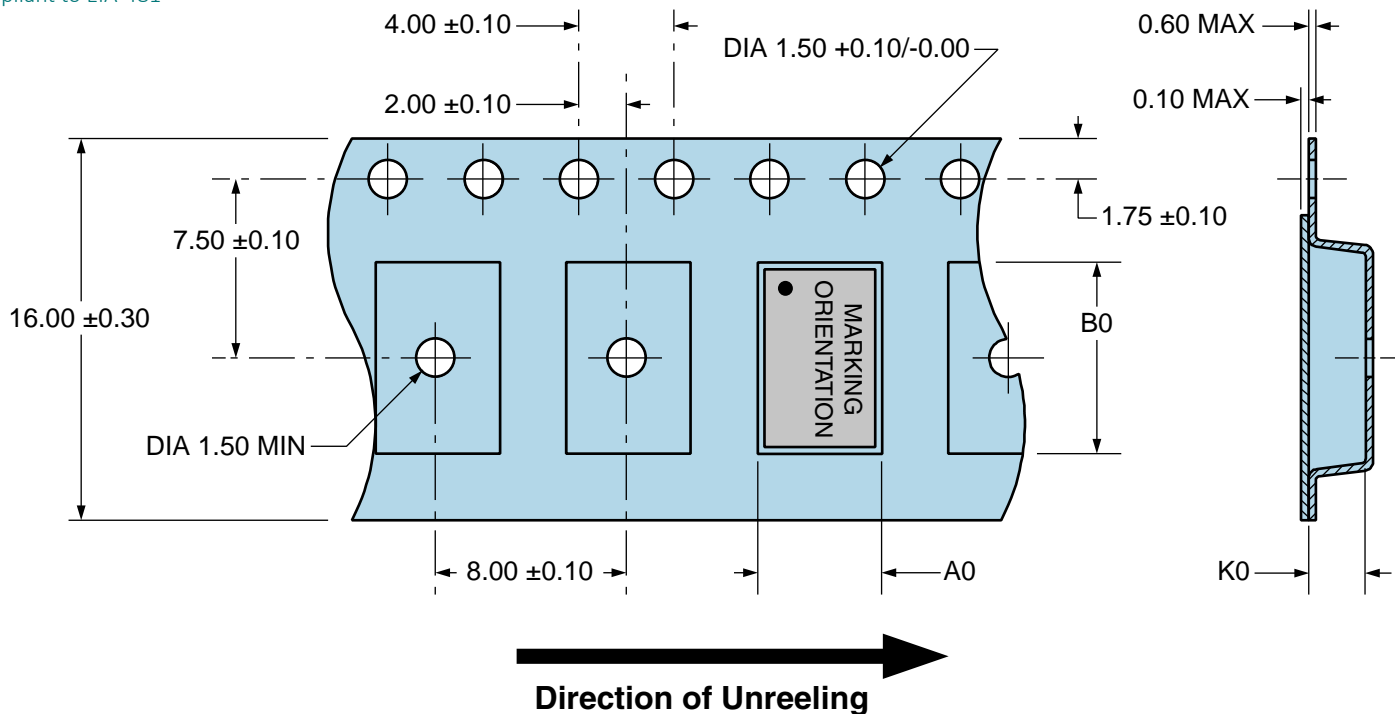
# EC2925TS-16.000M TR

## Tape & Reel Dimensions

Quantity Per Reel: 1,000 units

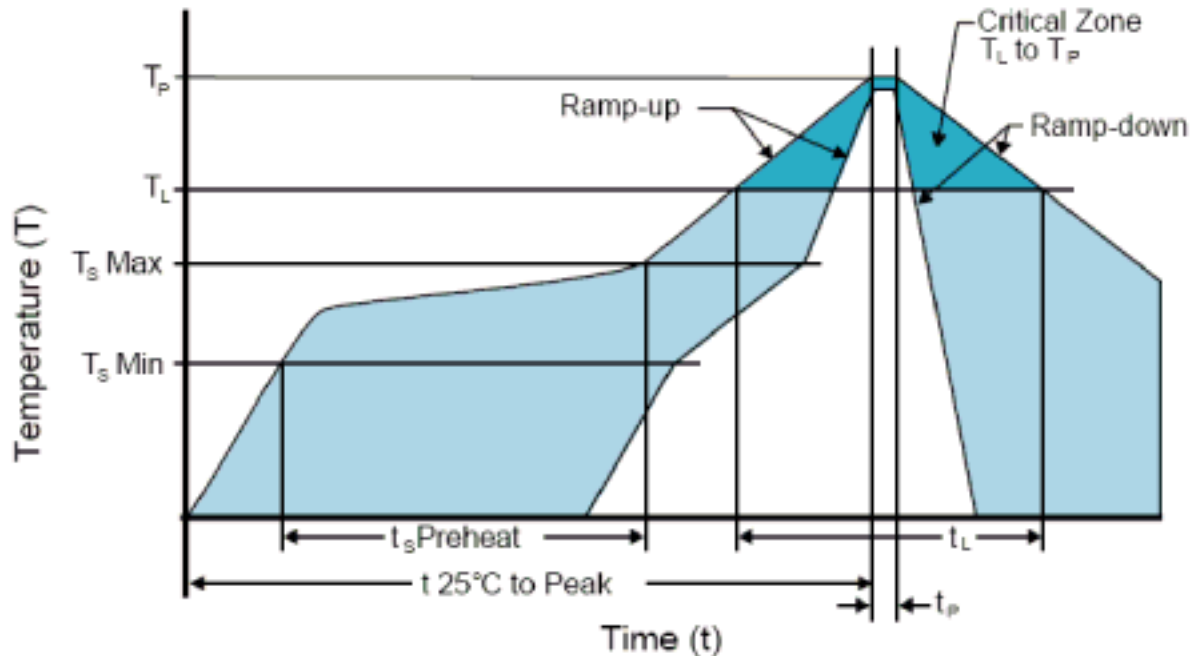
All Dimensions in Millimeters

Compliant to EIA-481



# EC2925TS-16.000M TR [Click part number to visit Part Number Details page](#)

## Recommended Solder Reflow Methods



### High Temperature Infrared/Convection

|  |   |
|--|---|
| <b><math>T_s</math> MAX to <math>T_L</math> (Ramp-up Rate)</b> | 3°C/Second Maximum                                |
| <b>Preheat</b>   |   |
| - Temperature Minimum ( $T_s$ MIN)                             | 150°C   |
| - Temperature Typical ( $T_s$ TYP)                             | 175°C   |
| - Temperature Maximum ( $T_s$ MAX)                             | 200°C   |
| - Time ( $t_s$ MIN)  | 60 - 180 Seconds                                  |
| <b>Ramp-up Rate (<math>T_L</math> to <math>T_P</math>)</b>     | 3°C/Second Maximum                                |
| <b>Time Maintained Above:</b>                                  |   |
| - Temperature ( $T_L$ )  | 217°C   |
| - Time ( $t_L$ )   | 60 - 150 Seconds                                  |
| <b>Peak Temperature (<math>T_P</math>)</b>                     | 260°C Maximum for 10 Seconds Maximum              |
| <b>Target Peak Temperature (<math>T_P</math> Target)</b>       | 250°C +0/-5°C                                     |
| <b>Time within 5°C of actual peak (<math>t_p</math>)</b>       | 20 - 40 Seconds                                   |
| <b>Ramp-down Rate</b>  | 6°C/Second Maximum                                |
| <b>Time 25°C to Peak Temperature (t)</b>                       | 8 Minutes Maximum                                 |
| <b>Moisture Sensitivity Level</b>                              | Level 1   |
| <b>Additional Notes</b>  | Temperatures shown are applied to body of device. |

# EC2925TS-16.000M TR [Click part number to visit Part Number Details page](#)

## Recommended Solder Reflow Methods



### Low Temperature Infrared/Convection 240°C

|  |  |
|--|--|
| <b><math>T_s</math> MAX to <math>T_L</math> (Ramp-up Rate)</b> | 5°C/Second Maximum                                     |
| <b>Preheat</b>   |  |
| - Temperature Minimum ( $T_s$ MIN)                             | N/A  |
| - Temperature Typical ( $T_s$ TYP)                             | 150°C  |
| - Temperature Maximum ( $T_s$ MAX)                             | N/A  |
| - Time ( $t_s$ MIN)  | 60 - 120 Seconds                                       |
| <b>Ramp-up Rate (<math>T_L</math> to <math>T_P</math>)</b>     | 5°C/Second Maximum                                     |
| <b>Time Maintained Above:</b>                                  |  |
| - Temperature ( $T_L$ )  | 150°C  |
| - Time ( $t_L$ )   | 200 Seconds Maximum                                    |
| <b>Peak Temperature (<math>T_P</math>)</b>                     | 240°C Maximum  |
| <b>Target Peak Temperature (<math>T_P</math> Target)</b>       | 240°C Maximum 2 Times / 230°C Maximum 1 Time           |
| <b>Time within 5°C of actual peak (<math>t_p</math>)</b>       | 10 Seconds Maximum 2 Times / 80 Seconds Maximum 1 Time |
| <b>Ramp-down Rate</b>  | 5°C/Second Maximum                                     |
| <b>Time 25°C to Peak Temperature (t)</b>                       | N/A  |
| <b>Moisture Sensitivity Level</b>                              | Level 1  |
| <b>Additional Notes</b>  | Temperatures shown are applied to body of device.      |

### Low Temperature Manual Soldering

185°C Maximum for 10 Seconds Maximum, 2 times Maximum. (Temperatures shown are applied to body of device.)

### High Temperature Manual Soldering

260°C Maximum for 5 Seconds Maximum, 2 times Maximum. (Temperatures shown are applied to body of device.)