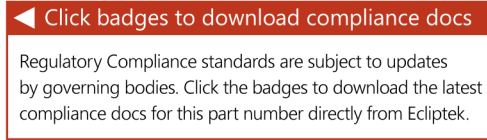


EV34C4A3A1-6.400M TR [Click part number to visit Part Number Details page](#)

REGULATORY COMPLIANCE (Data Sheet downloaded on Nov 27, 2017)



ITEM DESCRIPTION

Voltage Controlled Quartz Crystal Clock Oscillators VCXO LVCMOS (CMOS) 2.5Vdc 6 Pad 3.2mm x 5.0mm Ceramic Surface Mount (SMD) 6.400MHz ± 50 ppm Maximum 0°C to +70°C ± 50 ppm Minimum 10% Typical, 20% Maximum

ELECTRICAL SPECIFICATIONS

| | |
|---------------------------------------|--|
| Nominal Frequency | 6.400MHz |
| Frequency Tolerance/Stability | ± 50 ppm Maximum (Inclusive of all conditions: Calibration Tolerance at 25°C, Frequency Stability over the Operating Temperature Range, Supply Voltage Change, Output Load Change, Shock, and Vibration.) |
| Aging at 25°C | ± 2 ppm/First Year Typical, ± 10 ppm/10 Years Maximum |
| Operating Temperature Range | 0°C to +70°C |
| Supply Voltage | 2.5Vdc $\pm 5\%$ |
| Input Current | 15mA Maximum |
| Output Voltage Logic High (Voh) | 90% of Vdd Minimum (IOH = -4mA) |
| Output Voltage Logic Low (Vol) | 10% of Vdd Maximum (IOL = +4mA) |
| Rise/Fall Time | 5nSec Maximum (Measured at 20% to 80% of Waveform) |
| Duty Cycle | 50 ± 10 (%) (Measured at 50% of Waveform) |
| Load Drive Capability | 15pF Maximum |
| Output Logic Type | CMOS |
| Absolute Pull Range | ± 50 ppm Minimum (Inclusive of all conditions: Calibration Tolerance at 25°C, Frequency Stability over the Operating Temperature Range, Supply Voltage Change, Output Load Change, Shock, Vibration, and Aging over the Control Voltage (Vc).) |
| Control Voltage | 0.2Vdc to 2.3Vdc (Test Condition for APR) |
| Control Voltage Range | 0.0Vdc to Vdd |
| Linearity | 10% Typical, 20% Maximum |
| Transfer Function | Positive Transfer Characteristic |
| Modulation Bandwidth | 10kHz Minimum (Measured at -3dB, Vc = 1.25Vdc) |
| Input Impedance | 50kOhms Minimum |
| Input Leakage Current | 10 μ A Maximum |
| Phase Noise | All Values are Typical -65dBc/Hz at offset of 10Hz -95dBc/Hz at offset of 100Hz -120dBc/Hz at offset of 1kHz -142dBc/Hz at offset of 10kHz -152dBc/Hz at offset of 100kHz -154dBc/Hz at offset of 1MHz |
| Tri-State Input Voltage (Vih and Vil) | 90% of Vdd Minimum or No Connect to Enable Output, 10% of Vdd Maximum to Disable Output (High Impedance) |
| RMS Phase Jitter | 1pSec Maximum (Fj = 12kHz to 20MHz; Random) |
| Start Up Time | 10mSec Maximum |
| Storage Temperature Range | -55°C to +125°C |

ENVIRONMENTAL & MECHANICAL SPECIFICATIONS

| | |
|--------------------|---|
| ESD Susceptibility | MIL-STD-883, Method 3015, Class 1, HBM: 1500V |
| Fine Leak Test | MIL-STD-883, Method 1014, Condition A |
| Flammability | UL94-V0 |
| Gross Leak Test | MIL-STD-883, Method 1014, Condition C |
| Mechanical Shock | MIL-STD-883, Method 2002, Condition B |

EV34C4A3A1-6.400M TR [Click part number to visit Part Number Details page](#)**ENVIRONMENTAL & MECHANICAL SPECIFICATIONS CONTINUED**

| | |
|-------------------------------------|---------------------------------------|
| Moisture Resistance | MIL-STD-883, Method 1004 |
| Moisture Sensitivity | J-STD-020, MSL 1 |
| Resistance to Soldering Heat | MIL-STD-202, Method 210, Condition K |
| Resistance to Solvents | MIL-STD-202, Method 215 |
| Solderability | MIL-STD-883, Method 2003 |
| Temperature Cycling | MIL-STD-883, Method 1010, Condition B |
| Vibration | MIL-STD-883, Method 2007, Condition A |

EV34C4A3A1-6.400M TR [Click part number to visit Part Number Details page](#)

MECHANICAL DIMENSIONS (all dimensions in millimeters)



| PIN | CONNECTION |
|-----|-----------------|
| 1 | Control Voltage |
| 2 | No Connect |
| 3 | Case/Ground |
| 4 | Output |
| 5 | Tri-State |
| 6 | Supply Voltage |

| LINE | MARKING |
|------|--|
| 1 | E6.4000 <i>E=Ecliptek Designator</i> |
| 2 | XXXXX <i>XXXXX=Ecliptek Manufacturing Identifier</i> |

Suggested Solder Pad Layout

All Dimensions in Millimeters



All Tolerances are ± 0.1

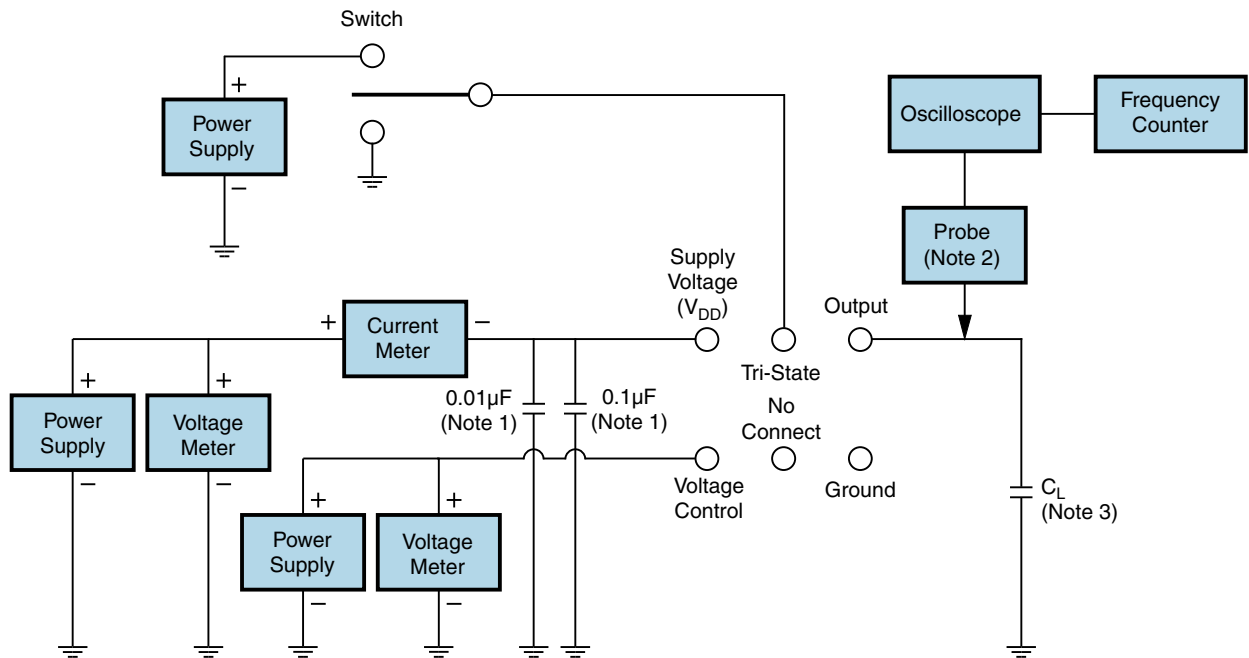
EV34C4A3A1-6.400M TR [Click part number to visit Part Number Details page](#)

OUTPUT WAVEFORM & TIMING DIAGRAM



EV34C4A3A1-6.400M TR [Click part number to visit Part Number Details page](#)

Test Circuit for CMOS Output



Note 1: An external 0.01µF ceramic bypass capacitor in parallel with a 0.1µF high frequency ceramic bypass capacitor close (less than 2mm) to the package ground and supply voltage pin is required.

Note 2: A low capacitance (<12pF), 10X attenuation factor, high impedance (>10Mohms), and high bandwidth (>300MHz) passive probe is recommended.

Note 3: Capacitance value C_L includes sum of all probe and fixture capacitance.

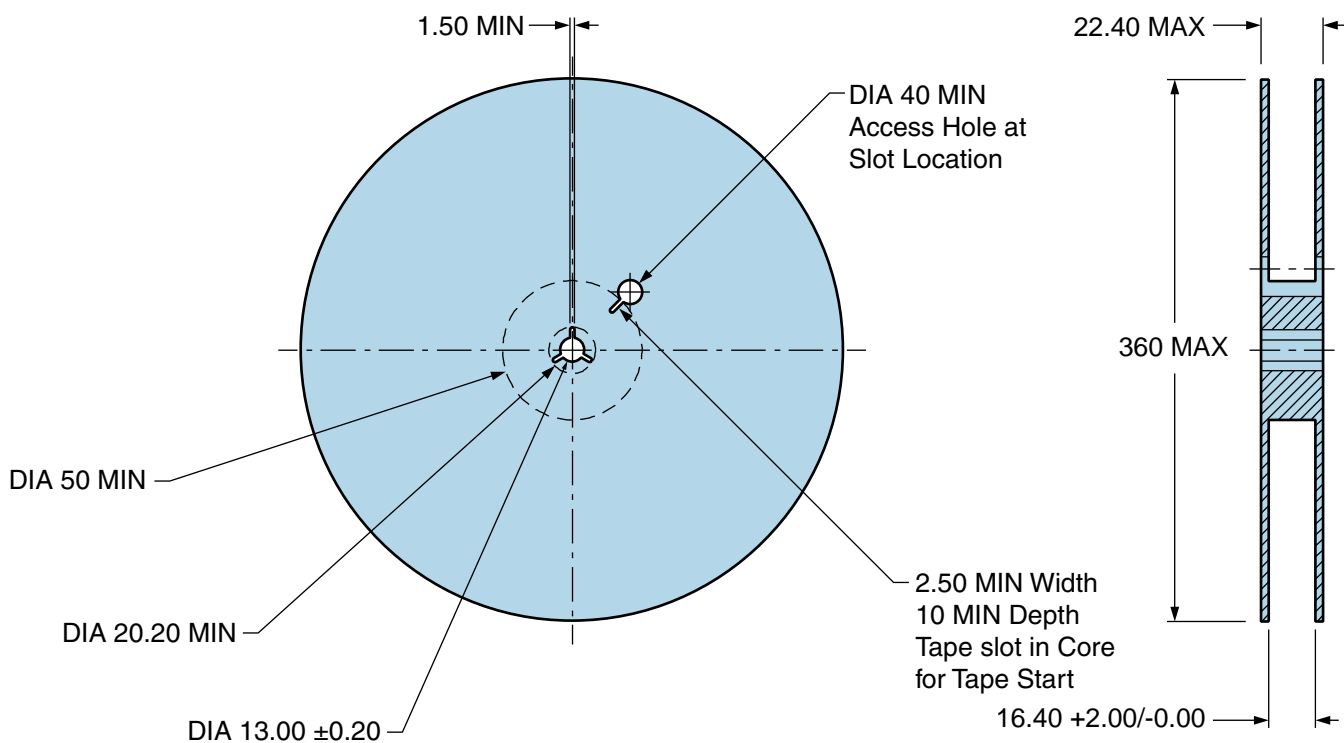
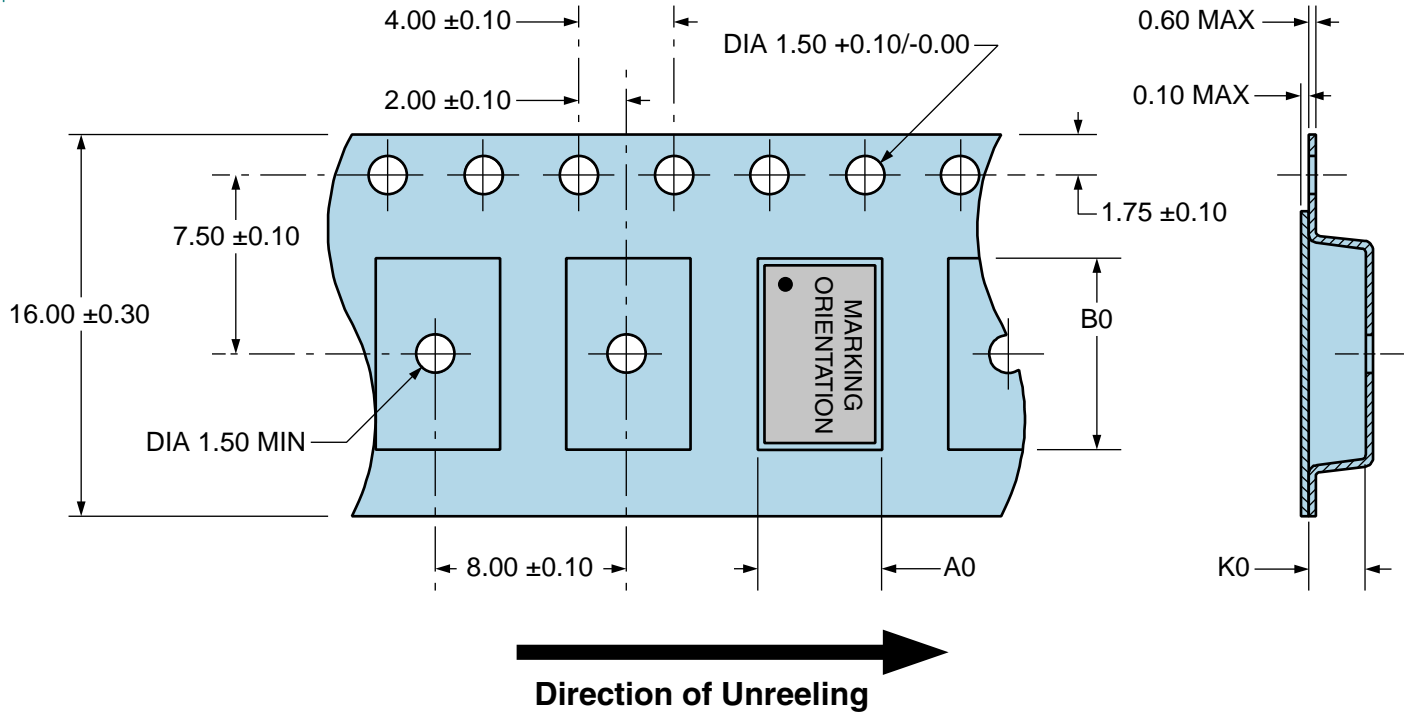
EV34C4A3A1-6.400M TR

Tape & Reel Dimensions

Quantity Per Reel: 1,000 units

All Dimensions in Millimeters

Compliant to EIA-481



EV34C4A3A1-6.400M TR [Click part number to visit Part Number Details page](#)

Recommended Solder Reflow Methods



High Temperature Infrared/Convection

| | |
|--|--------------------------------------|
| T_S MAX to T_L (Ramp-up Rate) | 3°C/Second Maximum |
| Preheat | |
| - Temperature Minimum (T_S MIN) | 150°C |
| - Temperature Typical (T_S TYP) | 175°C |
| - Temperature Maximum (T_S MAX) | 200°C |
| - Time (t_s MIN) | 60 - 180 Seconds |
| Ramp-up Rate (T_L to T_P) | 3°C/Second Maximum |
| Time Maintained Above: | |
| - Temperature (T_L) | 217°C |
| - Time (t_L) | 60 - 150 Seconds |
| Peak Temperature (T_P) | 260°C Maximum for 10 Seconds Maximum |
| Target Peak Temperature (T_P Target) | 250°C +0/-5°C |
| Time within 5°C of actual peak (t_p) | 20 - 40 Seconds |
| Ramp-down Rate | 6°C/Second Maximum |
| Time 25°C to Peak Temperature (t) | 8 Minutes Maximum |
| Moisture Sensitivity Level | Level 1 |

EV34C4A3A1-6.400M TR [Click part number to visit Part Number Details page](#)

Recommended Solder Reflow Methods



Low Temperature Infrared/Convection 240°C

| | |
|--|--|
| Ts MAX to Tl (Ramp-up Rate) | 5°C/Second Maximum |
| Preheat | |
| - Temperature Minimum (Ts MIN) | N/A |
| - Temperature Typical (Ts TYP) | 150°C |
| - Temperature Maximum (Ts MAX) | N/A |
| - Time (ts MIN) | 60 - 120 Seconds |
| Ramp-up Rate (Tl to Tp) | 5°C/Second Maximum |
| Time Maintained Above: | |
| - Temperature (Tl) | 150°C |
| - Time (tL) | 200 Seconds Maximum |
| Peak Temperature (Tp) | 240°C Maximum |
| Target Peak Temperature (Tp Target) | 240°C Maximum 2 Times / 230°C Maximum 1 Time |
| Time within 5°C of actual peak (tp) | 10 Seconds Maximum 2 Times / 80 Seconds Maximum 1 Time |
| Ramp-down Rate | 5°C/Second Maximum |
| Time 25°C to Peak Temperature (t) | N/A |
| Moisture Sensitivity Level | Level 1 |

Low Temperature Manual Soldering

185°C Maximum for 10 Seconds Maximum, 2 times Maximum.

High Temperature Manual Soldering

260°C Maximum for 5 Seconds Maximum, 2 times Maximum.