

Ceramic Seam Sealed SMD Crystal



Model: FD

RoHS Compliant / Pb Free

Rev. 2/21/2014

http://www.foxonline.com/need_a_sample.htm



FEATURES

- High Frequency Range
- Fundamental to 218 MHz
- Inverted Mesa: 50-218 MHz
- Tape and Reel (1,000 pcs. STD)

OPTIONS

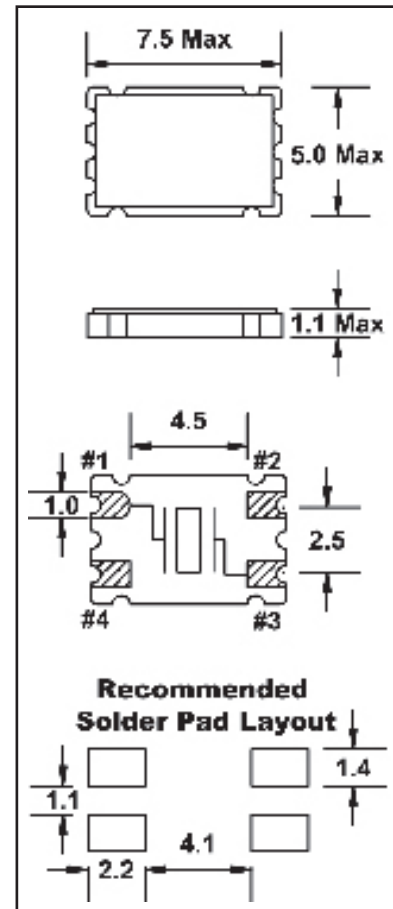
- Tolerances to 5 PPM
- Stabilities to 3 PPM
- Temperatures to -40°C ~ +85°C

| PART NUMBER | | |
|---------------------|--------------|-----------------------|
| Part Number | Model Number | Frequency Range (MHz) |
| 218-Frequency-xxxxx | FD | 6.000 ~ 218.000 |

| STANDARD SPECIFICATIONS ¹ | |
|--|--|
| PARAMETERS | MAX (unless otherwise noted) |
| Frequency Range | 6.000 ~ 218.000 MHz |
| Frequency Tolerance @ 25°C | ±50 PPM |
| Frequency Stability, ref @ 25°C Over Operating Temp Range | ±50 PPM |
| Temperature Range | |
| Operating (TOPR) | -10°C ~ +60°C |
| Storage (TSTG) | -40°C ~ +85°C |
| Shunt Capacitance (Co) | 7.0 pF |
| Load Capacitance (CL) | 10 pF ~ Series (Customer Specified) |
| Drive Level | |
| 6.000 ~ 160.000 MHz (Fund to 50MHz, 3rd OT, 5th OT) | 0.5 mW |
| 50.000 ~ 218 MHz (Fund Inverted Mesa) | 0.1 mW |
| Aging per year | ±5 PPM |

¹ Other tolerances, stabilities & operating temperature ranges available. Consult Fox Customer Service for specific requirements.
All specifications subject to change without notice.

| Frequency Range (MHz) | Operating Mode | Max ESR Ω |
|-----------------------|-------------------------|-----------|
| 8.000 ~ 10.000 | Fundamental | 110 |
| 10.000 ~ 16.000 | Fundamental | 60 |
| 16.000 ~ 50.000 | Fundamental | 40 |
| 50.000 ~ 218.000 | Fundamental (Inv. Mesa) | 30 |
| 28.000 ~ 176.000 | 3rd OT | 60 |
| 84.000 ~ 160.000 | 5th OT | 80 |



All dimensions are in millimeters.

Ceramic Seam Sealed SMD Crystal



Model: FD

RoHS Compliant / Pb Free

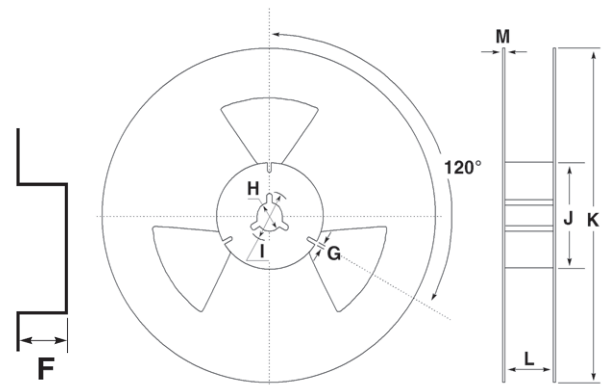
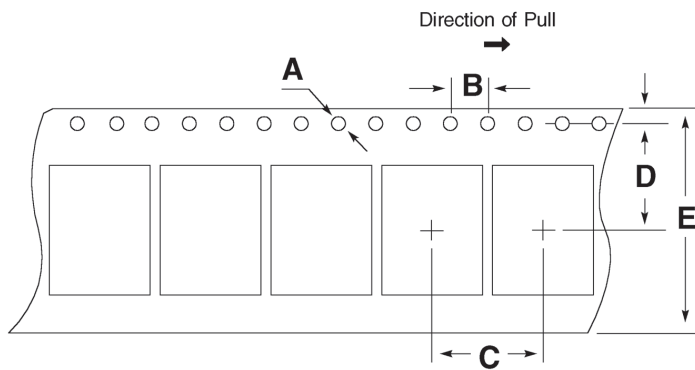
Rev. 2/21/2014

http://www.foxonline.com/need_a_sample.htm

Need a
Sample®

| • TAPE SPECIFICATIONS (millimeters) | | | | | | | |
|-------------------------------------|------|-----|-----|-----|------|-----|--------------|
| MODEL | A | B | C | D | E | F | STD Reel QTY |
| FD | ∅1.5 | 4.0 | 8.0 | 7.5 | 16.0 | 1.7 | 1,000 |

| • REEL SPECIFICATIONS (millimeters) | | | | | | | |
|-------------------------------------|-----|-----|-----|-----|------|------|-----|
| MODEL | G | H | I | J | K | L | M |
| FD | 2.0 | ∅13 | ∅21 | ∅80 | ∅250 | 17.5 | 2.0 |



Mouser Electronics

Authorized Distributor

Click to View Pricing, Inventory, Delivery & Lifecycle Information:

Fox:

[FE250F-20](#) [FE-6.00MHz](#)