

## Series 800 Mighty Mouse, UN Mating Thread Plug with Crimp Contacts, Hex or Knurled Coupling 800-006 Thru 800-009 Ordering Information



**Smallest Mighty Mouse Connector** features a compact size and rugged design for hostile environments. Connector shells are machined aluminum or stainless steel. Supplied with crimp contacts, packaged separately. Terminate contacts with standard M22520 tools. Metal clips inside the connector body lock contact into place and can be removed via the rear release retention system. Fluorosilicone seals and rear grommet protect connector from water ingress. Choose hex or knurled coupling nut. Terminate cable shield directly to connector body with Band-Master™ ATS strap, or choose rear accessory thread to attach optional cable clamp or backshell. Available in shell sizes 5 through 12 in 36 contact arrangements.

### How To Order

Sample Part Number	800-006	-06	M	6-7	P	N
Series (See Table I)	800-006 = Hex Plug with Banding Platform 800-007 = Hex Plug with Accessory Thread 800-008 = Plug with Band Platform 800-009 = Plug with Accessory Thread					
Shell Style	-06 = Standard Coupling Nut -16 = Coupling Nut with Anti-Decoupling Wave Spring					
Shell Material and Finish	C = Aluminum / Black Anodize (Non-Conductive) RoHS Compliant M = Aluminum / Electroless Nickel RoHS Compliant NF = Aluminum / Cadmium with Olive Drab Chromate ZNU = Aluminum / Zinc-Nickel with Black Chromate MT = Aluminum / Nickel-PTFE RoHS Compliant Z1 = Stainless Steel / Passivated RoHS Compliant					
Shell Size - Insert Arrangement	See Contact Arrangements page C-2					
Contact Type	<b>Connector supplied with crimp contacts</b> P = Pin S = Socket	<b>Connector supplied without contacts</b> A = Pin Connector B = Socket Connector	<b>Connector supplied with 30 AWG crimp contacts</b> G = Pin H = Socket			
Shell Key Positions (See Table II)	N = Normal X = Pos. X Y = Pos. Y Z = Pos. Z					

#### Table I: Series

<b>800-006</b> Hex Plug with Banding Platform	<b>800-007</b> Hex Plug with Accessory Thread	<b>800-008</b> Knurled Plug with Band Platform	<b>800-009</b> Knurled Plug with Accessory Thread

#### Table III: Keyway Positions<sup>6,7</sup>

Shell Size 5 and 6	Shell Size 7 thru 12
Key Position	Key Rotation
N Normal	150°
X	140°
Y	130°
Z	120°

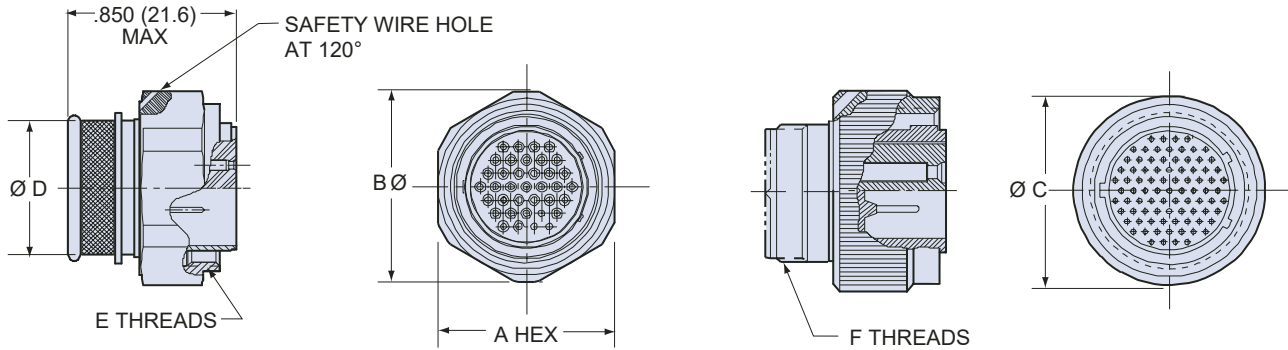
Dimensions in Inches (millimeters) are subject to change without notice.

# Series 800 Mighty Mouse, UN Mating Thread Plug with Crimp Contacts, Hex or Knurled Coupling 800-006 Thru 800-009 Dimensions



Series 800

## Plug connector with banding porch or accessory threads



**Integral Band Platform**  
(Hex Coupling Shown)  
**800-006**  
**800-008**

**Hex Coupling Nut**  
**800-006**  
**800-007**

**Accessory Thread**  
(Knurled Coupling Shown)  
**800-007**  
**800-009**

**Knurled Coupling**  
**800-008**  
**800-009**

C

Dimensions									
Shell Size	Std Coupling Nut - Style 06			Coupling Nut with Wave Spring - Style 16			Ø D	E Threads Coupling Nut	F Threads Accessory
	A Hex	Ø B	Ø C	A Hex	B Ø	Ø C			
5	.430 (10.92)	.47 (11.94)	.43 (10.92)	.495 (12.57)	.54 (13.72)	.49 (12.45)	.230 (5.84)	.3125-28 UN-2B	.250-32 UNEF-2A
6	.500 (12.70)	.55 (13.97)	.50 (12.70)	.563 (14.30)	.62 (15.75)	.56 (14.22)	.286 (7.26)	.3750-28 UN-2B	.3125-32 UNEF-2A
7	.625 (15.88)	.68 (17.27)	.62 (15.75)	.720 (18.29)	.80 (20.32)	.68 (17.27)	.390 (9.91)	.4375-28 UNEF-2B	.4375-28 UNEF-2A
8	.680 (17.27)	.75 (19.05)	.68 (17.27)	.743 (18.87)	.83 (21.08)	.75 (19.05)	.445 (11.30)	.5000-32 UN-2B	.5000-28 UNEF-2A
9	.750 (19.05)	.83 (21.08)	.75 (19.05)	.813 (20.65)	.89 (22.61)	.81 (20.57)	.500 (12.70)	.5625-32 UN-2B	.5625-24 UNEF-2A
10	.812 (20.62)	.90 (22.86)	.81 (20.57)	.875 (22.23)	.96 (24.38)	.88 (22.35)	.565 (14.35)	.6250-32 UN-2B	.6250-24 UNEF-2A
12	.875 (22.23)	.97 (24.64)	.88 (22.35)	.938 (23.83)	1.03 (26.16)	.94 (23.88)	.650 (16.51)	.7500-28 UN-2B	.6875-24 UNEF-2A

### NOTES

- Contacts are size 23 crimp type, and used in a rear release retention system
- Additional insert arrangements available, consult factory
- Crimp barrel accommodates 22, 24, 26 and 28 gage wire
- Crimp tool data:
  - Crimp frame: M2252002-01
  - Positioner for use with crimp frame: Glenair P/N 809-005
  - Insertion tool: Glenair P/N 806-006
  - Extraction tool: Glenair P/N 809-007

- Shell sizes 5 thru 6 and insert arrangement 8-13:** master key is located at top dead center (TDC) for normal (N) position.
- Shell size 7 thru 12:** master key is rotated 90° from TDC for normal position

### Material / finish:

- Shell: Aluminum Alloy or CRES / see How to Order Table
- Coupling nut: aluminum alloy or CRES: see How to Order Table
- Insulator: LCP or epoxy
- Interfacial seal, grommet seal: fluorosilicone or silicone
- Contact: copper alloy / gold plate per ASTM B 488, Type II, Class 1.25, over a suitable underplate

Dimensions in Inches (millimeters) are subject to change without notice.