

# Series 800 Mighty Mouse with UN Mating Thread Crimp Receptacle Ordering Information

800-010 and 800-011



**In-Line**



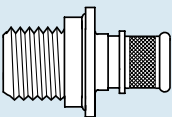
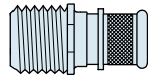
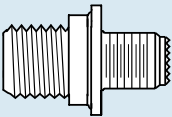
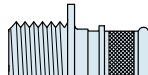
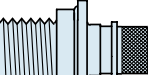
**Rear Panel Jam Nut**



**Square Flange**

**Integral Band Platform** for direct attachment of a cable shield using a **BAND-IT**® strap. Install a boot, or overmold onto the band platform. An accessory thread is available for attaching strain reliefs and backshells.

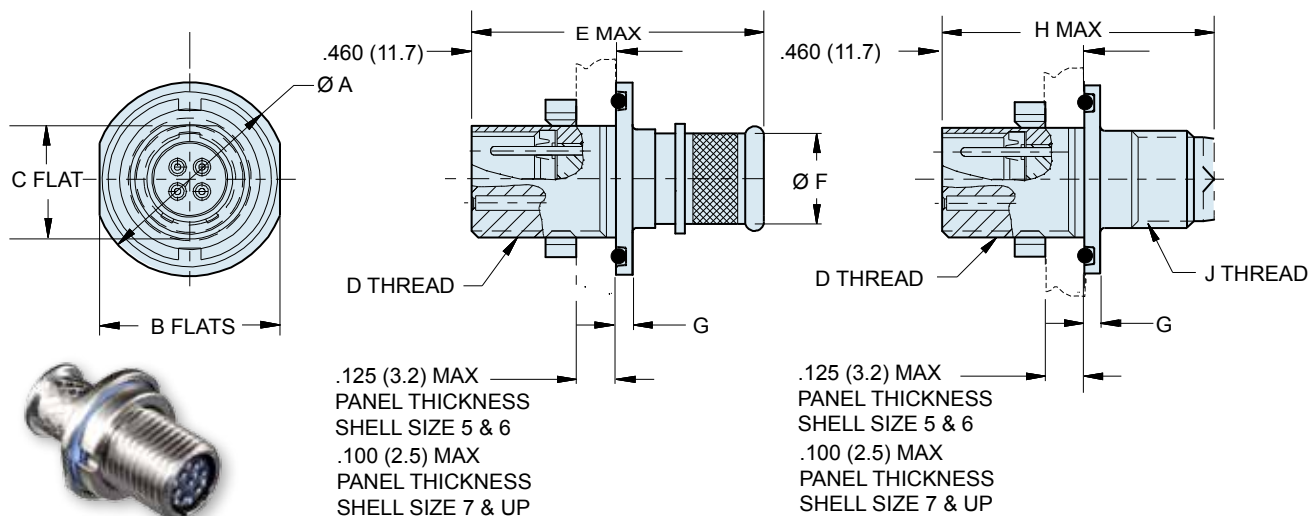
**Three Shell Options:** Jam nut with o-ring for rear panel mounting, square flange or in-line receptacle for free-hanging cables.

| HOW TO ORDER  |   |   |   |   |                    |
|---|---|---|---|---|--------------------|
| Sample Part Number  |   |   |   |   |                    |
| 800-011   | -01   | M   | 6-4   | P   | N                  |
| Series  | Shell Style   | Shell Material / Finish   | Shell Size- Insert Arrangement              | Contact Type  | Shell Key Position |
| <br><b>800-010</b><br>Receptacle with Banding Platform  | <br><b>-01</b><br>In-Line                                   | <b>C</b><br>Aluminum / Black Anodize (Non-Conductive)<br>RoHS Compliant | SEE <b>CONTACT ARRANGEMENTS</b><br>PAGE C-2 | <b>Connector supplied with contacts</b><br><b>P</b><br>Pin  | <b>N</b><br>Normal |
|   |   | <b>M</b><br>Aluminum / Electroless Nickel<br>RoHS Compliant             |   | <b>S</b><br>Socket  | <b>X</b><br>Pos. X |
| <br><b>800-011</b><br>Receptacle with Accessory Thread | <br><b>-02</b><br>Square Flange for Front or Rear Mounting | <b>NF</b><br>Aluminum / Cadmium with Olive Drab Chromate                |   | <b>Connector supplied without contacts</b><br><b>A</b><br>Pin Connector, less contacts  | <b>Y</b><br>Pos. Y |
|   |   | <b>ZN</b><br>Aluminum / Zinc-Nickel with Olive Drab Chromate            |   | <b>B</b><br>Socket Connector, less contacts   | <b>Z</b><br>Pos. Z |
|   | <br><b>-07</b><br>Jam Nut for Rear Panel Mounting          | <b>ZNU</b><br>Aluminum / Zinc-Nickel with Black Chromate                |   | Connectors with contacts are supplied with signal and/or power crimp contacts. These contacts are not installed.<br><br>Coaxial contacts and non-standard signal contacts are ordered separately. |                    |
|   |   | <b>MT</b><br>Aluminum / Nickel-PTFE<br>RoHS Compliant                   |   |   |                    |
| <b>Z1</b><br>Stainless Steel / Passivated<br>RoHS Compliant   |   |   |   |   |                    |

Dimensions in inches (millimeters) and are subject to change without notice.

### Integral Band Platform 800-010-07

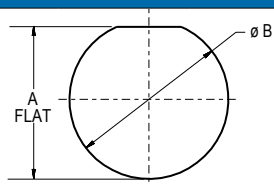
### Accessory Thread 800-011-07



## DIMENSIONS

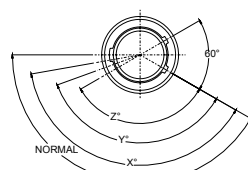
| Shell Size | Ø A   |       | B    |       | C    |       | D Threads Mating | E Max. |       | Ø F  |       | Ø G  |      | H Max. |       | J Threads Accessory |
|------------|-------|-------|------|-------|------|-------|------------------|--------|-------|------|-------|------|------|--------|-------|---------------------|
|            | In.   | mm.   | In.  | mm.   | In.  | mm.   |                  | In.    | mm.   | In.  | mm.   | In.  | mm.  | In.    | mm.   |                     |
| 5          | .541  | 13.74 | .500 | 12.70 | .285 | 7.24  | .3125-28 UN-2A   | .875   | 22.22 | .230 | 5.84  | .051 | 1.30 | .850   | 21.59 | .250-32 UNEF-2A     |
| 6          | .610  | 15.49 | .562 | 14.27 | .352 | 8.94  | .3750-28 UN-2A   | .875   | 22.22 | .286 | 7.26  | .051 | 1.30 | .850   | 21.59 | .3125-32 UNEF-2A    |
| 7          | .670  | 17.02 | .635 | 16.13 | .411 | 10.44 | .4375-28 UNEF-2A | .875   | 22.22 | .390 | 9.91  | .093 | 2.36 | .850   | 21.59 | .4375-28 UNEF-2A    |
| 8          | .775  | 19.69 | .735 | 18.67 | .473 | 12.01 | .5000-32 UN-2A   | .875   | 22.22 | .445 | 11.30 | .093 | 2.36 | .850   | 21.59 | .5000-28 UNEF-2A    |
| 9          | .875  | 22.23 | .806 | 20.47 | .530 | 13.46 | .5625-32 UN-2A   | .875   | 22.22 | .500 | 12.70 | .093 | 2.36 | .850   | 21.59 | .5625-24 UNEF-2A    |
| 10         | .980  | 24.89 | .940 | 23.88 | .604 | 15.34 | .6250-32 UN-2A   | .875   | 22.22 | .565 | 14.35 | .093 | 2.36 | .850   | 21.59 | .6250-24 UNEF-2A    |
| 12         | 1.062 | 26.97 | .986 | 25.04 | .712 | 18.08 | .7500-28 UN-2A   | .875   | 22.22 | .650 | 16.51 | .093 | 2.36 | .850   | 21.59 | .6875-24 UNEF-2A    |

## SERIES 800 PANEL CUTOUTS

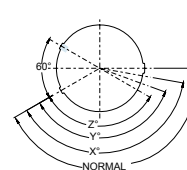


| Shell Size | A Flat    |             | Ø B       |             |
|------------|-----------|-------------|-----------|-------------|
|            | In.       | mm.         | In.       | mm.         |
| 5          | .295/.299 | 7.49/7.59   | .317/.327 | 8.05/8.30   |
| 6          | .358/.362 | 9.09/9.19   | .380/.390 | 9.65/9.91   |
| 7          | .424/.428 | 10.77/10.87 | .442/.452 | 11.23/11.48 |
| 8          | .479/.483 | 12.16/12.26 | .505/.515 | 12.83/13.08 |
| 9          | .537/.541 | 13.64/13.74 | .567/.577 | 14.40/14.66 |
| 10         | .610/.614 | 15.49/15.59 | .630/.640 | 16.00/16.26 |
| 12         | .717/.721 | 18.21/18.31 | .755/.765 | 19.18/19.43 |

## SERIES 800 KEY POSITIONS



Plug



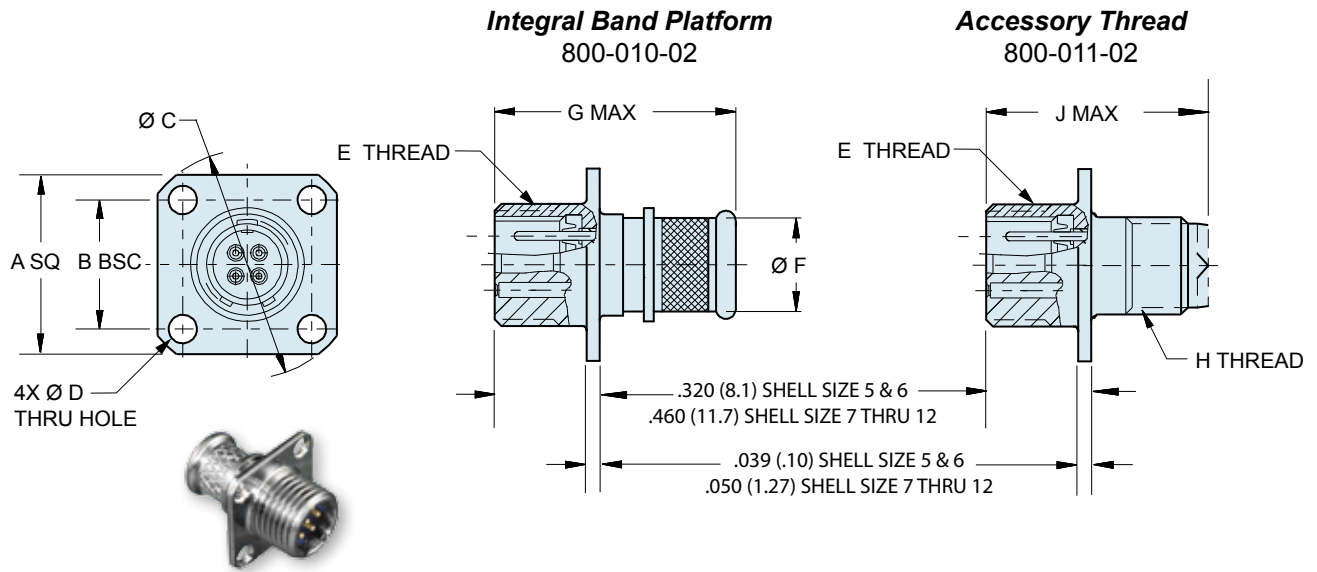
Receptacle

| Key Position | Key Rotation |
|--------------|--------------|
| Normal (N)   | 150°         |
| X            | 140°         |
| Y            | 130°         |
| Z            | 120°         |

Shell size 5 and 6: master key is located at top dead center for normal (N) position. Shell size 7 thru 12: master key is rotated 90° from TDC.

Dimensions in inches (millimeters) and are subject to change without notice.

# Series 800 Mighty Mouse with UN Mating Thread Square Flange Crimp Receptacle Dimensions 800-010-02 and 800-011-02



## DIMENSIONS

| Shell Size | A SQ  |       | B    |       | Ø C   |       | Ø D  |      | E Threads Mating | Ø F  |       | G Max. |       | H Threads Accessory |      | J Max. |     |
|------------|-------|-------|------|-------|-------|-------|------|------|------------------|------|-------|--------|-------|---------------------|------|--------|-----|
|            | In.   | mm.   | In.  | mm.   | In.   | mm.   | In.  | mm.  |                  | In.  | mm.   | In.    | mm.   | In.                 | mm.  | In.    | mm. |
| 5          | .527  | 13.39 | .363 | 9.22  | .680  | 17.27 | .094 | 2.39 | .3125-28 UN-2A   | .230 | 5.84  | .750   | 19.05 | .250-32 UNEF-2A     | .725 | 18.42  |     |
| 6          | .588  | 14.92 | .423 | 10.74 | .750  | 19.05 | .094 | 2.39 | .3750-28 UN-2A   | .286 | 7.26  | .750   | 19.05 | .3125-32 UNEF-2A    | .725 | 18.42  |     |
| 7          | .650  | 16.51 | .483 | 12.27 | .830  | 21.08 | .128 | 3.25 | .4375-28 UNEF-2A | .390 | 9.91  | .825   | 20.96 | .4375-28 UNEF-2A    | .800 | 20.32  |     |
| 8          | .710  | 18.03 | .542 | 13.77 | .938  | 23.83 | .128 | 3.25 | .5000-32 UN-2A   | .445 | 11.30 | .825   | 20.96 | .5000-28 UNEF-2A    | .800 | 20.32  |     |
| 9          | .938  | 23.83 | .719 | 18.26 | 1.250 | 31.75 | .128 | 3.25 | .5625-32 UN-2A   | .500 | 12.70 | .825   | 20.96 | .5625-24 UNEF-2A    | .800 | 20.32  |     |
| 10         | .938  | 23.83 | .719 | 18.26 | 1.250 | 31.75 | .128 | 3.25 | .6250-32 UN-2A   | .565 | 14.35 | .825   | 20.96 | .6250-24 UNEF-2A    | .800 | 20.32  |     |
| 12         | 1.031 | 26.19 | .812 | 20.62 | 1.375 | 34.93 | .128 | 3.25 | .7500-28 UN-2A   | .650 | 16.51 | .825   | 20.96 | .6875-24 UNEF-2A    | .800 | 20.32  |     |

## SERIES 800 KEY POSITIONS

| Key Position   | Key Rotation |  |  |
|--|--------------|--|--|
| Normal (N)   | 150°         | <p style="text-align: center;">Plug Key Position</p> | <p style="text-align: center;">Receptacle Key Position</p> |
| X  | 140°         |  |  |
| Y  | 130°         |  |  |
| Z  | 120°         |  |  |
| <p>Shell size 5 and 6: master key is located at top dead center for normal (N) position. Shell size 7 thru 12: master key is rotated 90° from TDC.</p> |              |  |  |

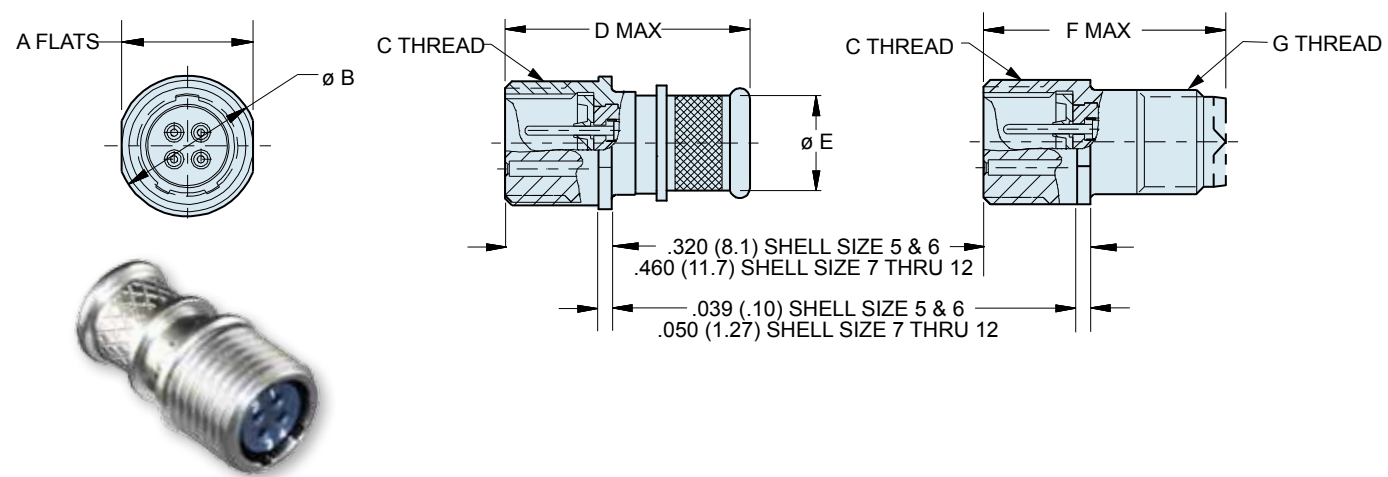
Dimensions in inches (millimeters) and are subject to change without notice.



# Series 800 Mighty Mouse with UN Mating Thread In-Line Crimp Receptacle Dimensions 800-010-01 and 800-011-01

**Integral Band Platform**  
800-010-01

**Accessory Thread**  
800-011-01



## DIMENSIONS

| Shell Size | A    |       | Ø B  |       | C Threads Mating | D Max. |       | Ø E  |       | F Max. |       | G Threads Accessory |
|------------|------|-------|------|-------|------------------|--------|-------|------|-------|--------|-------|---------------------|
|            | In.  | mm.   | In.  | mm.   |                  | In.    | mm.   | In.  | mm.   | In.    | mm.   |                     |
| 5          | .312 | 7.92  | .355 | 9.02  | .3125-28 UN-2A   | .750   | 19.05 | .230 | 5.84  | .725   | 18.42 | .250-32 UNEF-2A     |
| 6          | .375 | 9.53  | .400 | 10.16 | .3750-28 UN-2A   | .750   | 19.05 | .286 | 7.26  | .725   | 18.42 | .3125-32 UNEF-2A    |
| 7          | .445 | 11.30 | .490 | 12.45 | .4375-28 UNEF-2A | .825   | 20.96 | .390 | 9.91  | .800   | 20.32 | .4375-28 UNEF-2A    |
| 8          | .550 | 13.97 | .600 | 15.24 | .5000-32 UN-2A   | .825   | 20.96 | .445 | 11.30 | .800   | 20.32 | .5000-28 UNEF-2A    |
| 9          | .613 | 15.57 | .663 | 16.84 | .5625-32 UN-2A   | .825   | 20.96 | .500 | 12.70 | .800   | 20.32 | .5625-24 UNEF-2A    |
| 10         | .675 | 17.15 | .725 | 18.42 | .6250-32 UN-2A   | .825   | 20.96 | .565 | 14.35 | .800   | 20.32 | .6250-24 UNEF-2A    |
| 12         | .800 | 20.32 | .850 | 21.59 | .7500-28 UN-2A   | .825   | 20.96 | .650 | 16.51 | .800   | 20.32 | .6875-24 UNEF-2A    |

## SERIES 800 KEY POSITIONS

| Key Position   | Key Rotation |   |   |
|--|--------------|---|---|
| Normal (N)   | 150°         | <p style="text-align: center; color: #0056b3; font-weight: bold;">Plug Key Position</p> | <p style="text-align: center; color: #0056b3; font-weight: bold;">Receptacle Key Position</p> |
| X  | 140°         |   |   |
| Y  | 130°         |   |   |
| Z  | 120°         |   |   |
| <p>Shell size 5 and 6: master key is located at top dead center for normal (N) position. Shell size 7 thru 12: master key is rotated 90° from TDC for normal position.</p> |              |   |   |

Dimensions in inches (millimeters) and are subject to change without notice.