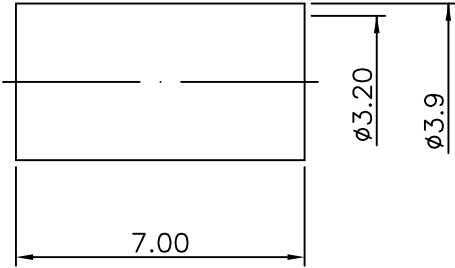
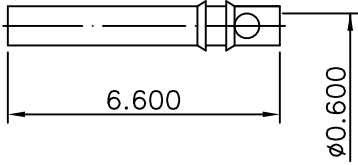
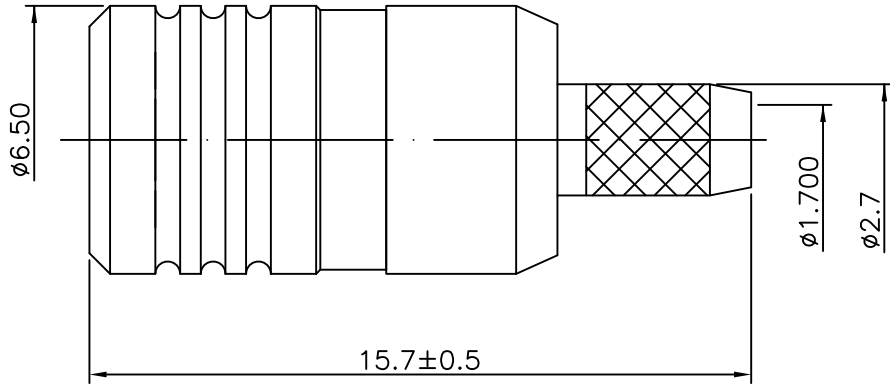


Date	Rev.	Description



NO.	DESCRIPTION	MATERIAL	FINISH	Q'TY	DRAWN NO.
7	FERRULE	BRASS	GOLD	1	M-0010
6	PIN	Be Cu	GOLD	1	C-0001
5	BARREL	BRASS	GOLD	1	E-0001
4	BODY	BRASS	GOLD	1	B-0001
3	INSULATOR	P.E.	NONE	1	I-0001
2	INSULATOR	TEFLON	NONE	1	T-0001
1	SHELL	BRASS	GOLD	1	A-0001

DCC. NO.  
A4 DRAWING NO.

MATERIAL		<b>GOLDSUN ELECTRONICS CO., LTD.</b>	
DRAWN: Kiki Chen		JAMECO NO. <b>172372</b>	GOLDSUN NO. 24-05L-1-TGG-R
VERIFY PEOPLE: Ada Zheng, Ivy Lan		Description SMB MALE CRIMP CONNECTOR Rev. 1	
UNIT: mm	SCALE:	SHEET 1 OF 1	CAS No: ERN No: