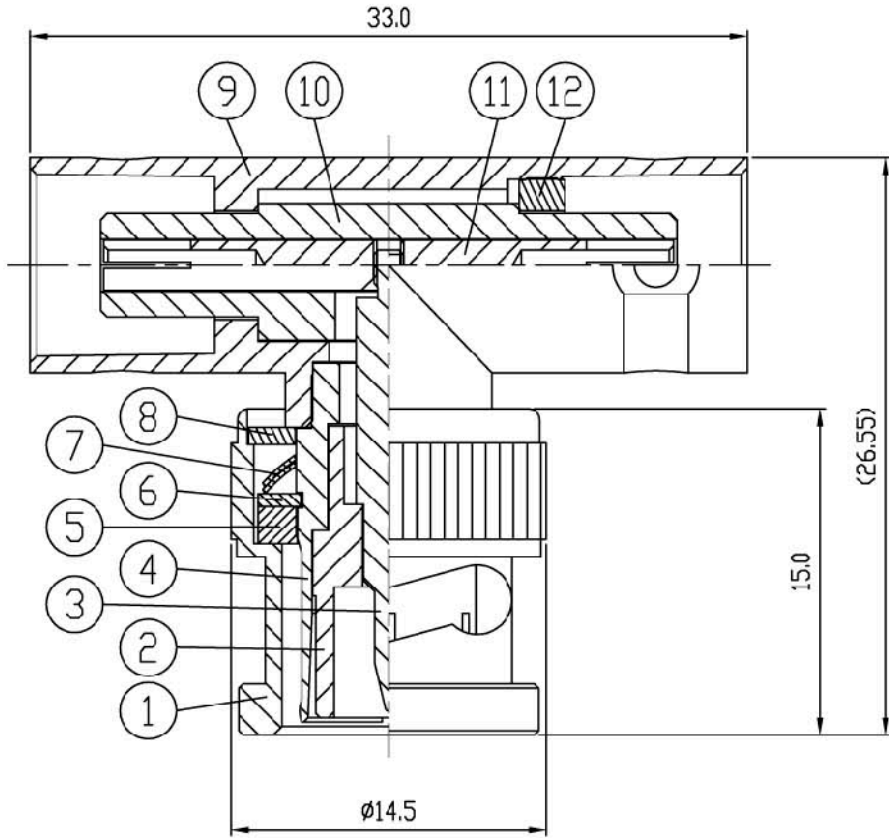


Date	Rev.	Description



RoHS 適合品  
(RoHS Compliant)  
Cd ≤ 75 ppm  
Pb ≤ 4 wt%

NO	DESCRIPTION	MATERIAL	Q'TY	FINISH	ITEM #	CODE #
12	WASHER	BRASS	1	NICKEL	TC-102-4H	C3604
11	CENTER PIN	BRASS	1	GOLD	TC-115-3B	C3602B
10	INSULATOR	DELTRIN	1		TC-115-4B	NA 208
9	BODY	ZINE	1	NICKEL	TC-115-1B	K-2
8	WASHER	Fe	1	NICKEL	TC-101-4	JIS G3141
7	SPRING	SK5	2	NICKEL	TC-101-5	SK5-M
6	INNER RETAINING RING	SK5	1	NICKEL	TC-101-6	SK5-M
5	GASKET	RUBBER	1		TC-101-11	SBR
4	BODY	BRASS	1	NICKEL	TC-115-2B	C3604
3	CENTER PIN	BRASS	1	GOLD	TC-115-5B	C3602B
2	INSULATOR	DELTRIN	1		TC-105-3-1	NA 208
1	SHELL	BRASS	1	NICKEL	TC-BNC-1(鍍)	C3604
NO	DESCRIPTION	MATERIAL	Q'TY	FINISH	ITEM #	CODE #

DCC. NO.  
A4 DRAWING NO.

MATERIAL		<b>GOLDSUN ELECTRONICS CO., LTD.</b>			
		JAMECO NO. <b>355128</b>	GOLDSUN NO. TC-115-DBGNM1		
DRWN: Kiki Chen	DATE	Description BNC CONNECTOR			Rev. 1
CHK: Ada Zheng	DATE	UNIT: mm	SCALE:	SHEET 1 OF 1	CAS No: ERN No:
APVD: Chesley Chang	DATE				