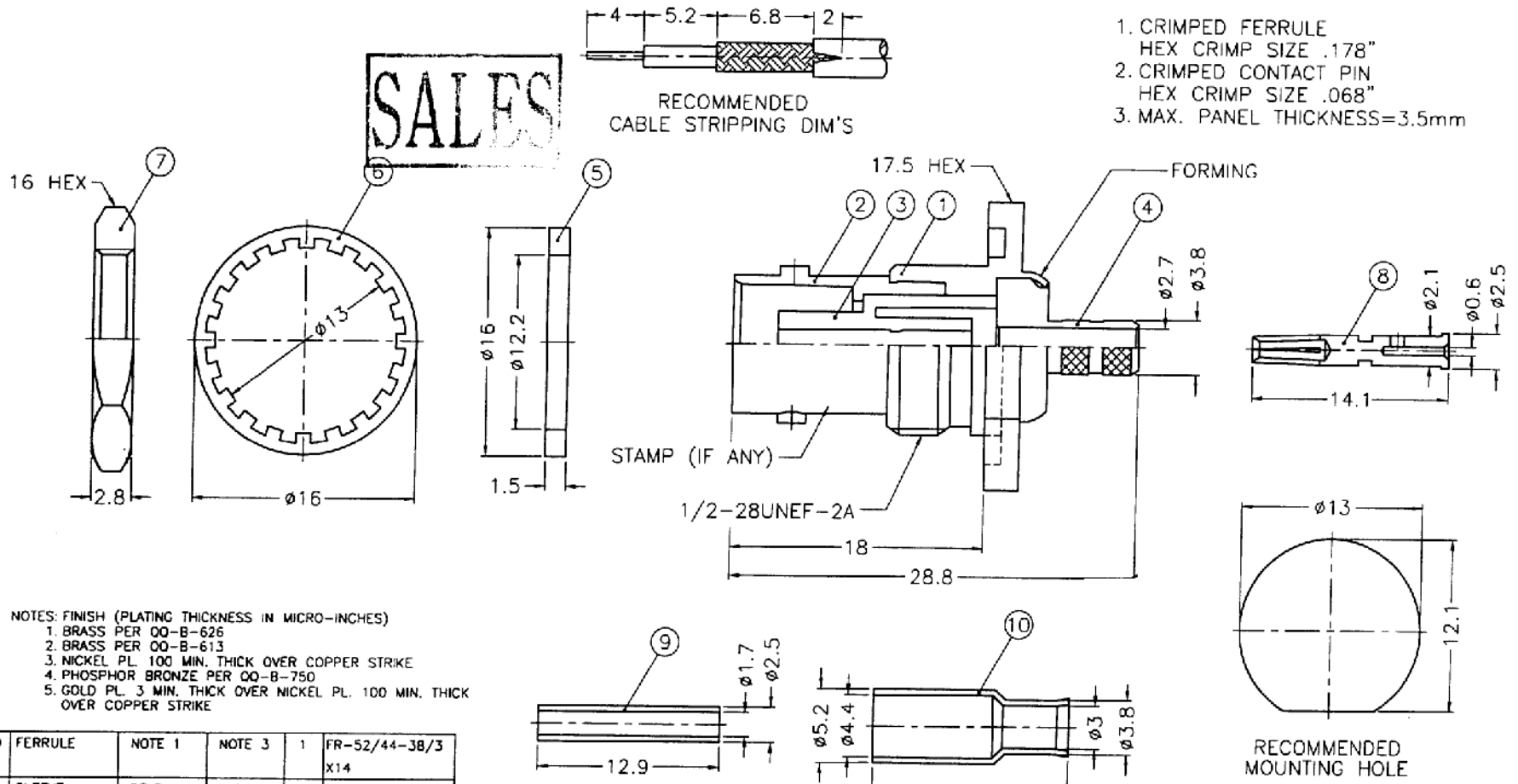


Date	Rev.	Description



1. CRIMPED FERRULE
HEX CRIMP SIZE .178"
2. CRIMPED CONTACT PIN
HEX CRIMP SIZE .068"
3. MAX. PANEL THICKNESS=3.5mm

NOTES: FINISH (PLATING THICKNESS IN MICRO-INCHES)

1. BRASS PER QQ-B-626
2. BRASS PER QQ-B-613
3. NICKEL PL. 100 MIN. THICK OVER COPPER STRIKE
4. PHOSPHOR BRONZE PER QQ-B-750
5. GOLD PL. 3 MIN. THICK OVER NICKEL PL. 100 MIN. THICK OVER COPPER STRIKE

NO.	DESCRIPTION	MATERIAL	FINISH	Q'TY	DRAWING NO.
10	FERRULE	NOTE 1	NOTE 3	1	FR-52/44-38/3 X14
9	SLEEVE	DELTRIN	NATURAL	1	SL-25/17X129
8	CONTACT PIN	NOTE 4	NOTE 5	1	B74000-8-25/06
7	HEX NUT	NOTE 1	NOTE 3	1	HN16-1/2-28X28
6	LOCK WASHER	NOTE 2	NOTE 3	1	LW-16/13X05
5	GASKET	RUBBER	RED	1	GS-16/122X15
4	BARREL	NOTE 1	NOTE 3	1	B74000-4-38/275
3	INSULATOR	DELTRIN	NATURAL	1	B74050-3-50-C
2	BODY	NOTE 1	NOTE 3	1	B74000-2
1	HOUSING	NOTE 1	NOTE 3	1	B74000-1

MATERIAL		GOLDSUN ELECTRONICS CO., LTD.	
JAMECO NO. 355224		GOLDSUN NO. KJ-B6421E1-ND3G-316U-50	
DRAWN: Kiki Chen		Description CONNECTOR	
VERIFY PEOPLE: Ada Zheng , Ivy Lan		Rev. 1	
UNIT: mm	SCALE:	SHEET 1 OF 1	CAS No: ERN No:

DCC. NO.
A4 DRAWING NO.