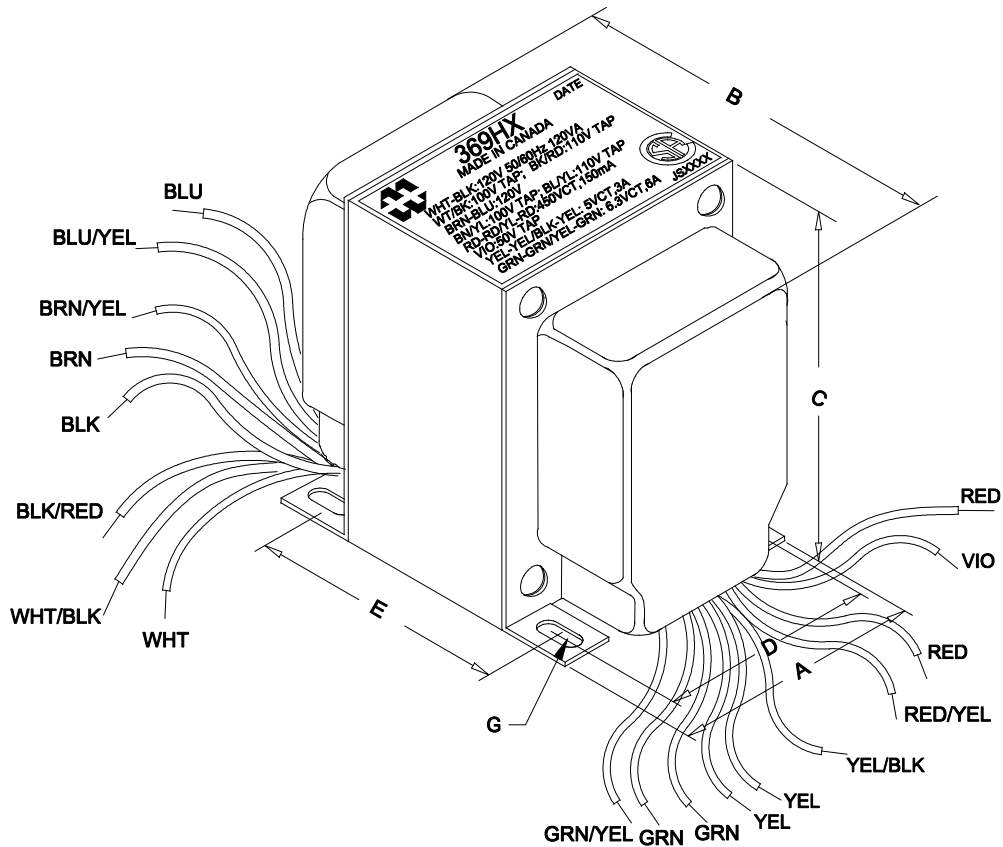
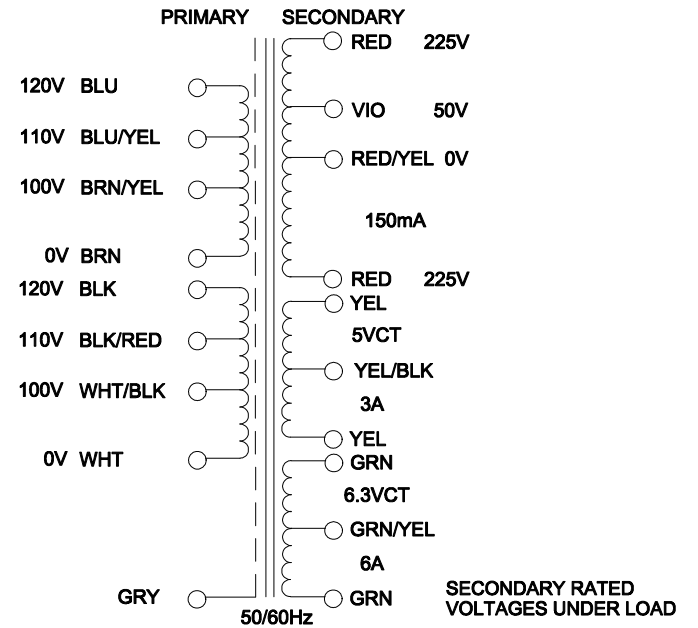


DIMENSIONS:	
A	3.125" ±0.063
B	3.500" ±0.125
C	3.795" ±0.063
D	2.500" ±0.063
E	2.188" ±0.063
G	0.203" x 0.400" ±0.015



NOTE: ALL LEADS 8" OUT MIN.



**ELECTRICAL DATA:**

TESTS	CONDITIONS	ACCEPTANCE CRITERIA	
Iex	@ 120V, 60Hz, WHT - BLK	96mA	Max.
Sec. N.L.V	@ 120V, 60Hz, WHT - BLK		
	RED - RED =	490.9V	±2%
	RED - RED/YEL = RED/YEL - RED =	245.5V	±2%
	RED/YEL - VIO =	54.55V	±2%
	YEL - YEL =	5.455V	±2%
	YEL - YEL/BLK = YEL/BLK - YEL =	2.727V	±2%
	GRN - GRN =	7.091V	±2%
	GRN - GRN/YEL = GRN/YEL - GRN =	3.545V	±2%
DCR	@ 20°C, WHT - BLK =	6.823 Ω	±20%
	@ 20°C, BRN - BLU =	7.531 Ω	±20%
	@ 20°C, RED - RED =	138.6 Ω	±20%
	@ 20°C, YEL - YEL =	0.081 Ω	±20%
	@ 20°C, GRN - GRN =	0.055 Ω	±20%
HIPOT	PRIMARY - SECONDARY	2500V, 60Hz, 1 SEC	

REV.#	REVISION	DATE	HAMMOND ELECTRONIC DIVISION		PH # (519) 886-6181 FAX # (519) 886-9540
0	RELEASED.	01/12/10	52 RANKIN PLACE, WATERLOO, ONTARIO, N2J 3Z5		
			DWG. BY: C. ILIE	CHK'D BY:	TITLE: POWER TRANSFORMER
			DATE: 01/12/10	APP'D. BY:	DWG. NO. 369HX
				DIMENSIONS: IN(X) MM( )	

# Mouser Electronics

Authorized Distributor

Click to View Pricing, Inventory, Delivery & Lifecycle Information:

[Hammond:](#)

[369HX](#)