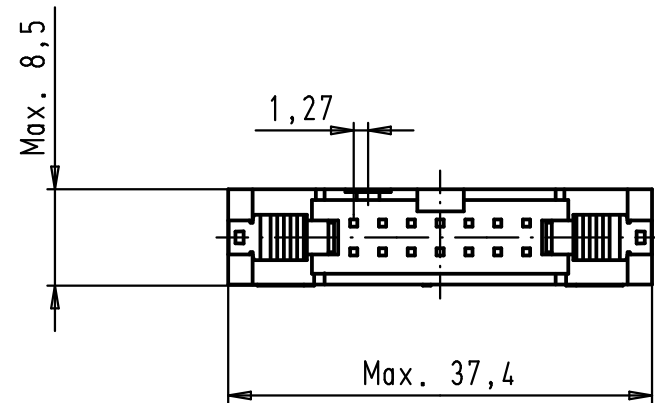
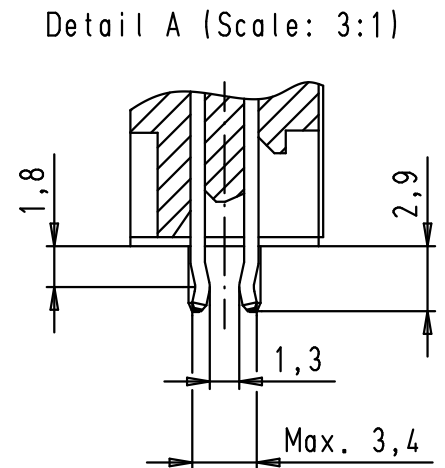
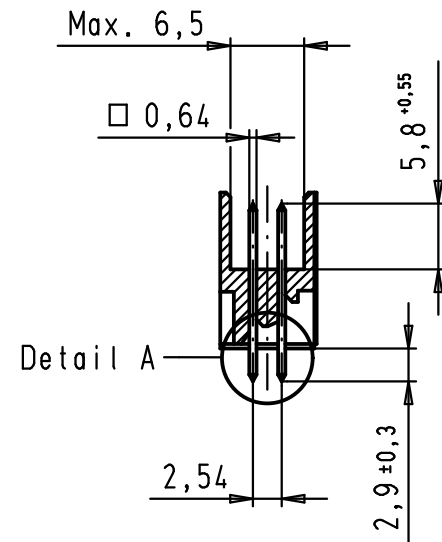
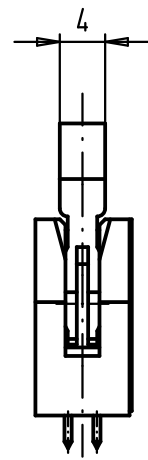
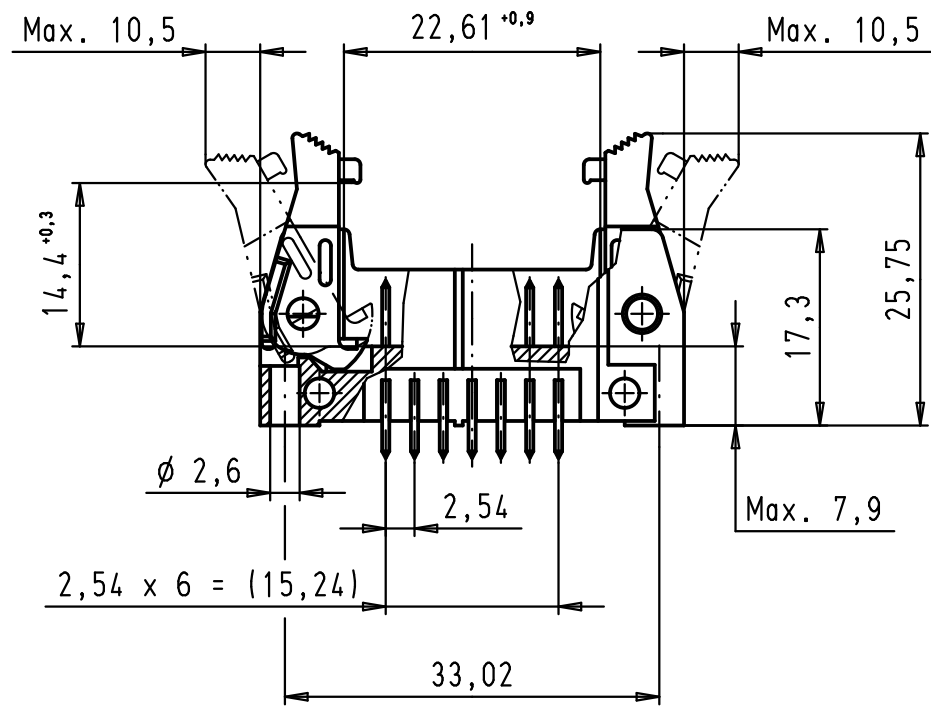
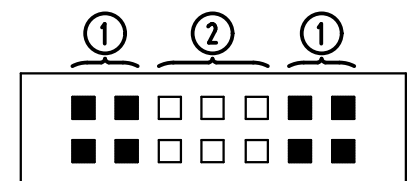
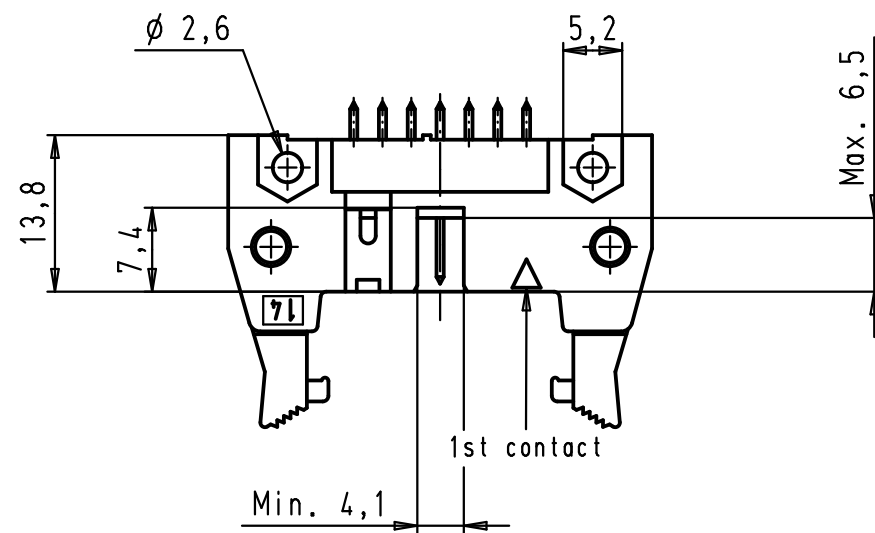
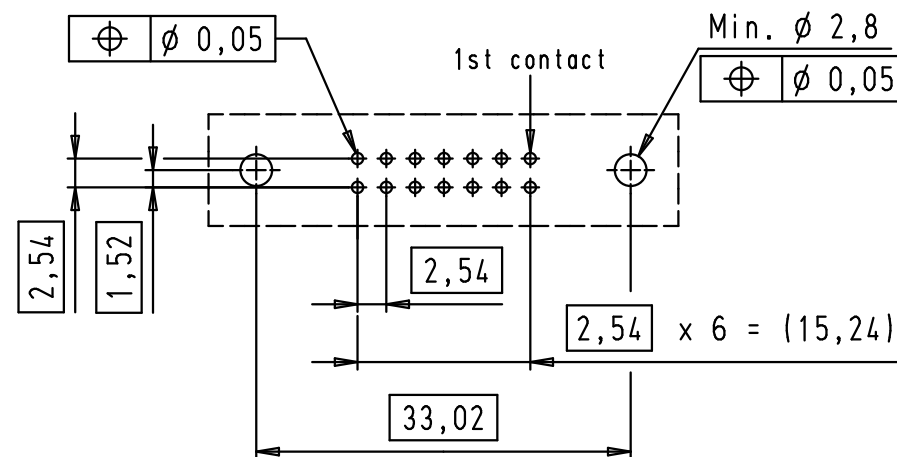


Alle Rechte vorbehalten/ All rights reserved



PCB layout, component side



① Kinked pins
 PCB thickness from 1,50 to 1,94 mm after Cu + Sn plating with non remelted plated through holes ϕ 0,85 to ϕ 1,05 mm
 Maximum insertion force = 125 N
 Minimum retention force = 3 N

② Non kinked pins
 Solder pins for PCB connections ϕ 1 \pm 0,1 according to IEC 60 603-13

09 19 514 7004	3
09 19 514 6004	2
09 19 514 5004	0,76 μ m Au
Part number	Performance level

			Det.	Name	 All Dim. in mm Orig. Size DIN A 3	SEK 19 Male Connector Standard 14 poles High temperature, straight kinked pins and long locking levers	Maßstab/ Scale 1,5:1
			Detail.	25/01/08 LP			
			Insp.				
			Stand.				
34800	25/01/08	LP	HARTING EURL F-95972 Paris			TB 09 19 514 X00X	Blatt/ Page 1/2
Mod.	Det.	Name				Sub.	

Mouser Electronics

Authorized Distributor

Click to View Pricing, Inventory, Delivery & Lifecycle Information:

[HARTING:](#)

[09195145004](#) [09195146004](#) [09195147004](#)