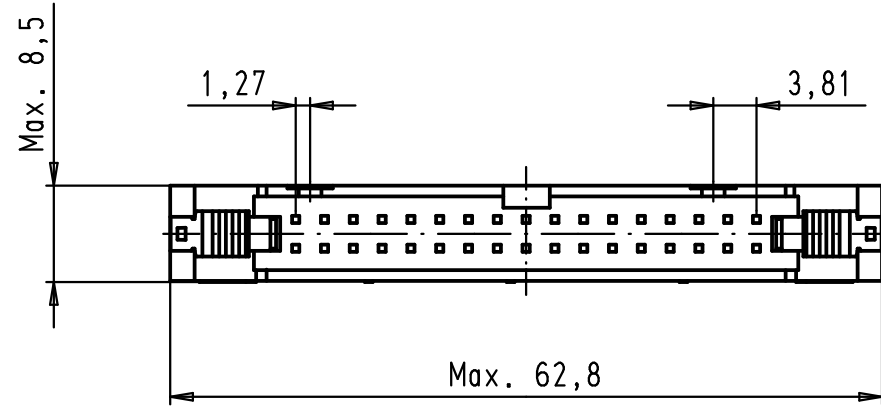
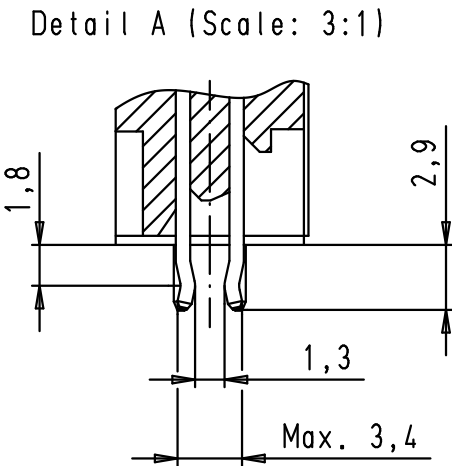
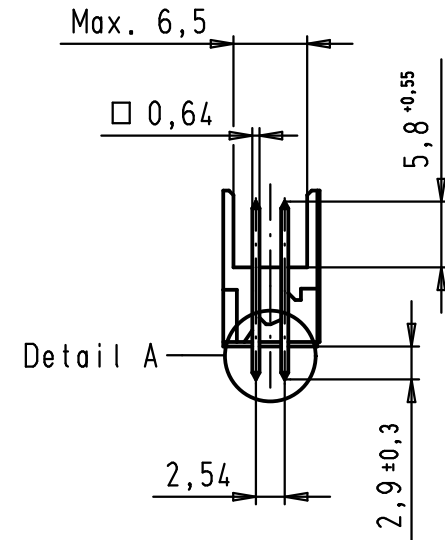
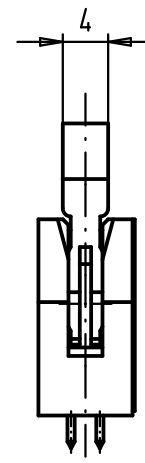
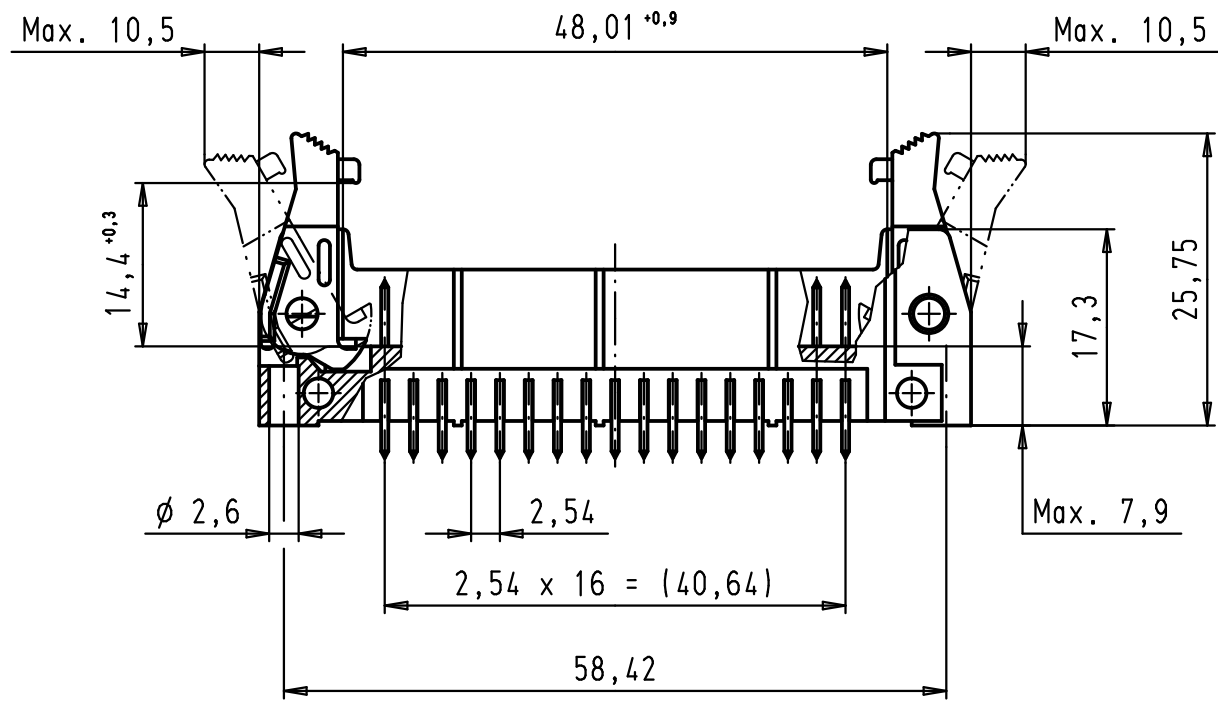
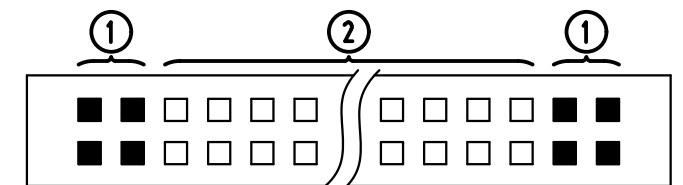
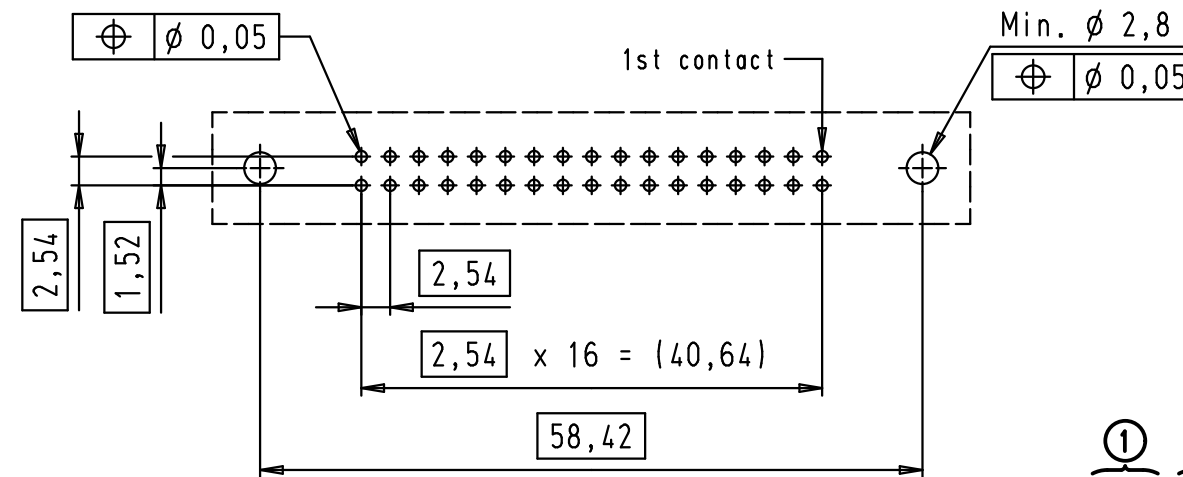


Alle Rechte vorbehalten/ All rights reserved



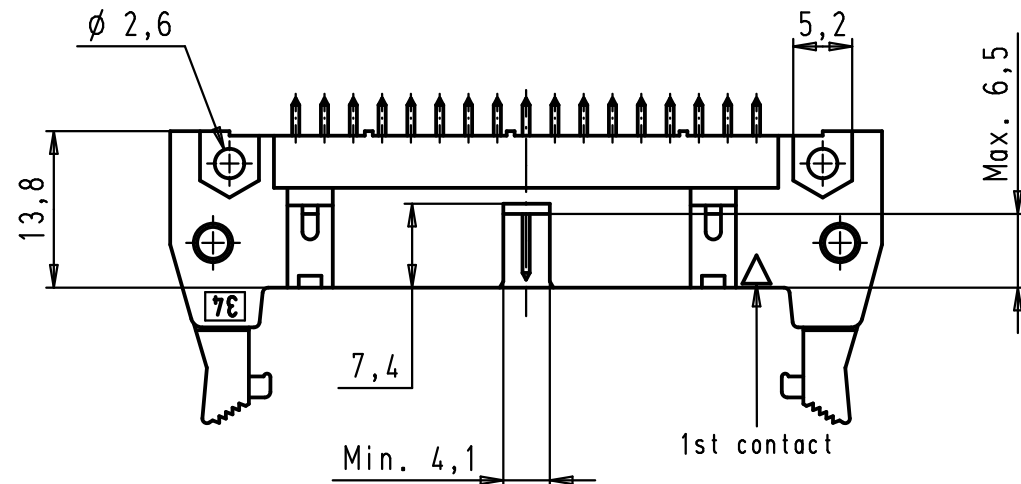
PCB layout, component side



□ Straight contact
■ Kinked contact

1 Kinked pins
PCB thickness from 1,50 to 1,94 mm after Cu + Sn plating with non remelted plated through holes ϕ 0,85 to ϕ 1,05 mm
Maximum insertion force = 125 N
Minimum retention force = 3 N

2 Non kinked pins
Solder pins for PCB connections ϕ 1±0,1 according to IEC 60 603-13



09 19 534 7004	3
09 19 534 6004	2
09 19 534 5004	0,76 μ m Au
Part number	Performance level

			Det.	Name	 All Dim. in mm Orig. Size DIN A 3	SEK 19 Male Connector Standard 34 poles High temperature, straight kinked pins and long locking levers	Maßstab/ Scale 1,5:1
			Detail.	25/01/08 LP			
			Insp.				
			Stand.				
34800	25/01/08	LP	HARTING EURL F-95972 Paris			TB 09 19 534 X00X	Blatt/ Page 1 / 2
Mod.	Det.	Name				Sub.	

Mouser Electronics

Authorized Distributor

Click to View Pricing, Inventory, Delivery & Lifecycle Information:

[HARTING:](#)

[09195345004](#) [09195346004](#) [09195347004](#)