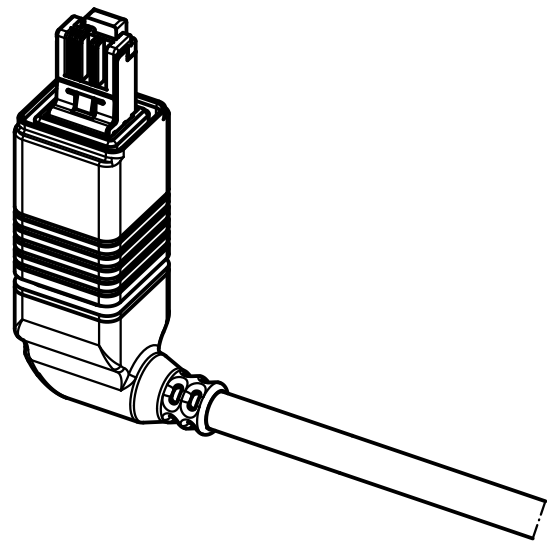
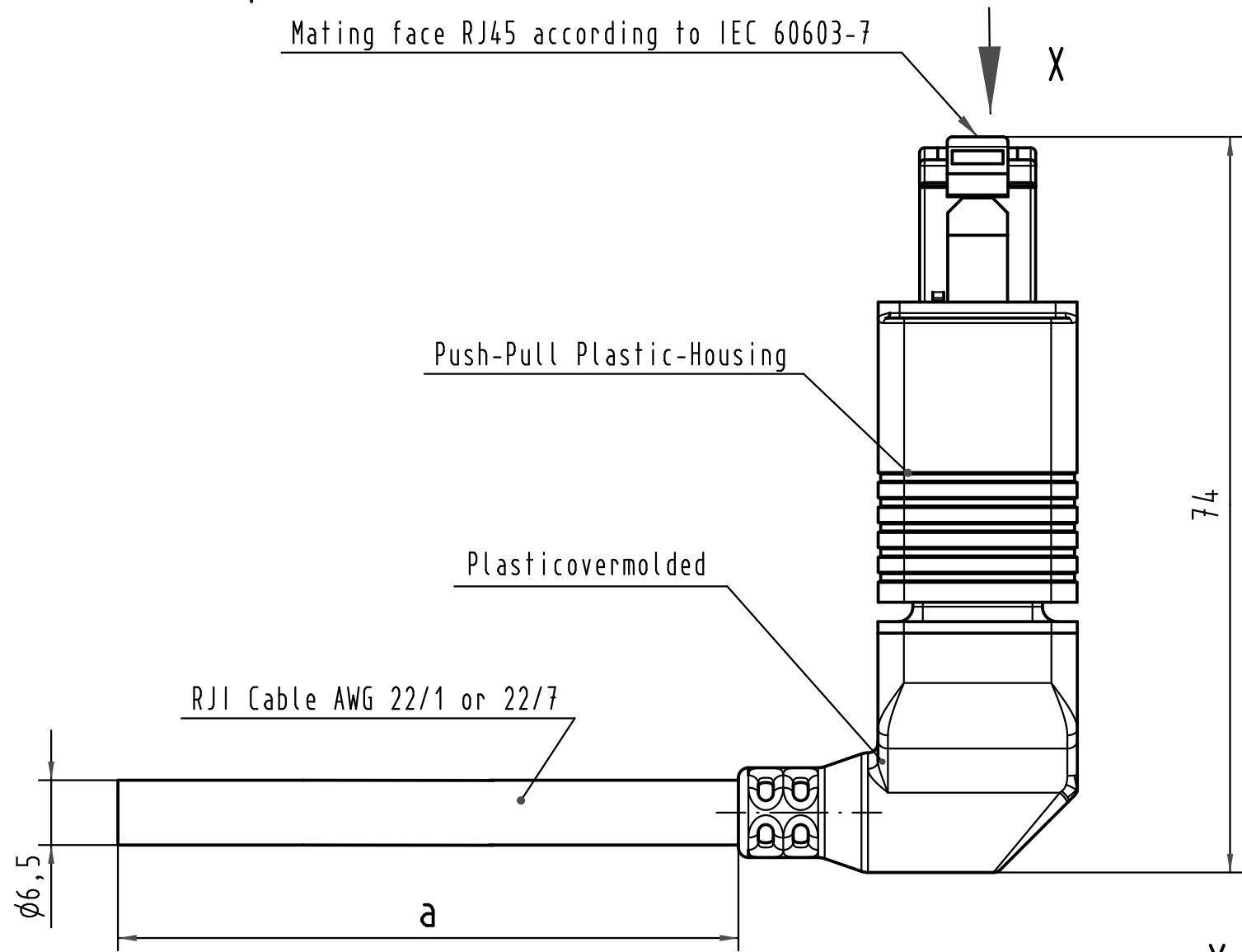


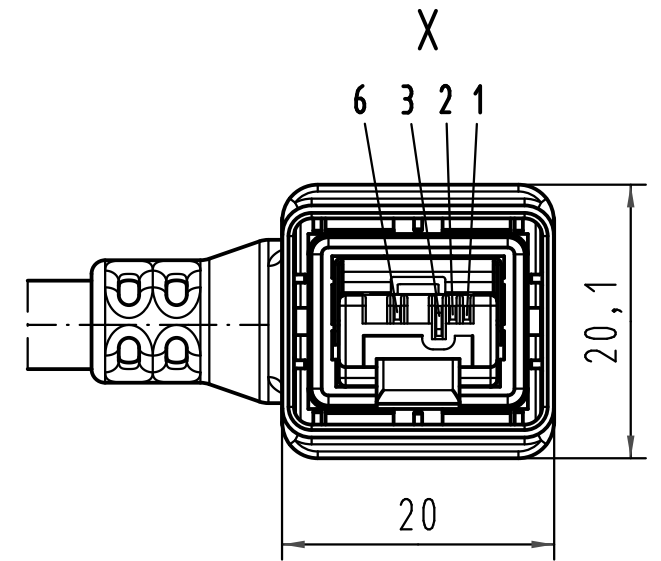
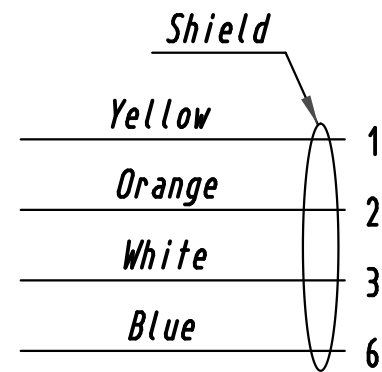
Alle Rechte vorbehalten/ All rights reserved



Mating face RJ45 according to IEC 60603-7



**Loading-Plan**

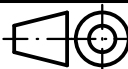



-Transmission properties in accordance with ISO/IEC 11801:2002; Class D.  
 -Protection level: IP67/65  
 -Temperature range: -40°C ...+60°C

All Dimensions in mm Original Size DIN A 3		Techn. Character.			Nicht tolerierte Maß/Free size tolerances	
		Dat.	Name	Maßstab/Scale /	RJ45 cord 1xPush Pull overmolded, angled, 0°pos., 4xAWG22, IP67, CAT5	
		Detail.	02.08.06 RA			
		Insp.				
		Stand.				
DRS490A	06.04.09 MS	HARTING Electronics GmbH & Co. KG D-32339 ESPELKAMP			TB 09 47 39 00 0xx	Blatt/ page 1/2
33681						
Mod.	Dat.	Name				

Alle Rechte vorbehalten/ All rights reserved

1				2				3				4				5				6				7				8			
cont-No.	Part-No.			Type of cable			Dim. a			cont-No.	Part-No.			Type of cable			Dim. a														
A	1	09 47 39 00 001			AWG 22/1 solid			0,5 m			51	09 47 39 00 051			AWG 22/7 trailing			5 m													
	2	09 47 39 00 002			AWG 22/1 solid			1 m			52	09 47 39 00 052			AWG 22/7 trailing			6 m													
	3	09 47 39 00 003			AWG 22/1 solid			1,5 m			53	09 47 39 00 053			AWG 22/7 trailing			7 m													
	4	09 47 39 00 004			AWG 22/1 solid			2 m			54	09 47 39 00 054			AWG 22/7 trailing			8 m													
	5	09 47 39 00 005			AWG 22/1 solid			3 m			55	09 47 39 00 055			AWG 22/7 trailing			9 m													
	6	09 47 39 00 006			AWG 22/1 solid			4 m			56	09 47 39 00 056			AWG 22/7 trailing			10 m													
	7	09 47 39 00 007			AWG 22/1 solid			5 m			57	09 47 39 00 057			AWG 22/7 trailing			15 m													
	8	09 47 39 00 008			AWG 22/1 solid			6 m			58	09 47 39 00 058			AWG 22/7 trailing			20 m													
	9	09 47 39 00 009			AWG 22/1 solid			7 m			59	09 47 39 00 059			AWG 22/7 trailing			30 m													
B	10	09 47 39 00 010			AWG 22/1 solid			8 m			60	09 47 39 00 060			AWG 22/7 trailing			40 m													
	11	09 47 39 00 011			AWG 22/1 solid			9 m			61	09 47 39 00 061			AWG 22/7 trailing			50 m													
	12	09 47 39 00 012			AWG 22/1 solid			10 m			62	09 47 39 00 062			AWG 22/7 trailing			60 m													
	13	09 47 39 00 013			AWG 22/1 solid			15 m			63	09 47 39 00 063			AWG 22/7 trailing			70 m													
	14	09 47 39 00 014			AWG 22/1 solid			20 m			64	09 47 39 00 064			AWG 22/7 trailing			80 m													
	15	09 47 39 00 015			AWG 22/1 solid			30 m			65	09 47 39 00 065			AWG 22/7 trailing			90 m													
	16	09 47 39 00 016			AWG 22/1 solid			40 m			66	09 47 39 00 066			AWG 22/7 trailing			100 m													
	17	09 47 39 00 017			AWG 22/1 solid			50 m			67	09 47 39 00 067			AWG 22/7 "outdoor"			0,5 m													
	18	09 47 39 00 018			AWG 22/1 solid			60 m			68	09 47 39 00 068			AWG 22/7 "outdoor"			1 m													
	19	09 47 39 00 019			AWG 22/1 solid			70 m			69	09 47 39 00 069			AWG 22/7 "outdoor"			1,5 m													
C	20	09 47 39 00 020			AWG 22/1 solid			80 m			70	09 47 39 00 070			AWG 22/7 "outdoor"			2 m													
	21	09 47 39 00 021			AWG 22/1 solid			90 m			71	09 47 39 00 071			AWG 22/7 "outdoor"			3 m													
	22	09 47 39 00 022			AWG 22/1 solid			100 m			72	09 47 39 00 072			AWG 22/7 "outdoor"			4 m													
	23	09 47 39 00 023			AWG 22/7 stranded			0,5 m			73	09 47 39 00 073			AWG 22/7 "outdoor"			5 m													
	24	09 47 39 00 024			AWG 22/7 stranded			1 m			74	09 47 39 00 074			AWG 22/7 "outdoor"			6 m													
	25	09 47 39 00 025			AWG 22/7 stranded			1,5 m			75	09 47 39 00 075			AWG 22/7 "outdoor"			7 m													
	26	09 47 39 00 026			AWG 22/7 stranded			2 m			76	09 47 39 00 076			AWG 22/7 "outdoor"			8 m													
	27	09 47 39 00 027			AWG 22/7 stranded			3 m			77	09 47 39 00 077			AWG 22/7 "outdoor"			9 m													
	28	09 47 39 00 028			AWG 22/7 stranded			4 m			78	09 47 39 00 078			AWG 22/7 "outdoor"			10 m													
D	29	09 47 39 00 029			AWG 22/7 stranded			5 m			79	09 47 39 00 079			AWG 22/7 "outdoor"			15 m													
	30	09 47 39 00 030			AWG 22/7 stranded			6 m			80	09 47 39 00 080			AWG 22/7 "outdoor"			20 m													
	31	09 47 39 00 031			AWG 22/7 stranded			7 m			81	09 47 39 00 081			AWG 22/7 "outdoor"			30 m													
	32	09 47 39 00 032			AWG 22/7 stranded			8 m			82	09 47 39 00 082			AWG 22/7 "outdoor"			40 m													
	33	09 47 39 00 033			AWG 22/7 stranded			9 m			83	09 47 39 00 083			AWG 22/7 "outdoor"			50 m													
	34	09 47 39 00 034			AWG 22/7 stranded			10 m			84	09 47 39 00 084			AWG 22/7 "outdoor"			60 m													
	35	09 47 39 00 035			AWG 22/7 stranded			15 m			85	09 47 39 00 085			AWG 22/7 "outdoor"			70 m													
	36	09 47 39 00 036			AWG 22/7 stranded			20 m			86	09 47 39 00 086			AWG 22/7 "outdoor"			80 m													
	37	09 47 39 00 037			AWG 22/7 stranded			30 m			87	09 47 39 00 087			AWG 22/7 "outdoor"			90 m													
E	38	09 47 39 00 038			AWG 22/7 stranded			40 m			88	09 47 39 00 088			AWG 22/7 "outdoor"			100 m													
	39	09 47 39 00 039			AWG 22/7 stranded			50 m																							
	40	09 47 39 00 040			AWG 22/7 stranded			60 m																							
	41	09 47 39 00 041			AWG 22/7 stranded			70 m																							
	42	09 47 39 00 042			AWG 22/7 stranded			80 m																							
	43	09 47 39 00 043			AWG 22/7 stranded			90 m																							
	44	09 47 39 00 044			AWG 22/7 stranded			100 m																							
	45	09 47 39 00 045			AWG 22/7 trailing			0,5 m																							
	46	09 47 39 00 046			AWG 22/7 trailing			1 m																							
	47	09 47 39 00 047			AWG 22/7 trailing			1,5 m																							
F	48	09 47 39 00 048			AWG 22/7 trailing			2 m																							
	49	09 47 39 00 049			AWG 22/7 trailing			3 m																							
	50	09 47 39 00 050			AWG 22/7 trailing			4 m																							

 All Dimensions in mm Original Size DIN A 3	Techn. Character.			Nicht tolerierte Maß/Free size tolerances		
		Dat.	Name	 RJI cord 1xPush Pull overmolded, angled, 0°pos., 4xAWG22, IP67, CAT5		
		Detail.	02.08.06 RA			
		Insp.				
	Stand.					
DRS490A	06.04.09	MS	HARTING Electronics GmbH & Co. KG			TB 09 47 39 00 0xx
33681			D-32339 ESPELKAMP			
Mod.	Dat.	Name	Sub.			Blatt/ page 2/2

# Mouser Electronics

Authorized Distributor

Click to View Pricing, Inventory, Delivery & Lifecycle Information:

[HARTING:](#)

[09473900034](#) [09473900036](#) [09474000034](#)